



ANATECH ELECTRONICS INC
RF & Microwave Filters & Products

1 MHz LC Bandpass Filter

Part Number: AE1B4601



Electrical Specifications

Center Frequency: 1 MHz
Bandwidth: 0.35 MHz
Passband : 0.840 MHz to 1.19 MHz
Insertion Loss: $\leq 4.0\text{dB @ } 1\text{ MHz}$
Return Loss: $>14\text{dB}$
Rejection: $>40\text{dB @ } 0.710\text{ MHz}$
Rejection2: $>40\text{dB @ } 1.41\text{ MHz}$
Impedance: 50 Ohms

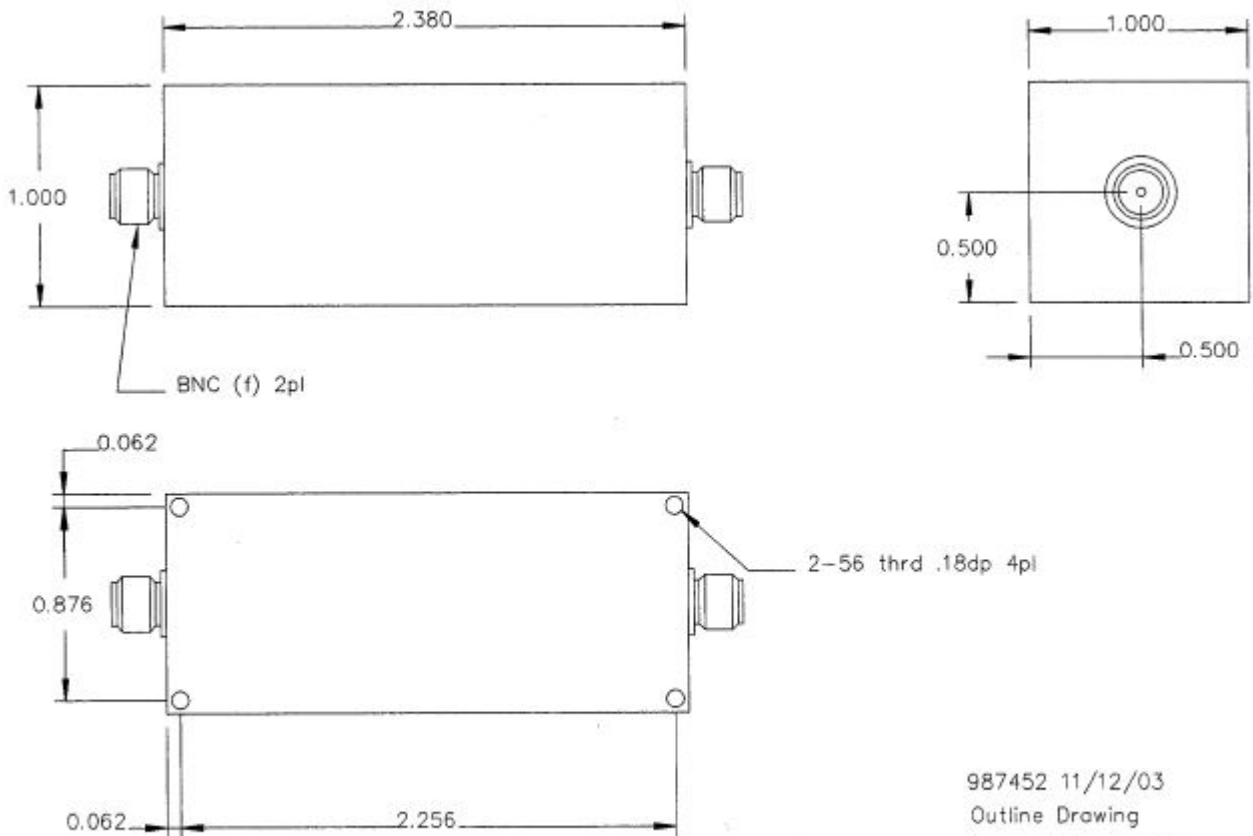
Mechanical

Mounting Method: Threaded Mounting
Connector Type: BNC(F)
Dimensions: 2.38" x 1.00" x 1.00" in.

Environmental

Operating Temperature: -25°C to $+70^{\circ}\text{C}$
Storage Temperature: -40°C to $+90^{\circ}\text{C}$
Shock: 10 G. 11ms
Vibration: 10 G. 5 to 200Hz

Outline Drawing:



987452 11/12/03
Outline Drawing
Anatech Electronics
(987007)

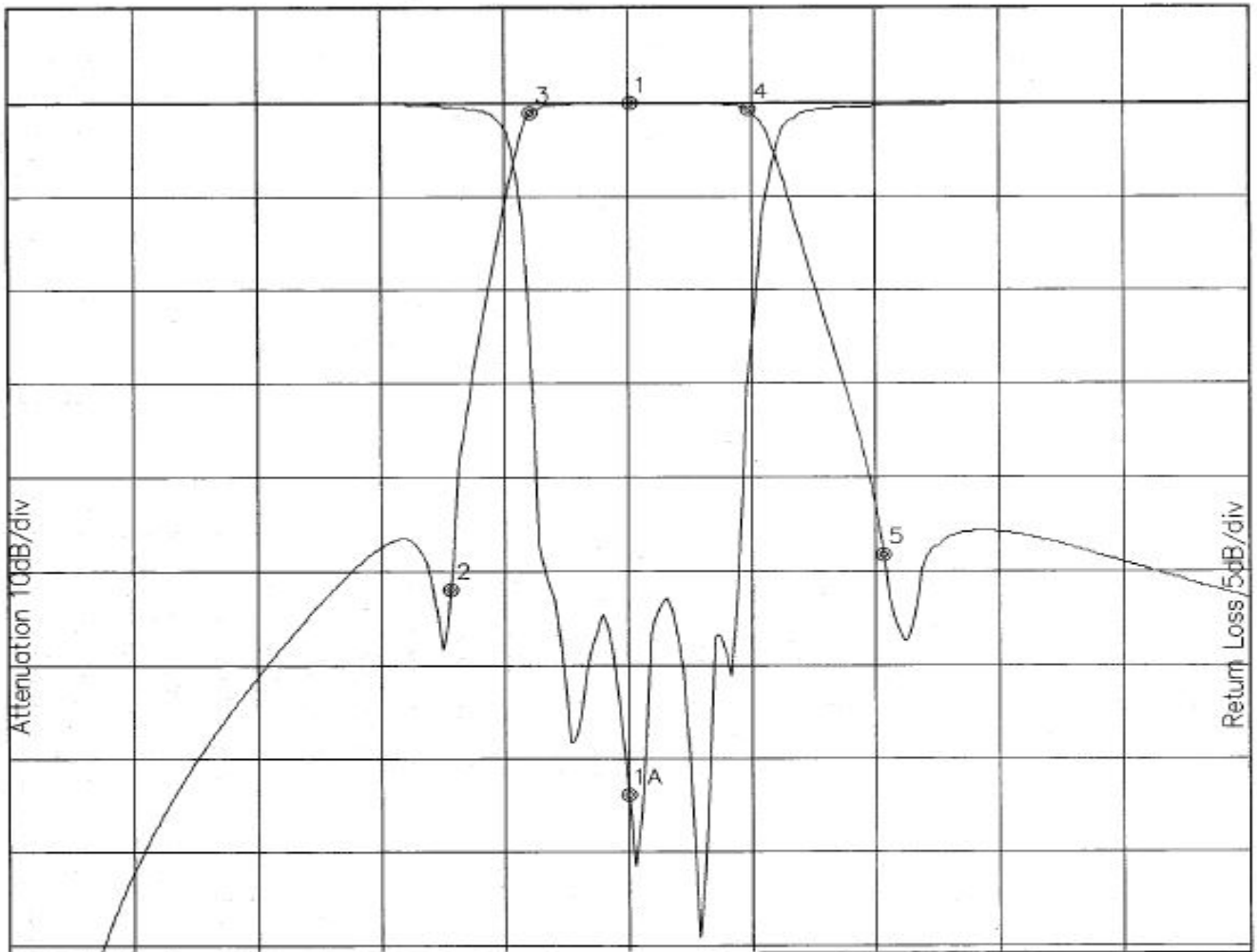


Response Plot:

B4601.lod

AUG 18, 2000

Attenuation/Return Loss



Attenuation Start: 0.0Hz Stop: 2.0MHz

Return Loss Start: 0.0Hz Stop: 2.0MHz

Offset: -0.6521dB

Marker 1 Freq 1.002MHz Atten 0.060dB

Marker 1A Freq 998.38kHz Ret Loss -36.966dB

Marker 2 Freq 710.82kHz Atten -52.003dB

Marker 3 Freq 840.06kHz Atten -1.069dB

Marker 4 Freq 1.192MHz Atten -0.667dB

Marker 5 Freq 1.412MHz Atten -48.258dB