

# Digi-Key Electronics

## SANYO DENKI

Date: Mar. 15, 2021  
 Technology Center  
 812-3 SHIMONOGOU, UEDA,  
 NAGANO 386-1211, JAPAN

**SANYO DENKI CO., LTD.**  
 COOLING SYSTEMS DIV.  
 DESIGN DEPT.  
 PHONE: +81 268 37 1721  
 FAX: +81 268 37 1734

### Notification of change : San Ace 60W (9WPA type)

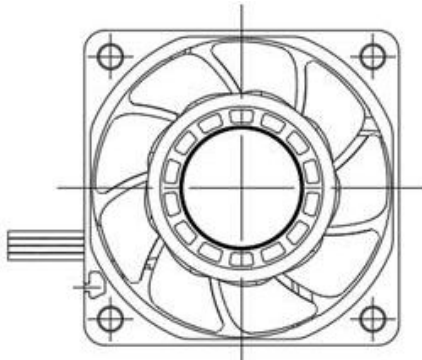
San Ace 60W (9WPA) series has a black patch attached to the top of blade. We will change the size of this patch to standardize the parts. This change has no effect on fan characteristics or reliability.

#### 1. Application models

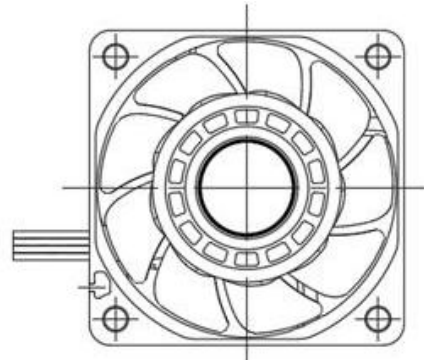
“San Ace 60W (9WPA type)” : 9WPA0612P4G003, 9WPA0624P4G003

#### 2. Change contents

The change in appearance due to resizing of the black patch. ( $\phi 23 \rightarrow \phi 18$ )



Appearance before change



Appearance after change

#### 3. Scheduled implementation date

We will apply this change from April 15<sup>th</sup> production.

We appreciate your understanding and cooperation.  
 Thank you.

Issued By

Yusuke Okuda  
 Design Engineer  
 Cooling Systems Division  
 Design Department

Approved By

Tomoaki Ikeda  
 Department Manager  
 Chief Engineer  
 Cooling Systems Division  
 Design Department