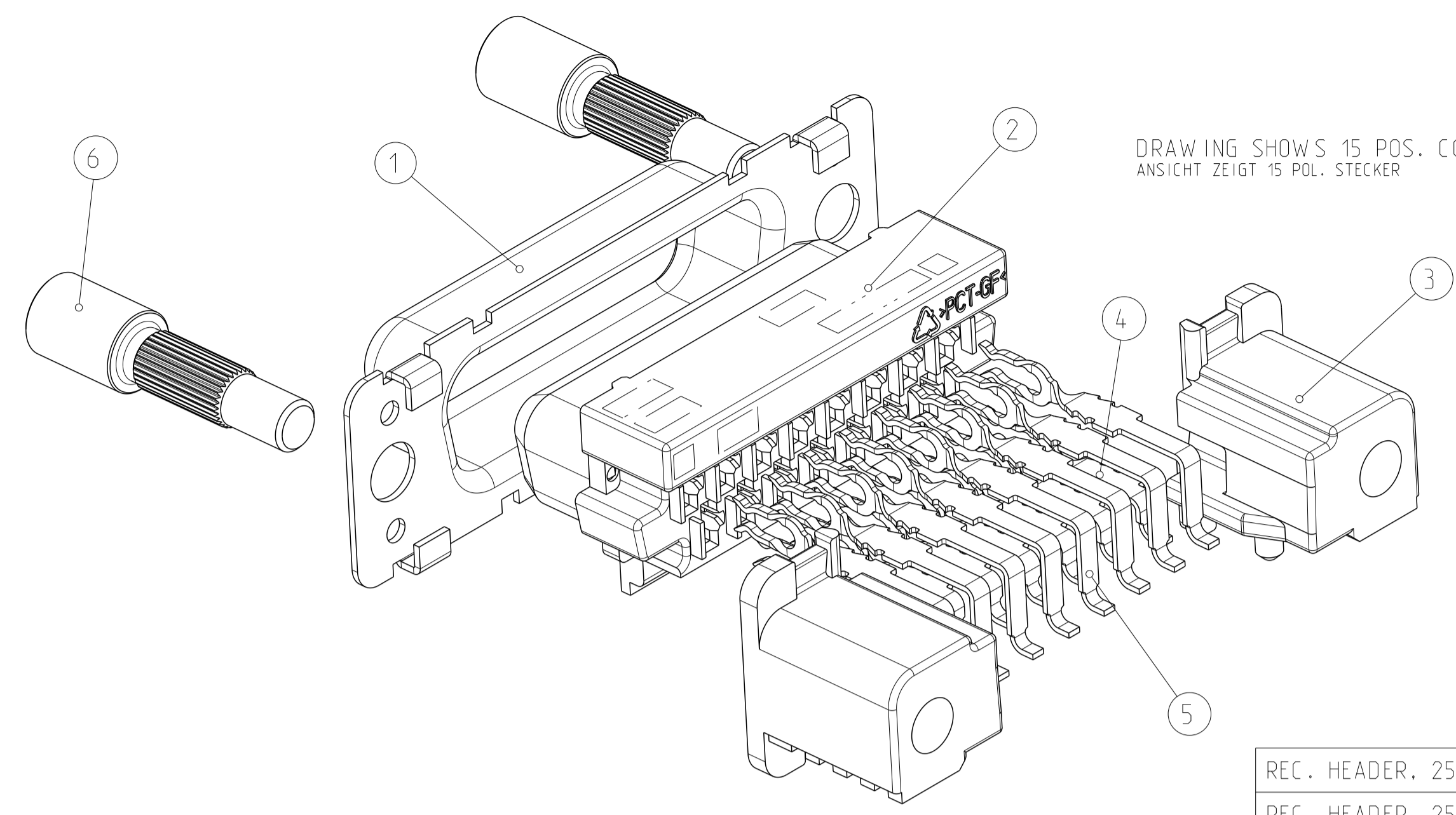
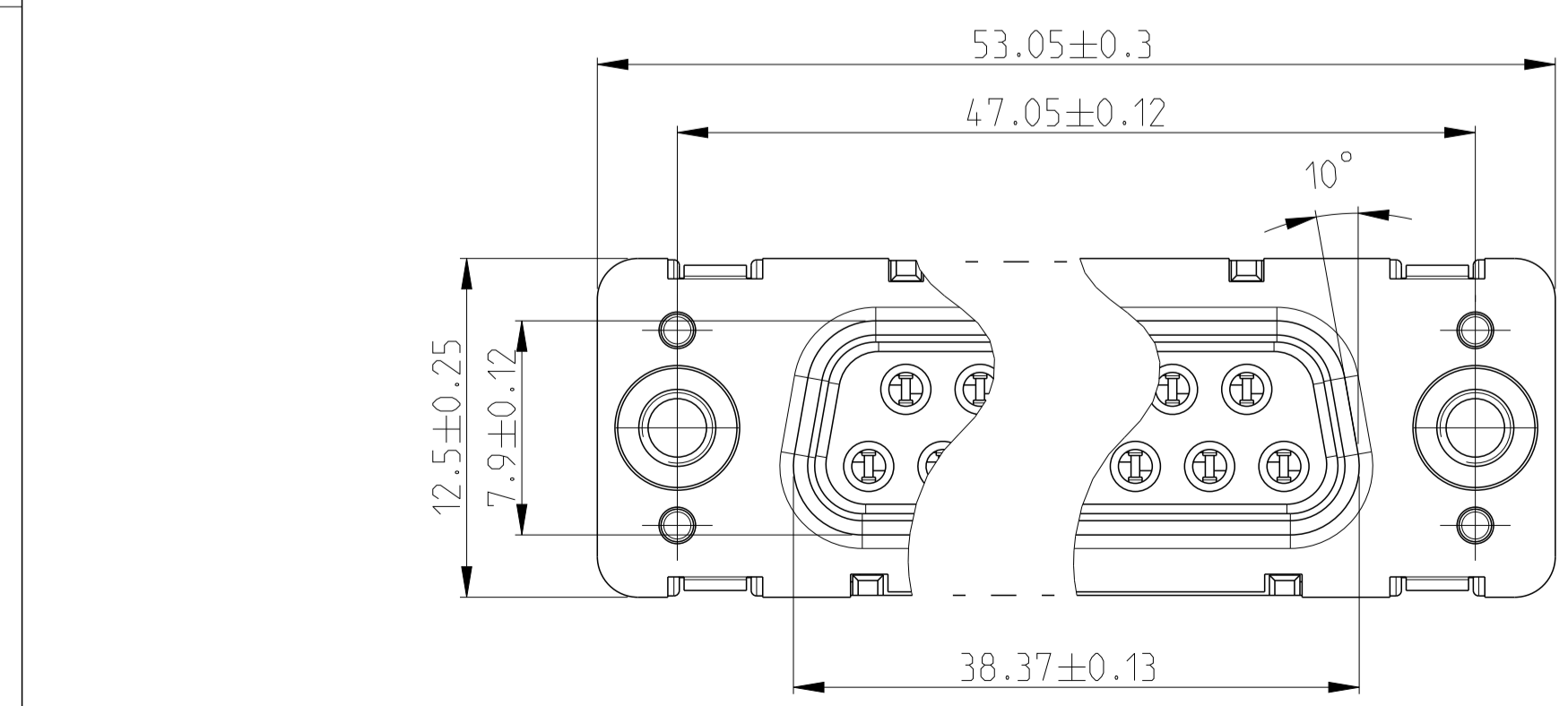
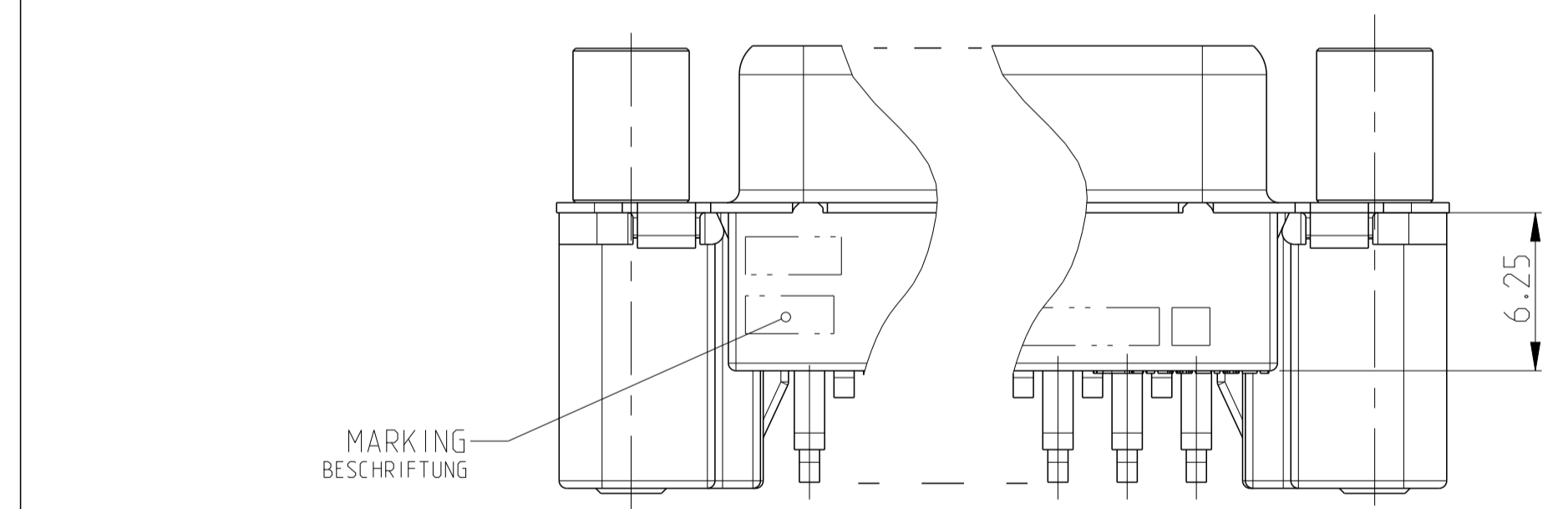
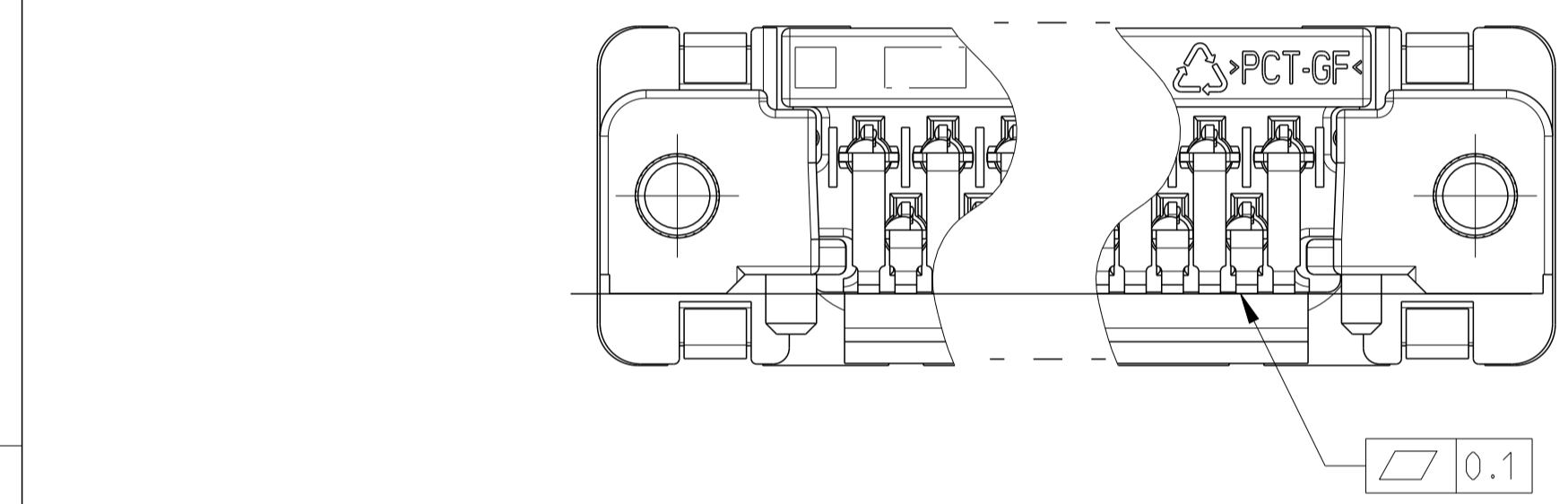
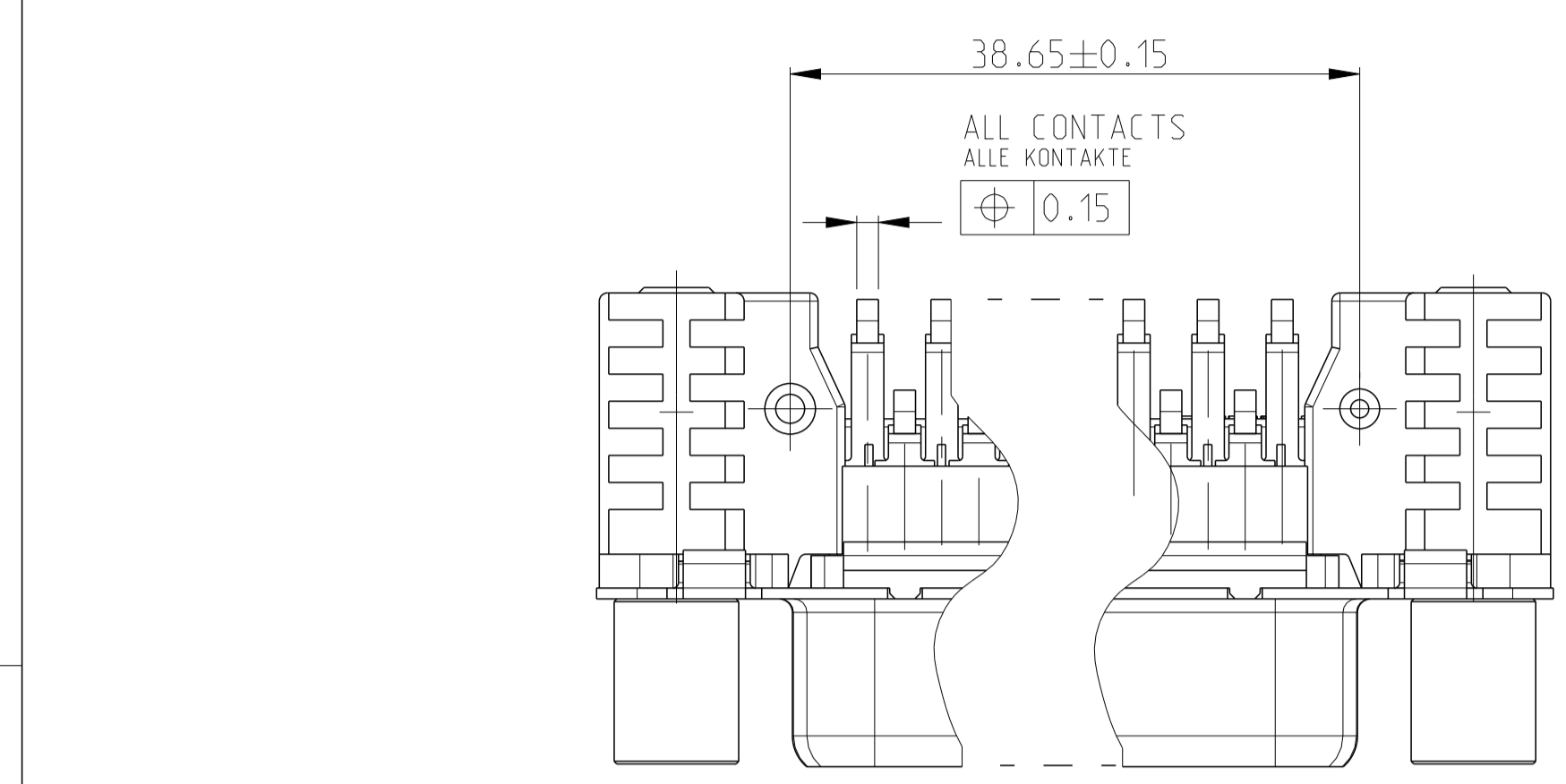


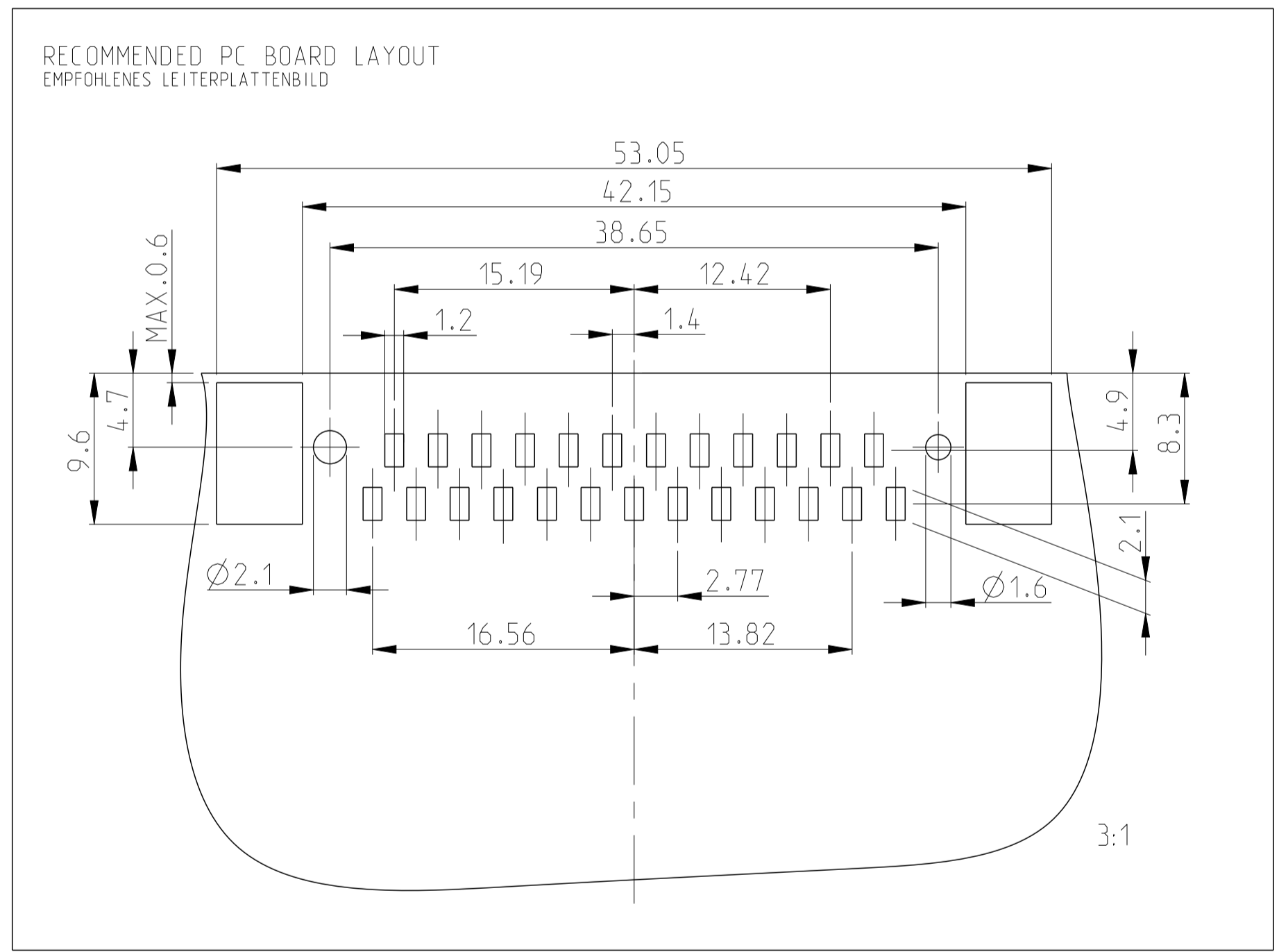
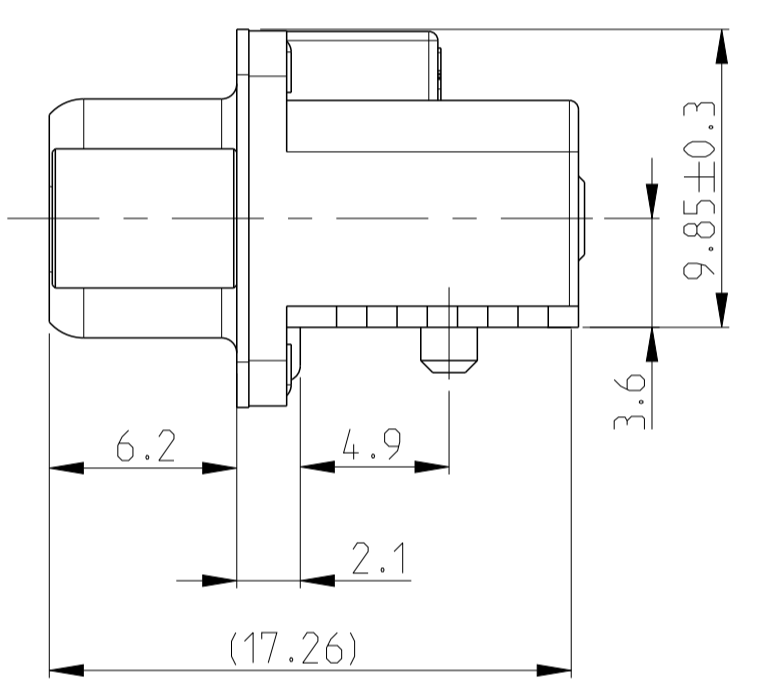
LOC	DIST	REV. LTR	DESCRIPTION	DATE	OWN	APVD
A1	-	C1	PCN-10-001404	06APR2010	FM	TK
		D	ECR-10-012464	29SEP10	RK	KMA
		E1	ECR-21-104031	06OCT2021	RR	SZ
		E2	REVISED PER ECN-22-135711	27MAY2022	AK	SZ



DRAWING SHOWS 15 POS. CONNECTOR
 ANSICHT ZEIGT 15 POL. STECKER

DESCRIPTION	SHELL PLATING: TIN OVER Ni	SHELL PLATING: Ni
REC. HEADER, 25 POS., STUD WITH THREAD M3	4-1740198-2	4-1740198-5
REC. HEADER, 25 POS., BRACKET WITH THREAD M3	2-1740198-2	2-1740198-5
REC. HEADER, 25 POS., STUD WITH THREAD UNC 4-40	3-1740198-2	3-1740198-5
REC. HEADER, 25 POS., BRACKET WITH THREAD UNC 4-40	1-1740198-2	1-1740198-5
REC. HEADER, 25 POS., BRACKET WITH HOLE Ø3.1	0-1740198-2	0-1740198-5

OBSOLETE
 OBSOLETE



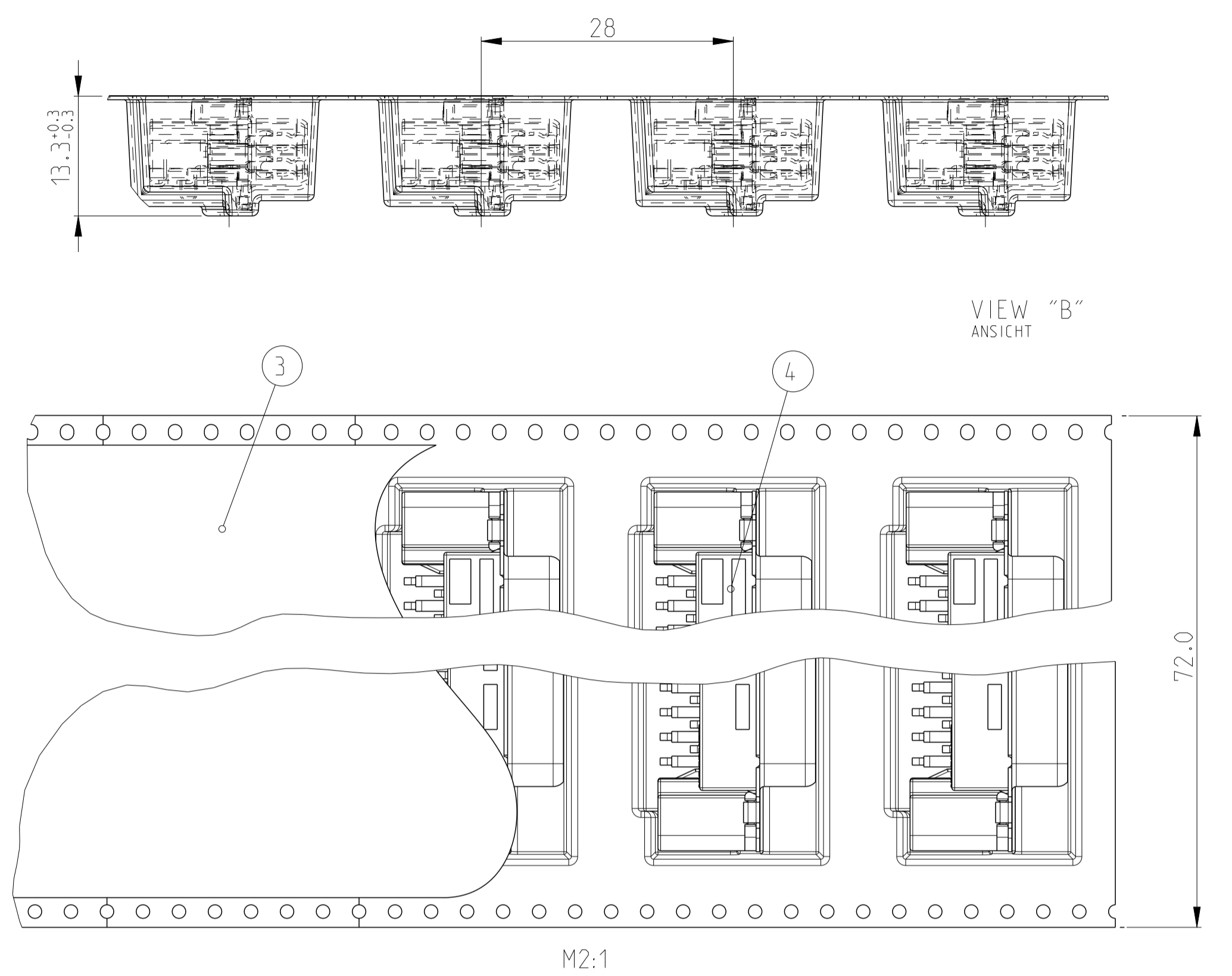
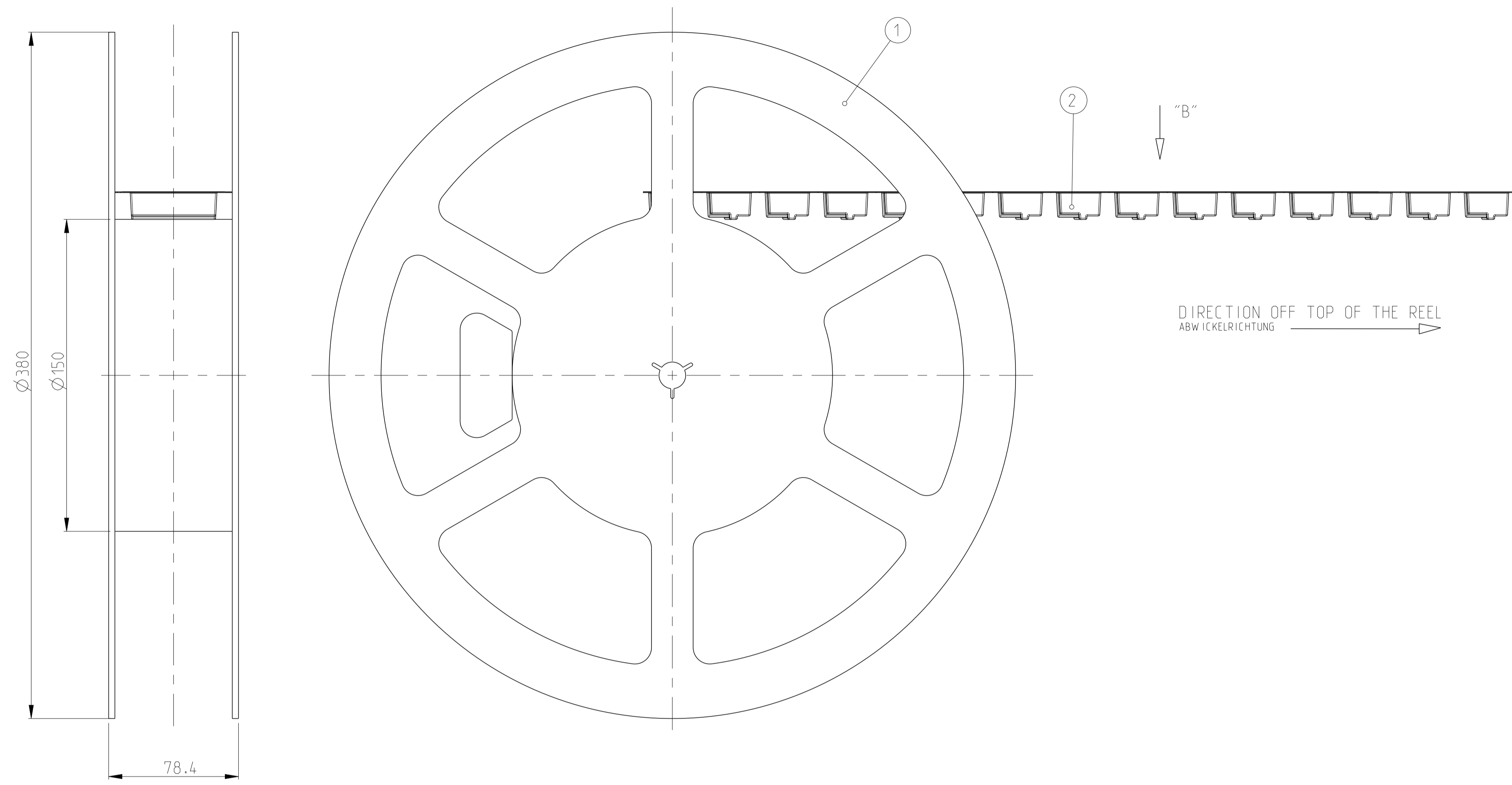
REMARKS:
 ⚠ CONTACT AREA: min. 0.8 µm Au OVER 1.27 µm Ni.
 SOLDER AREA: 3-5 µm Sn OVER min. 1.27 µm Ni
 2 PACKAGING SEE SHEET 2
 3 CONNECTOR SUITABLE FOR LEAD-FREE SMT SOLDER PROCESS
 ⚠ TIN OVER NICKEL

BEMERKUNGEN:
 ⚠ KONTAKTBEREICH: min. 0.8 µm Au UEBER 1.27 µm Ni.
 LOETBEREICH: 3-5 µm Sn UEBER min. 1.27 µm Ni
 2 VERPACKUNGSART SIEHE BLATT 2
 3 STECKER GEEIGNET FUER BLEIFREIES SMT LOETEN
 ⚠ ZINN UEBER NICKEL

POS.	QTY.	DESCRIPTION BENENNUNG	SURFACE OBERFLAECHE COLOUR/FARBE	MATERIAL
6	2	THREAD STUD GEWINDEBOLZEN	NICKEL	STEEL STAHL
5	13	REC. CONTACT, SMD, LONG BUCHSENKONTAKT, SMD, LANG	⚠	CuMg
4	12	REC. CONTACT, SMD, SHORT BUCHSENKONTAKT, SMD, KURZ	⚠	CuMg
3	2	BRACKET, SMD, LEFT/RIGHT WINKELSTUECK, SMD, LINKS/RECHTS	⚠	CAST METAL DRUCKGUSS
2	1	REC. HOUSING BUCHSENGEHAUESE	BLACK SCHWARZ	PCT-GF
1	1	SHELL SCHIRMBLECH	SEE TABLE SIEHE TABELLE	STEEL STAHL

THIS DRAWING IS UNPUBLISHED RELEASÉ FOR PUBLICATION FÜR TAGE VERÖFFENTLICHUNG COPYRIGHT 2004 BY TYCO ELECTRONICS CORPORATION. ALL RIGHTS RESERVED. ALLE RECHTE VORBEHALTEN.	OWN: LLSCHLUETER CHK: M.SCHAARSCHMIDT DATE: 01DEC2004 PRODUCT SPEC: 108-94.000 APPLICATION SPEC:	DWN: 30NOV2004 CHK: M.SCHAARSCHMIDT DATE: 01DEC2004 PRODUCT SPEC: 108-94.000 APPLICATION SPEC:	Tyco Electronics AMP GmbH 64625 Bensheim (Germany)
DIMENSIONS: MASSENHEITEN: (MM)	TOLERANCES UNLESS OTHERWISE SPECIFIED: ALLGEMEINTOLERANZEN	NAME: HDP20 REC. HEADER, SMT, 25 POS. HDP20 BUCHSENSTECKER, SMT, 25 POL. EUROSTYLE	SCALE: 4:1 SHEET: 1 OF 2 REV: E2
MATERIAL: SEE TABLE S-TABELLE	FINISH/SURFACE COLOUR/FARBE: SEE TABLE S-TABELLE	SIZE: A1 CAGE CODE: 00779 DRAWING NO.: 1740198	RESTRICTED TO: NUR FUER

LOC	DIST	REV	DATE	BY	APPV
A1	-	1	-	-	-



REMARKS:

- COVER TAPE WITH BLISTER BELT WELDED OR PASTED
- BLISTER BELT, COVER AND TAPE ACC. TO DIN/IEC 286 PART 3
- FIRST AND LAST RUNNING OF THE CARRIER TAPE ACC. TO DIN/IEC 286 PART 3
- 6.4m BLISTERBELT AND 6.5m COVER TAPE, 200 LOOSE PIECE PARTS

BEMERKUNGEN:

- ABDECKBAND MIT BLISTERGURT VERSCHWEISST ODER VERKLEBT
- BLISTERGURT, ABDECKBAND UND REEL NACH DIN/IEC 286 TEIL 3
- VOR- UND NACHLAUF AM BLISTERGURT NACH DIN/IEC 286 TEIL 3
- 6.4m BLISTERGURT UND 6.5m ABDECKBAND, 200 EINZELTEILE

TE ORDER NO. BESTELL-NR.	POS.	PARTS					DESCRIPTION BENENNUNG	SURFACE OBERFLAECHE COLOUR/FARBE	MATERIAL
		4-1740198-2	3-1740198-2	2-1740198-2	1-1740198-2	0-1740198-2			
1740198	4	200	-	-	-	-	SUB-D REC. HEADER, 25 POS., STUD M3 SUB-D BUCHSENSTECKER, 25 POL., BOLZEN M3	-	-
	4	-	200	-	-	-	SUB-D REC. HEADER, 25 POS., STUD UNC4-40 SUB-D BUCHSENSTECKER, 25 POL., BOLZEN UNC4-40	-	-
	4	-	-	200	-	-	SUB-D REC. HEADER, 25 POS., M3 SUB-D BUCHSENSTECKER, 25 POL., M3	-	-
	4	-	-	-	200	-	SUB-D REC. HEADER, 25 POS., UNC4-40 SUB-D BUCHSENSTECKER, 25 POL., UNC4-40	-	-
	4	-	-	-	-	200	SUB-D REC. HEADER, 25 POS. SUB-D BUCHSENSTECKER, 25 POL.	-	-
	3	6.5m	6.5m	6.5m	6.5m	6.5m	COVER BELT FOR BLISTER BELT ABDECKBAND FUER BLISTERGURT	TRANSPARENT	PET
	2	6.4m	6.4m	6.4m	6.4m	6.4m	BLISTER BELT BLISTERGURT	GREY/BLACK GRAU/SCHWARZ	PS
1	1	1	1	1	1	REEL-PACKING MEHRWEGSPULE	GREY GRAU	PS	

DIMENSIONS: mm 	TOLERANCES UNLESS OTHERWISE SPECIFIED: 0 PLC ± 1 PLC ± 2 PLC ± 3 PLC ± 4 PLC ± ANGLES ±°	DWN L. SCHLUETER 30NOV2004 CHK M. SCHAARSCHEMIDT 01DEC2004 APVD G. FELDMEIER 01DEC2004 PRODUCT SPEC 108-94000 APPLICATION SPEC - WEIGHT - CUSTOMER DRAWING	Tyco Electronics AMP GmbH 64625 Bensheim (Germany) NAME HDP20 REC. HEADER, SMT, 25 POS. HDP20 BUCHSENSTECKER, SMT, 25 POL. EUROSTYLE SIZE 00779 CAGE CODE 1740198 SCALE 1:1 SHEET 2 OF 2 REV E2
-----------------------	--	--	--