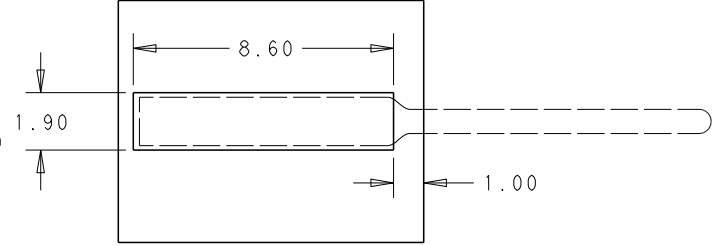
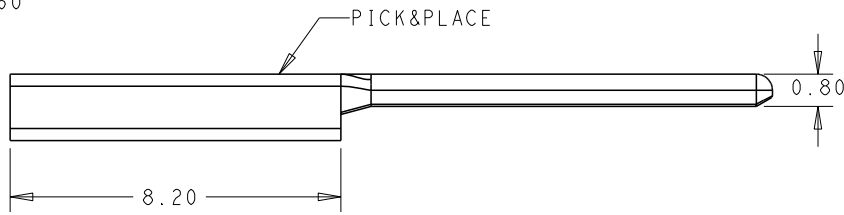
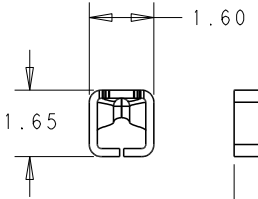
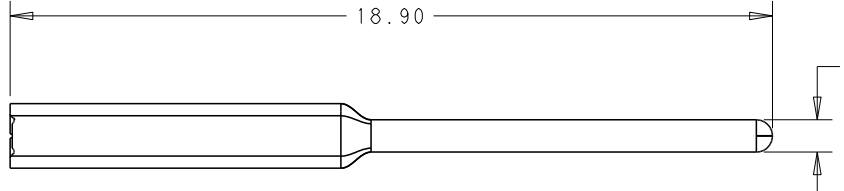


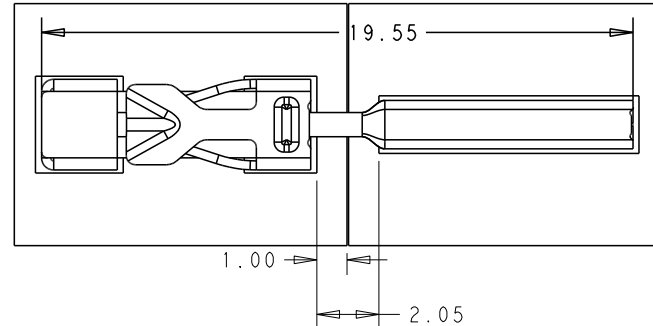
REVISIONS					
P	LTR	DESCRIPTION	DATE	DWN	APVD
	A	FIRST VERSION	04AUG2016	G.F	S.M
	A1	ECR-19-018938 UPDATE THE FILE ATTRIBUTES	06DEC2019	G.F	S.M

NOTES :

1. MATERIALS AND FINISH:
CONTACTS: COPPER ALLOY, FINISH: TIN OVER NICKEL UNDERPLATE
2. MUST COMPLY WITH DIRECTIVE 2002/95/EC (ROHS)
3. PACKAGED TYPE:TAPE AND REEL



RECOMMENDED PCB LAYOUT



BTB MATING WITH RECEPTACLE P/N:2834167-3

SCALE 8:1

THIS DRAWING IS A CONTROLLED DOCUMENT.		DWN	04AUG2016		STE TE Connectivity		
		CHK	04AUG2016				
		APVD	04AUG2016				
		NAME	XU XIANG				
DIMENSIONS: mm		PRODUCT SPEC	108-137166		NAME	SMT BTB SLIMCONTACT Miniature	
TOLERANCES UNLESS OTHERWISE SPECIFIED:		APPLICATION SPEC	114-137166		SIZE	CAGE CODE	DRAWING NO
0 PLC ±-		WEIGHT	-		A3	-	©=2834172
1 PLC ±0.20		CUSTOMER DRAWING		SCALE	4:1	SHEET	1 OF 1
2 PLC ±0.13				REV	A1		
3 PLC ±							
4 PLC ±							
ANGLES ±-							
FINISH -							
MATERIAL SEE NOTE							