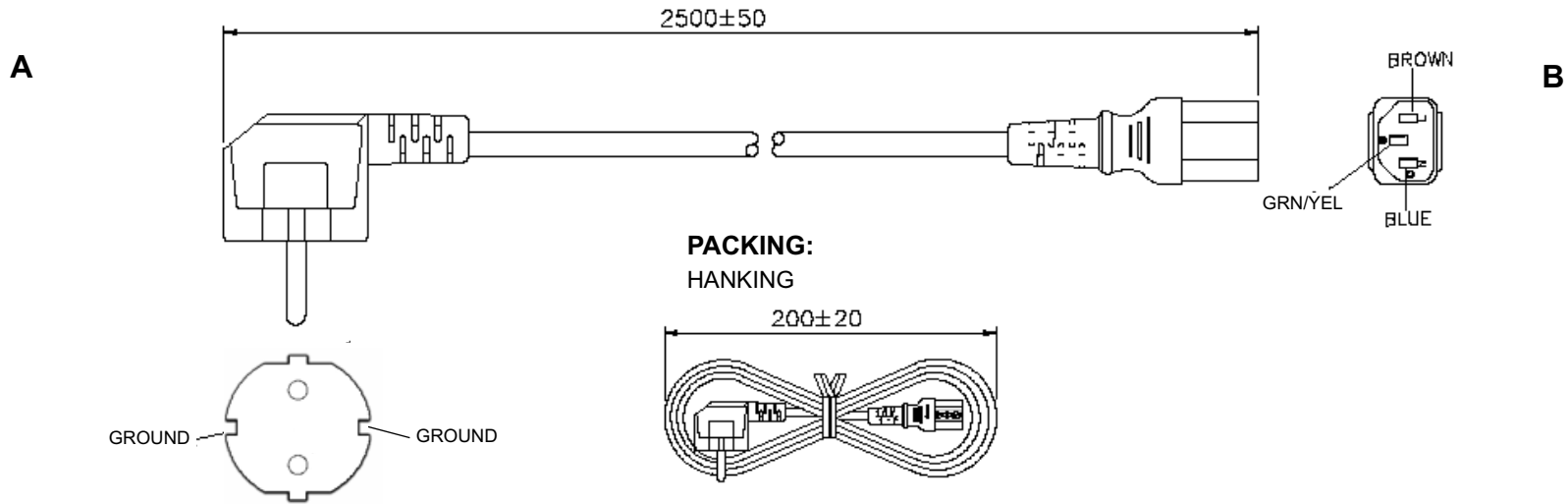


PROPRIETARY INFORMATION:
 PROPRIETARY OF GLOBTEK, INC. ANY REPRODUCTION, DISCLOSURE OR USE OF THIS DRAWING, IN WHOLE OR IN PART, IS HEREBY PROHIBITED EXCEPT AS SPECIFIED IN WRITING BY GLOBTEK, INC.

REVISION			
REV	DESCRIPTION	DATE	APPROVED
A	INITIAL RELEASE, RFS. 19953, EM	11/15/10	HM
B	UPDATE CABLE TYPE TO H05VVF, RFS. 20227, EM	01/03/11	HM
C	UPDATE CABLE TYPE TO 3x1.0, & KOREAN APPROV., RFS. 20248, EM	01/18/11	HM
D	UPDATE KOREAN PLUG PICTURE TO YP-22K, RFS. 22621, EM	03/21/12	HM



GENERAL SPECIFICATIONS:

RATING: 10A / 250V AC
 CABLE TYPE / SIZE: H05VVF 3 x 1.0 mm²
 TEMPERATURE RATING: 60°C
 CONDUCTOR COLORS: BROWN / BLUE/ GREEN-YELLOW
 CABLE JACKET COLOR: BLACK
 OVERALL LENGTH (L): 2500 ± 50 mm
 CABLE OUTER DIAMETER: 8.5 ± 0.2 mm
 END 'A' PLUG; KOREA KS C 8305 PIN Ø4.8 mm, YP-22K
 END 'B' IEC-320 / C13
 APPROVALS PLUG: KC
 APPROVALS CABLE: KC
 APPROVALS CONNECTOR: KC

NOTES:

1. CORD, PLUG AND CONNECTOR MUST BE MARKED WITH APPROVAL SYMBOLS OR FILE NUMBER(S).



DASH NO.	PART NO	REV.	DESCRIPTION	NOTES
TABULATION BLOCK				
		TOLERANCES: DECIMALS ANGULAR .xx +/- 0.1 +/- 1° .xxx +/- .005		GlobTek, Inc. www.globtek.com 186 Veterans Dr. Northvale, NJ 07647 Tel. 201-784-1000 Fax 201.784.0111
		MILLIMETERS ANGULAR .xx +/- 0.3 +/- 1° .xxx +/- .013		
INIT.BY: EM	DATE: 11/15/10	DWG TITLE: KOREAN POWER CORD, 3 x 1.0 mm ² , H05VVF		REV. D
DRAWN: NF	DATE: 11/15/10	FSCN No.: G, CC	SIZE A	
APRVD: HM	DATE: 11/15/10	SCALE: NONE	PART NO: 2313K3432M5701(R)	SHEET 1/1

Foot Note:
 Globtek Inc. will not be liable for the safety and performance of these power product if unauthorized access and repair occurs. End user should consult the applicable UL, CSA or EN Standards for proper installation instruction.

Limitation of Use:
 Globtek product are not authorized for use as mission critical components in life support, hazardous environment, nuclear or aircraft applications without prior written approval from the CEO of Globtek Inc.

Contents of this document are subject to change without prior notice