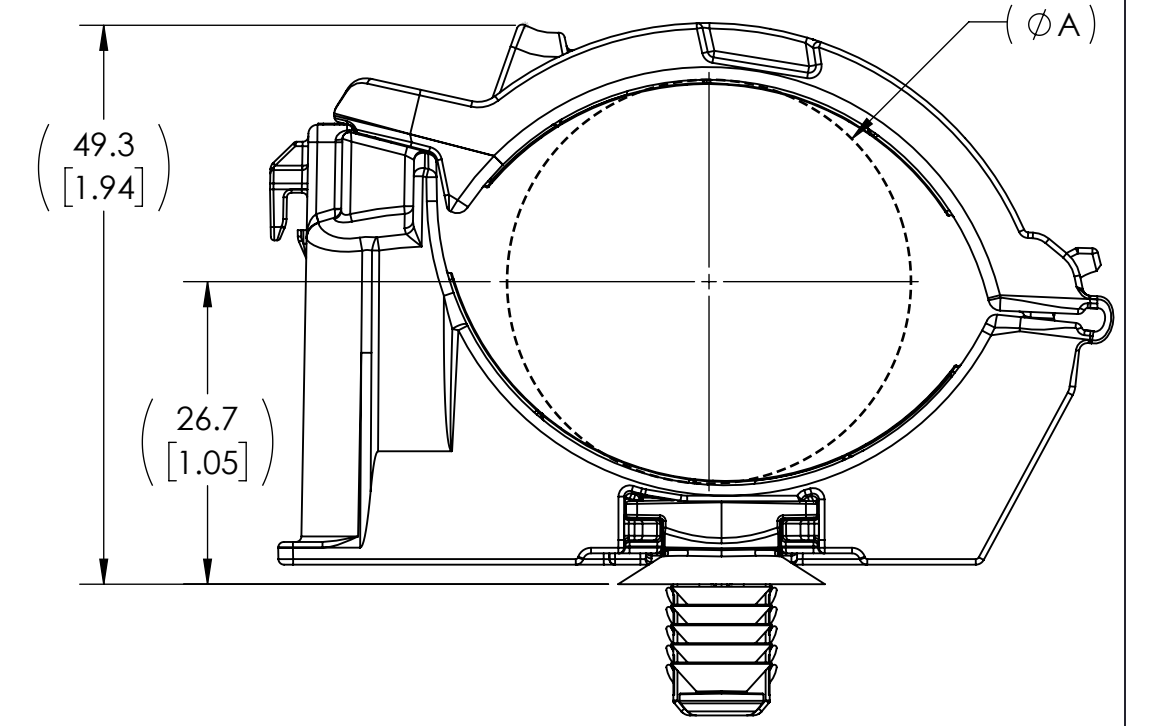
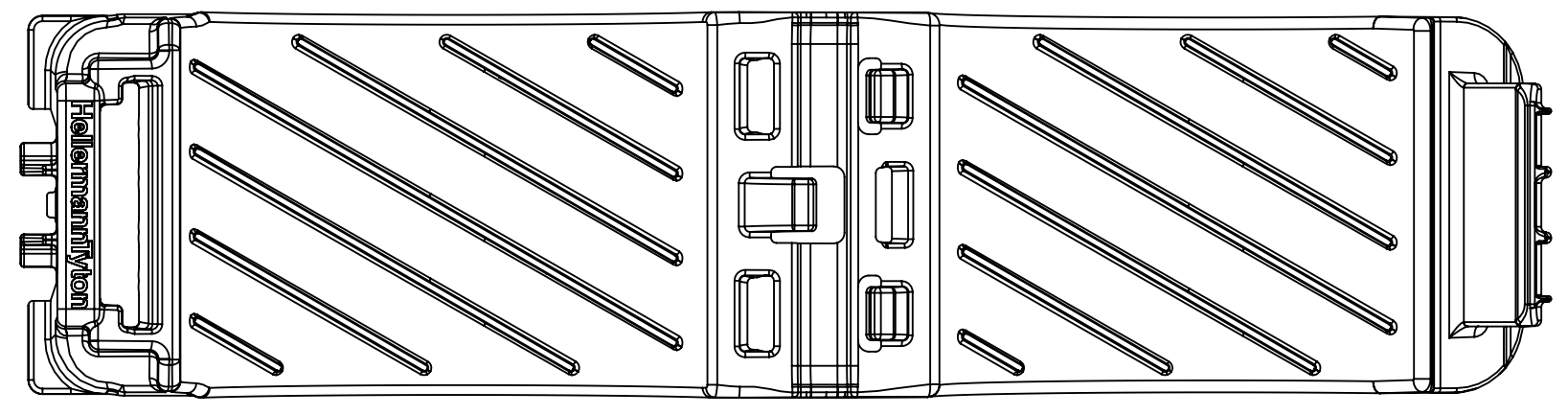
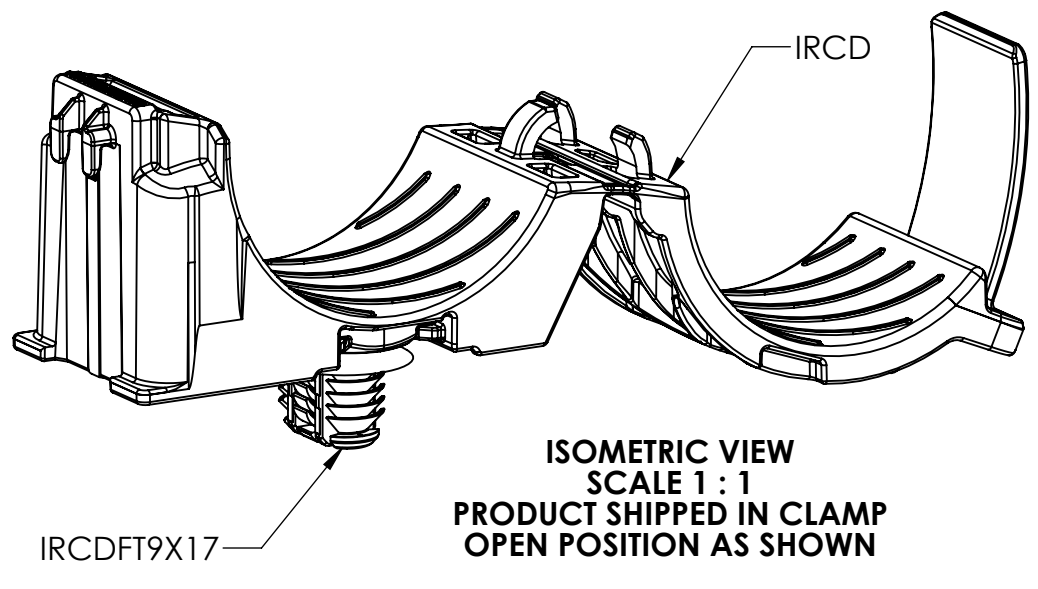
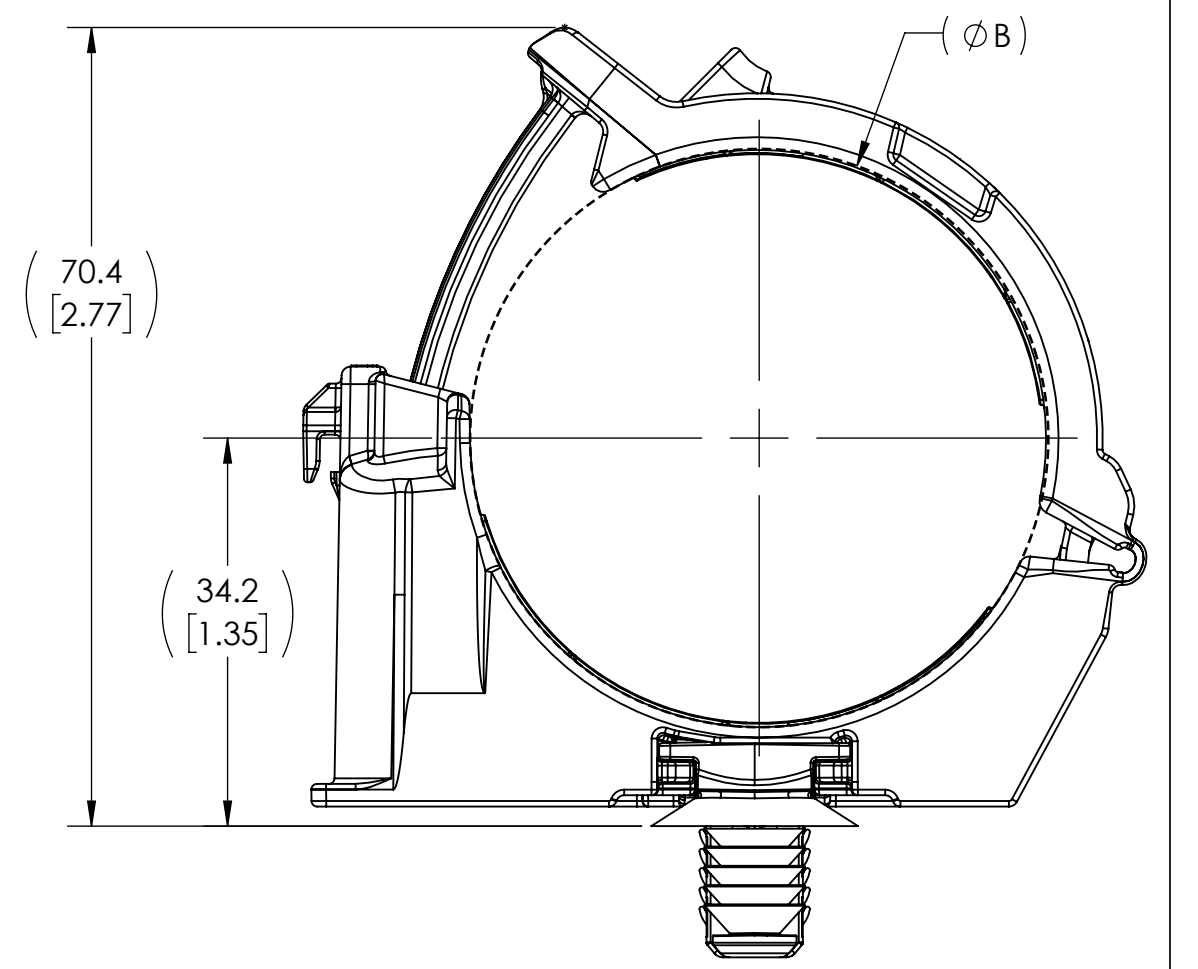
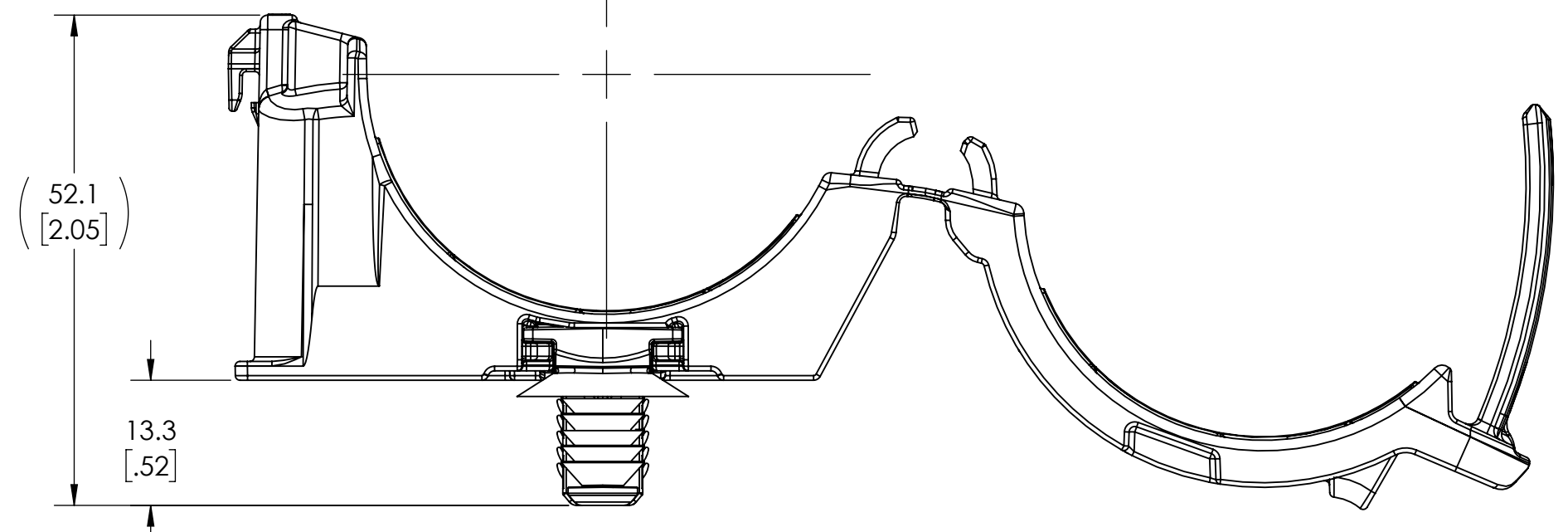
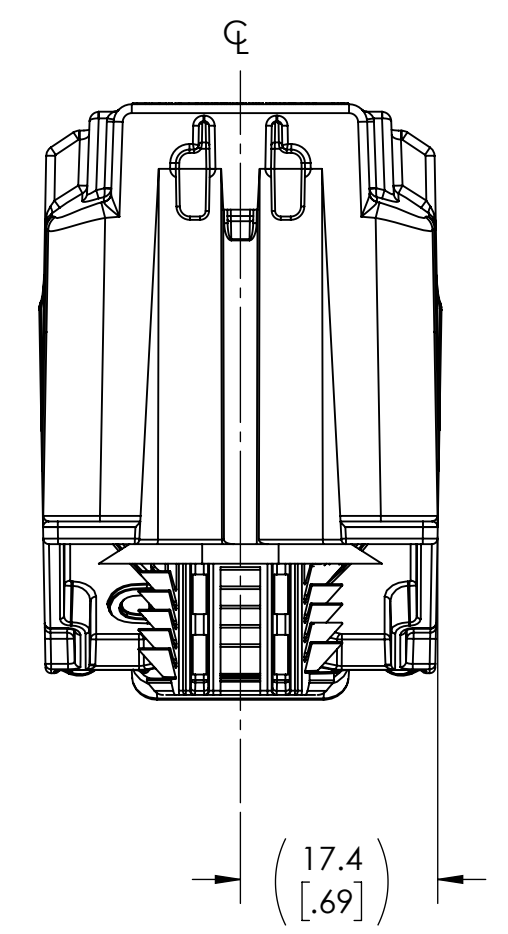


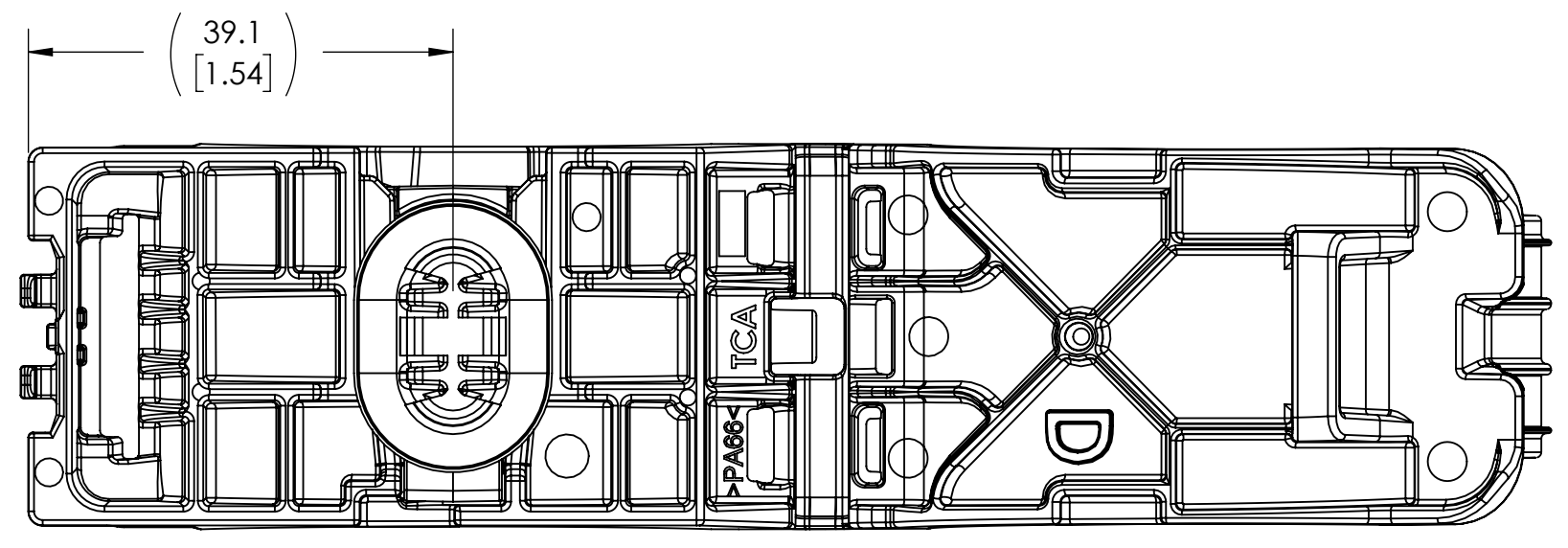
Revision level			Revision Record	Changed	Date	Approved	Date
Drawing	State	Part					
00.0	Design Release		SEE ECN# 015255	MHT	06/28/2019	CTF	06/28/2019



MINIMUM BUNDLE DIAMETER




MAXIMUM BUNDLE DIAMETER



- REFERENCE:**
- SHEET METAL THICKNESS RANGE: 0.60mm - 6.75mm
 - APPLICABLE HOLE SIZE:
A. 9.0 X 17.0mm +0.2/-0.4

GLOBAL PART DESCRIPTION	BUNDLE TYPES	(A) MINIMUM DIAMETER	(B) MAXIMUM DIAMETER	IRCD CLAMP			IRCFT9X17 CONNECTOR CLIP		
				DRAWING	MATERIAL	COLOR	DRAWING	MATERIAL	COLOR
IRCDF9X17-PA66HIRHSUV-BK	SOFT	36.0 [1.42]	51.0 [2.00]	16-1642-004-CSU	PA66HIRHSUV	BLACK	16-1645-040-CSU	PA66HIRHSUV	BLACK
	HARD	35.2 [1.39]	49.9 [1.96]						

Notes	Material SEE CHART	Units: millimeters Dimension without tolerances details to: .xxx = ±.013 .xx = ±.13 .x = ±.3 None = ±.8 < = ±0.5*	The copyright of this drawing is reserved by HellermannTyton. It is issued on condition that it is not reproduced, copied, or disclosed to a third party, either wholly or in part, without the consent of HellermannTyton.	Drawn	MHT	06/24/2019	Article/Type-No IRCDF9X17	Scale 3:2				
				Approved	CTF	06/24/2019						
				 North America Email: corp@htamericas.com Web: www.hellermann.tyton.com					Title	INLINE RATCHET P-CLAMP D WITH 9X17mm OVAL FIR TREE		Project Number PRP19-0337
									Drawing-No	19-0337-104-CSU		Production : Phase
								Sheet 1/1				