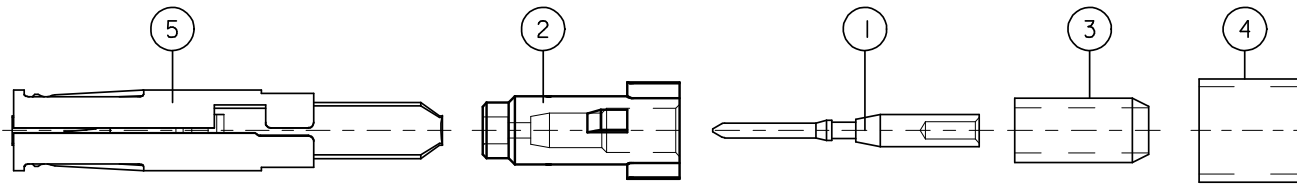


COMPONENT	DESCRIPTION
1 HOUSING	POLYAMIDE (PA46) 45% GLASS FILL, UL94
2 SIGNALS	MATERIAL: 0.25mm PHOSPHOR BRONZE PLATING: 0.10um MIN. GOLD FLASH ON 1.0um MIN. PALLADIUM NICKEL, WITH 1.27-2.50um NICKEL UNDERPLATE 3-5um TIN MIN. IN SOLDER CUP AREA
3 RF KIT	CENTRE PIN: BRASS, PLATING: Sn OVER NICKEL DIELECTRIC INNER FERRULE: PC BRASS, PLATING: Sn OVER NICKEL OUTER FERRULE: BRASS, PLATING: Sn OVER NICKEL SHIELD: PHOSPHOR BRONZE, PLATING: Ni UNDERPLATE ALLOVER, AU FLASH OVER PALLADIUM NICKEL IN THE CONTACT AREA, TIN IN THE CRIMP ZONE

- NOTES:
1. CIRCUIT NUMBERS IDENTIFIED FOR MEASUREMENT PURPOSES
 2. 0.25° DRAFT ANGLE ALLOWED ON ALL FACES UNLESS OTHERWISE STATED
 3. UNSPECIFIED RADII TO BE 0.20mm MAX
 4. MOLEX I.D. AND CAVITY NO. LO HIGH-RAISED 0.1 WHERE SHOWN
 5. SEE PRODUCT SPECIFICATION No. PS-99020-0086
 6. RF KIT NO. 90853-0001. SEE SDA-90853.

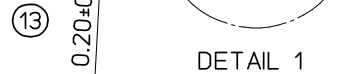
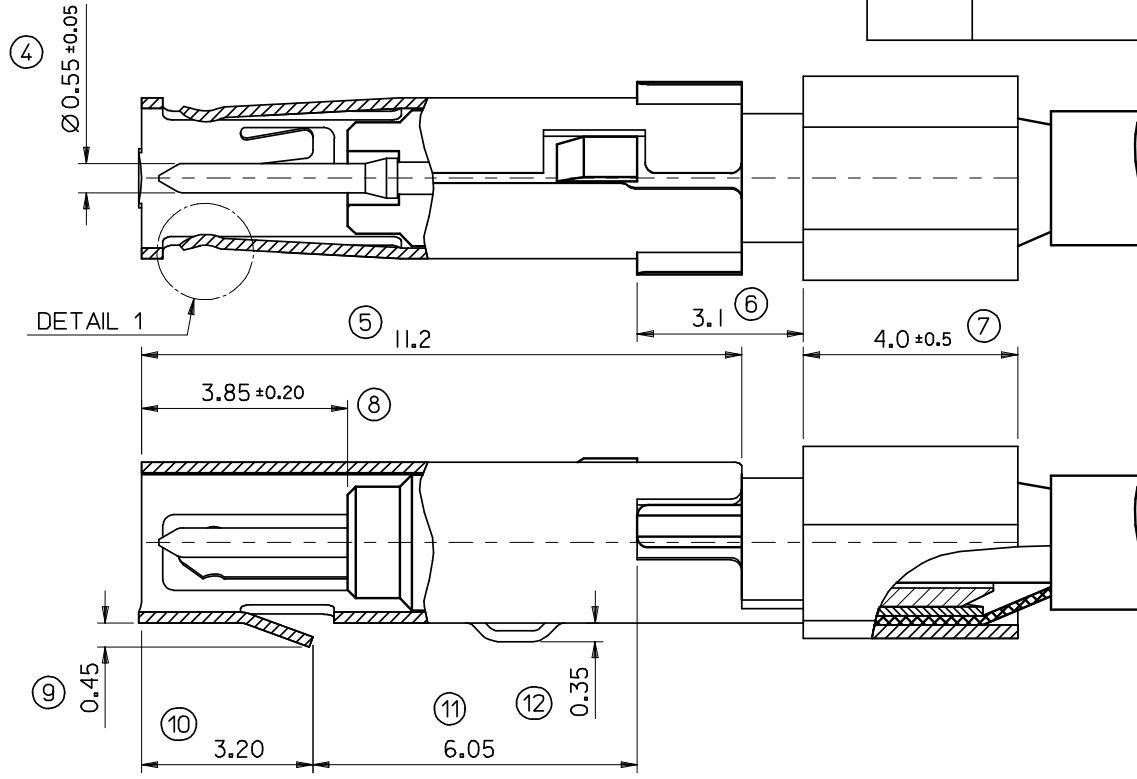
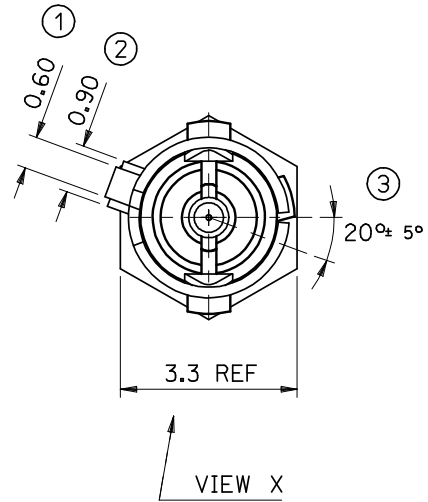
ASSEMBLY NO.	HOUSING PART NO.	RF CORING CONFIG	C-SHAPE PEG	INCLUDING RF KIT
91229-1004	91229-0001	RF	YES	YES
91229-1005	91229-0002	VOID	YES	NO
91229-1006	91229-0003	VOID	NO	NO
91229-1007	91229-0003	RF	NO	YES

MODIFY MATERIAL EC INC. E2005-036 DRIVING CARTON 2005/03/02 CHECKED 2005/06/10 APPROVED/AN 2005/06/12	QUALITY SYMBOLS	GENERAL TOLERANCES (UNLESS SPECIFIED)	DIMENSION STYLE	SCALE	DESIGN UNITS	FIRST ANGLE PROJECTION
	$\nabla = 2$ $\nabla = 0$	4 PLACES \pm --- \pm --- 3 PLACES \pm 0.05 \pm --- 2 PLACES \pm 0.05 \pm --- 1 PLACE \pm 0.10 \pm --- ANGULAR \pm 2°	IN/MM DRAWN BY DATE CTGB IN 99/06/09 CHECKED BY DATE FUGGAN 99/06/09 APPROVED BY DATE EFOLAN 99/06/09	1:1	INCH	MOLEX INCORPORATED SYSTEM CONNECTOR CRADLE HOUSING SUB ASSEMBLY
	DRAFT WHERE APPLICABLE MUST REMAIN WITHIN DIMENSIONS	MATERIAL NO. SEE CHART DOCUMENT NO. SD-91229-001	SHEET NO. 1 OF 1			
	THIS DRAWING CONTAINS INFORMATION THAT IS PROPRIETARY TO MOLEX INCORPORATED AND SHOULD NOT BE USED WITHOUT WRITTEN PERMISSION					



APPLICATION INFORMATION

PARTS LIST		
ITEM	DESCRIPTION	MATERIAL/FINISH
1	CENTRE PIN	BRASS, Au OVER NI
2	DIELECTRIC	PC
3	INNER FERRULE	BRASS, Sn OVER Cu
4	OUTER FERRULE	BRASS, Sn OVER Cu
5	SHIELD	PHOSPHOR BRONZE, NI UNDERPLATE ALLOVER, AU FLASH OVER PdNI IN THE CONTACT ZONE, Sn IN THE CRIMP ZONE



VIEW X

NOTES:
 1. PARTS ARE SUPPLIED BULK PACKAGED.
 2. SEE SHEET 2 FOR ASSEMBLY INSTRUCTIONS.
 LAST INSPECTION No: 13

REV	DESCRIPTION
D	ADDED DETAIL 1
	EC NO: E2008-0262
	DRWN:DCARTON 2008/03/20
	CHKD: 2008/03/20
	APPR:BMAGUIRE 2008/03/20

QUALITY SYMBOLS	DESCRIPTION
▽=0	
∇=0	

GENERAL TOLERANCES (UNLESS SPECIFIED)	
	mm
4 PLACES	± ---
3 PLACES	± ---
2 PLACES	± 0.10
1 PLACE	± 0.20
ANGULAR ± 2°	

DIMENSION STYLE	
MM ONLY	
DRAWN BY	DATE
FM	1997/04/09
CHECKED BY	DATE
EF	1997/04/09
APPROVED BY	DATE
MW	1997/04/09
MATERIAL NO.	90853 0001

SCALE	DESIGN UNITS	THIRD ANGLE PROJECTION	TITLE
10:1	METRIC	☉	RF PLUG KIT FOR RG174 CABLE
MOLEX INCORPORATED			
DOCUMENT NO.	90853	SHEET NO.	1 OF 2
THIS DRAWING CONTAINS INFORMATION THAT IS PROPRIETARY TO MOLEX INCORPORATED AND SHOULD NOT BE USED WITHOUT WRITTEN PERMISSION			

7

6

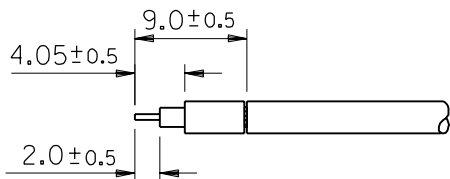
5

4

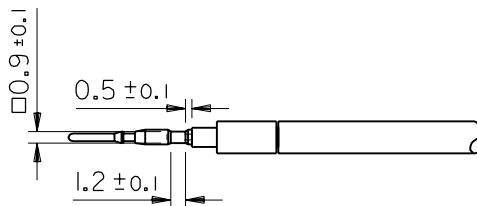
3

2

1



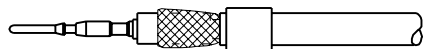
1. STRIP CO-AX CABLE, DO NOT REMOVE JACKET.



2. ASSEMBLE PIN TO BE FLUSH WITH THE CO-AX DIELECTRIC. CRIMP PIN TO CENTRE CONDUCTOR TO THE 0.9 DIMENSION SHOWN.



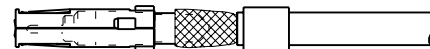
3. SLIDE OUTER FERRULE OVER PIN AND CABLE, THEN REMOVE JACKET.



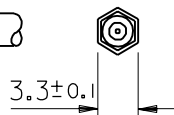
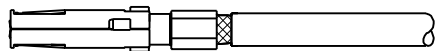
4. SLIDE INNER FERRULE OVER PIN AND UNDER BRAID.



5. SLIDE DIELECTRIC OVER PIN UNTIL IT LATCHES INTO POSITION.



6. SLIDE SHELL OVER DIELECTRIC UNTIL IT LATCHES INTO POSITION.



7. SLIDE OUTER FERRULE INTO POSITION AND CRIMP ONTO THE CABLE.

FOR PREVIOUS DRAWING ISSUES SEE MRI.

ALL SEE SHEET 1.

REVISIONS

DIMENSIONS SHOWN (METRIC) INCH	
UNLESS OTHERWISE SPECIFIED TOLERANCES: ANGULAR ± 1/2°	
	INCH (METRIC)
3 PLACE ± .	
2 PLACE ± .	±
1 PLACE	±

DRAFT WHERE APPLICABLE MUST REMAIN WITHIN DIMENSIONS

DESIGN DIMENSION (PRIMARY)	<input checked="" type="checkbox"/> (MM)
	<input type="checkbox"/> IN.
EQUIVALENT DIMENSION (SECONDARY)	<input type="checkbox"/> (MM)
	<input type="checkbox"/> IN.

DRWG BY

FM

CHK'D BY

APP'D BY

SCALE

2:1

REVISE ONLY ON CAD SYSTEM

SH. REV.

CAD/CAM FILENAME
S90853X2
DGN

THIS DRAWING CONTAINS INFORMATION THAT IS PROPRIETARY TO MOLEX INC. & SHOULD NOT BE USED WITHOUT WRITTEN PERMISSION

TITLE
RF PLUG KIT
TERMINATION INSTRUCTIONS
FOR RG174 CABLE

MOLEX EUROPE

SHEET NO.

DATE

20F

97/04/09

PART NO.

90853-0001

DWG NO.

SDA-90853

SIZE

A

7

6

5

4

3

2

1