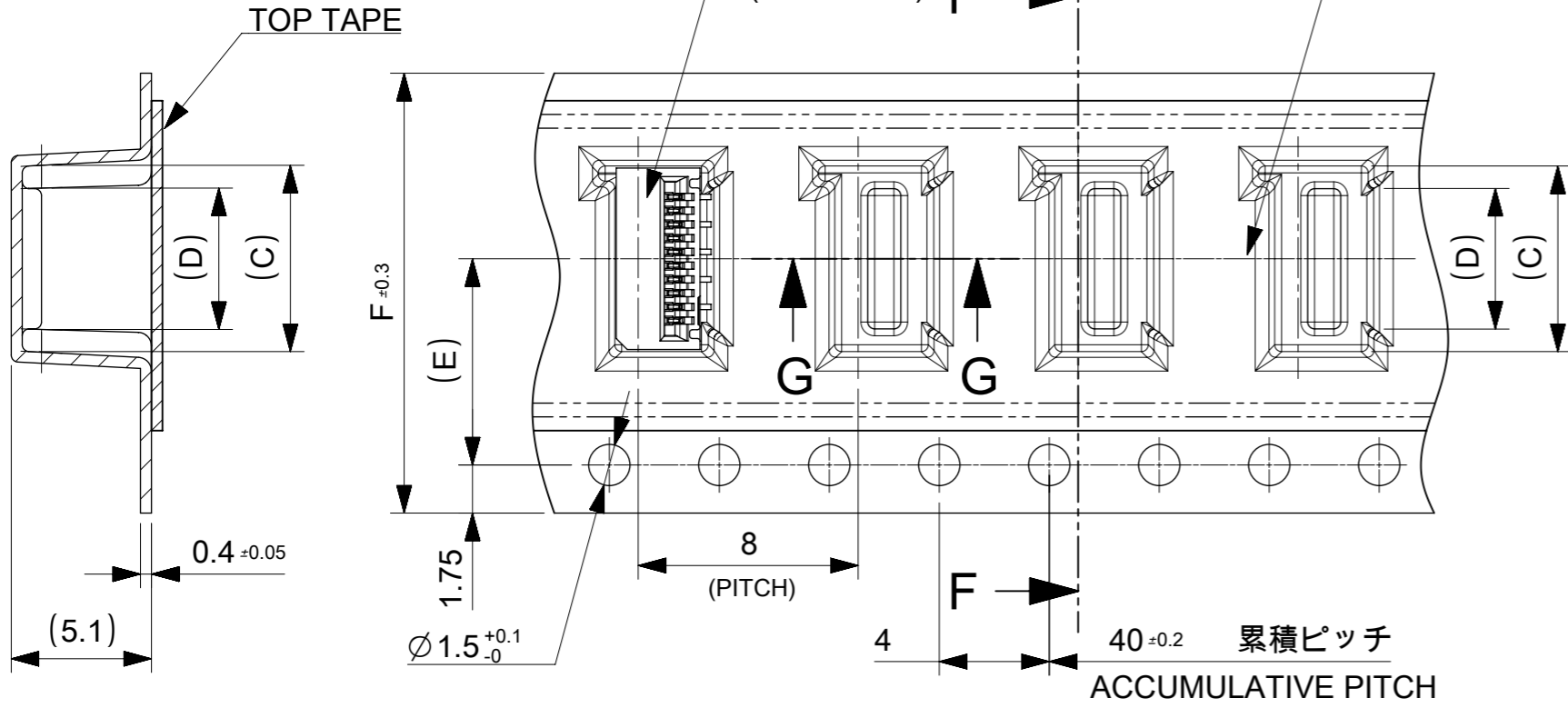


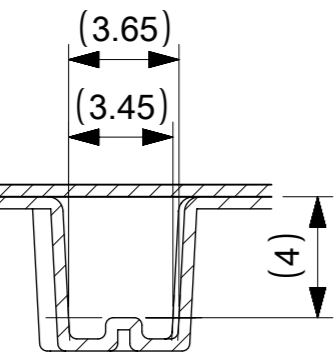
引き出し方向
PULL OUT DIRECTION

CONNECTOR
(78119-**15) F

ポケット中心
POCKET OF CENTER



SECTION F-F



SECTION G-G

F TAPE WIDTH	E	D	C	B	A	EMBOSSED PACKAGE オーダー番号 ORDER NO	CIRCUIT
24	11.5	29.4	25.4	14.1	15.8	781192820	28
				13.6	15.3	781192720	27
				13.1	14.8	781192620	26
				12.6	14.3	781192520	25
				12.1	13.8	781192420	24
				11.6	13.3	781192320	23
				11.1	12.8	781192220	22
				10.6	12.3	781192120	21
				10.1	11.8	781192020	20
				9.6	11.3	781191920	19
				9.1	10.8	781191820	18
				8.6	10.3	781191720	17
8.1	9.8	781191620	16				
7.6	9.3	781191520	15				
16	7.5	21.4	17.4	7.1	8.8	781191420	14
				6.6	8.3	781191320	13
				6.1	7.8	781191220	12
				5.6	7.3	781191120	11
				5.1	6.8	781191020	10
				4.6	6.3	781190920	9
				4.1	5.8	781190820	8
				3.6	5.3	781190720	7
3.1	4.8	781190620	6				

CONNECTOR SERIES NO. 78119**25

16mm, 24mm幅キャリアテープ

16mm, 24mm WIDTH CARRIER TAPE

THIS DRAWING CONTAINS INFORMATION THAT IS PROPRIETARY TO MOLEX ELECTRONIC TECHNOLOGIES, LLC AND SHOULD NOT BE USED WITHOUT WRITTEN PERMISSION

EC NO: 107065 DRWN: NASANUMA CHK'D: YKOBAYASHI02 APPR: KMORIKAWA	2016/04/26	GENERAL TOLERANCES (UNLESS SPECIFIED)		DIMENSION UNITS	SCALE					
	2016/08/01	ANGULAR TOL ± 1.0 °		MM	4:1					
	2016/08/02	4 PLACES	± 0.1	DRWN BY	DATE		0.5 FPC CONN. N-ZIF ST AU EMBS TP PKG			
		3 PLACES	± 0.1	NASANUMA	2016/04/26					
		2 PLACES	± 0.1	CHK'D BY	DATE					
	1 PLACE	± 0.1	YKOBAYASHI02	2016/08/01						
		0 PLACES	± 0.1	APPR BY	DATE	PRODUCT CUSTOMER DRAWING				
				KMORIKAWA	2016/08/02	SERIES	MATERIAL NUMBER	CUSTOMER		
						78119				
				DRAFT WHERE APPLICABLE MUST REMAIN WITHIN DIMENSIONS	DRAWING SIZE	THIRD ANGLE PROJECTION	DOCUMENT NUMBER	DOC TYPE	DOC PART	SHEET NUMBER
					A3		781190002	PSD	000	2 OF 3

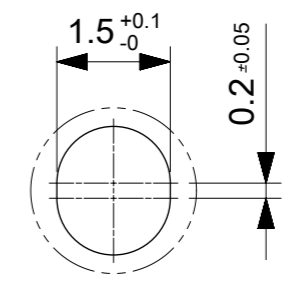
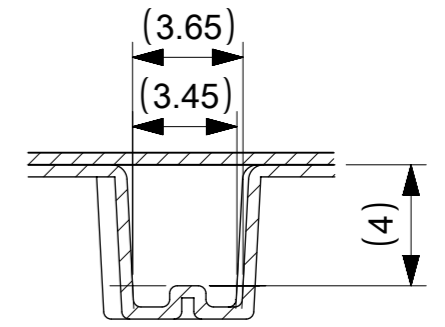
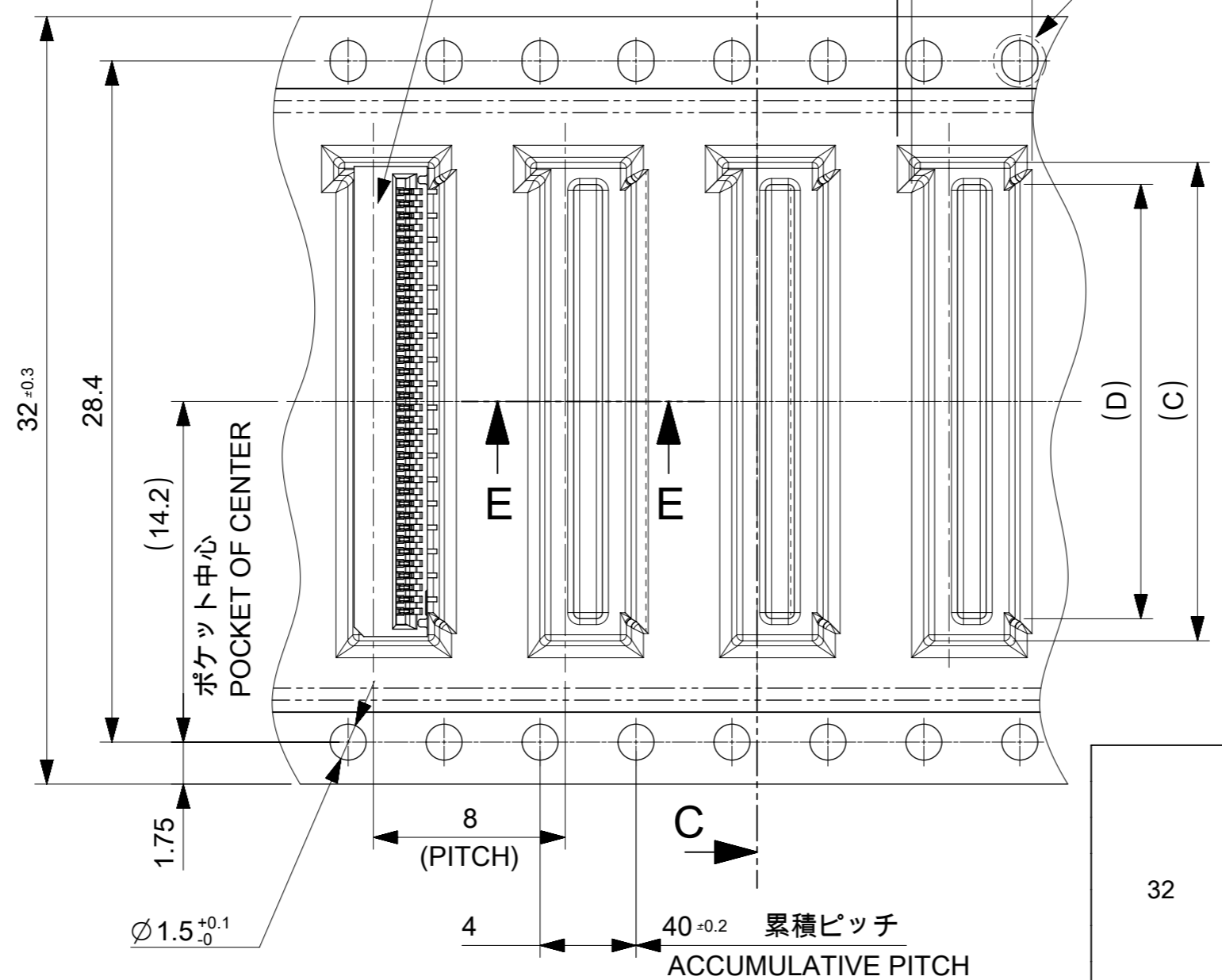
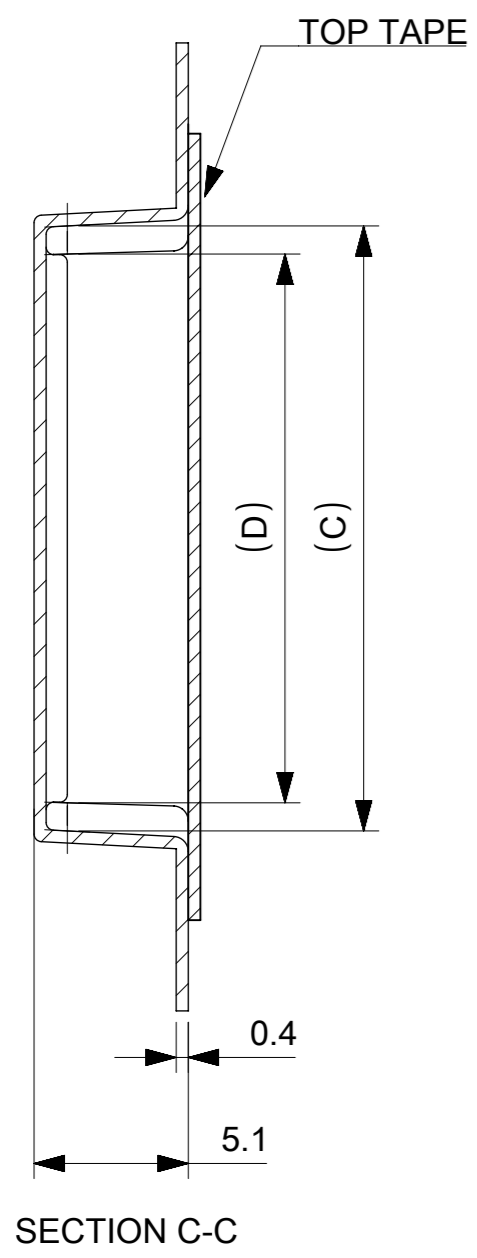
引き出し方向
PULL OUT DIRECTION

CONNECTOR
(78119-**15)

DETAIL 1

SECTION E-E

DETAIL 1
SCALE 10:1



32	19.8	18.1	37.4	33.4	781193620	36
	19.3	17.6			781193520	35
	18.8	17.1			781193420	34
	18.3	16.6			781193320	33
	17.8	16.1			781193220	32
	17.3	15.6			781193120	31
	16.8	15.1			781193020	30
	16.3	14.6			781192920	29
TAPE WIDTH	D	C	B	A	EMBOSSED PACKAGE オーダー番号 ORDER NO	CIRCUIT

CONNECTOR SERIES NO. 78119**25

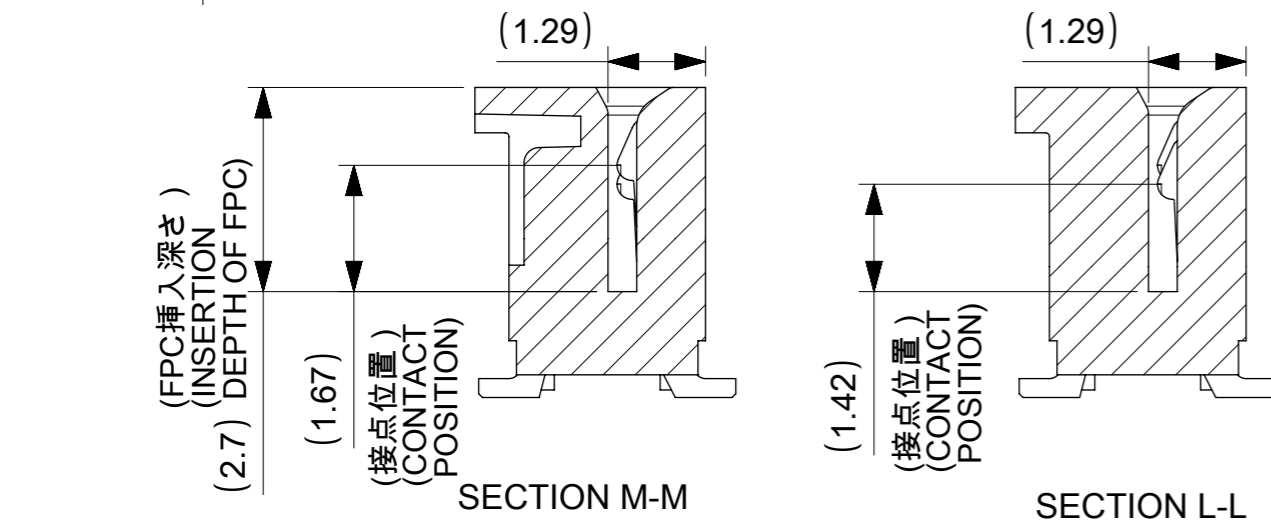
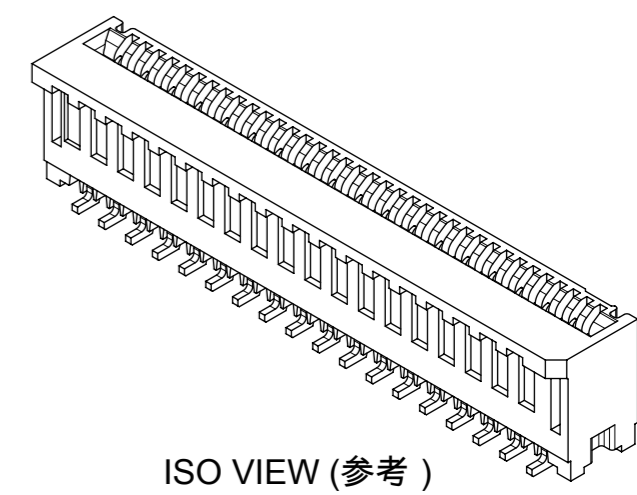
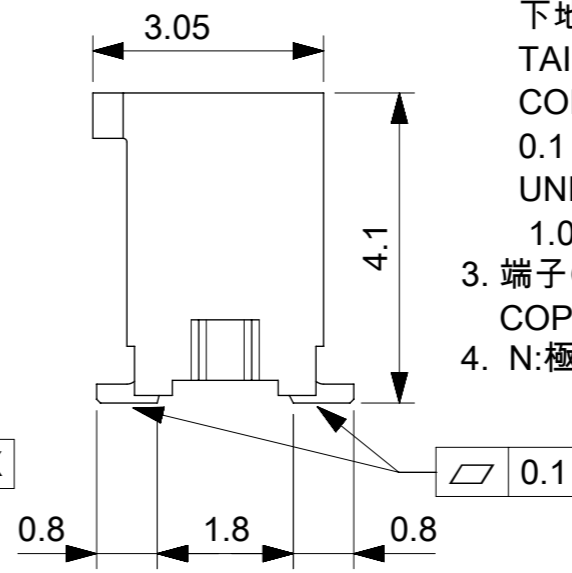
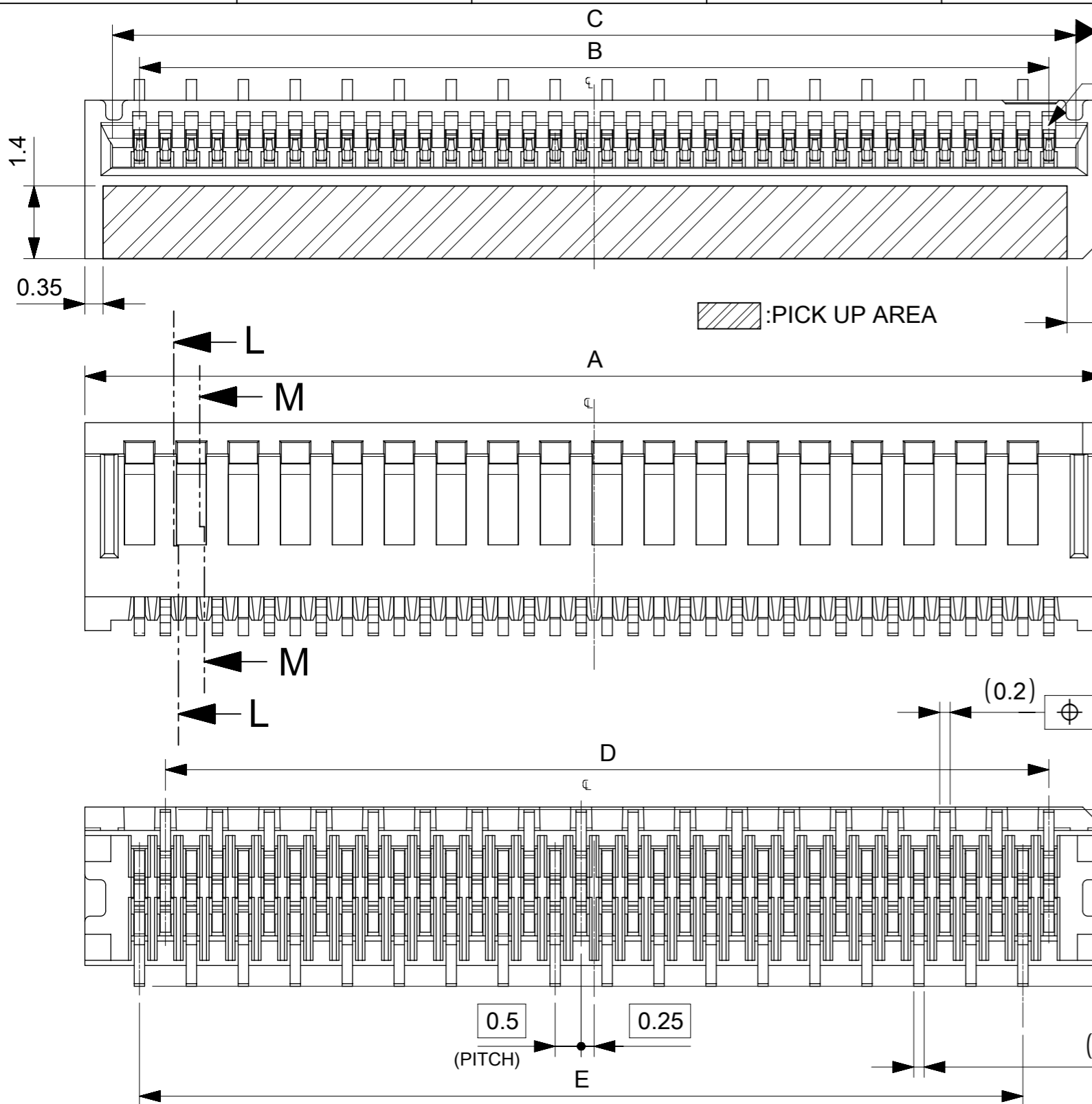
32mm幅キャリアテープ 32mm WIDTH CARRIER TAPE

THIS DRAWING CONTAINS INFORMATION THAT IS PROPRIETARY TO MOLEX ELECTRONIC TECHNOLOGIES, LLC AND SHOULD NOT BE USED WITHOUT WRITTEN PERMISSION

EC NO: 107065 DRWN: NASANUMA CHK'D: YKOBAYASHI02 APPR: KMORIKAWA	2016/04/26	2016/08/01	2016/08/02	GENERAL TOLERANCES (UNLESS SPECIFIED) ANGULAR TOL ± 1.0 ° 4 PLACES ± 0.1 3 PLACES ± 0.1 2 PLACES ± 0.1 1 PLACE ± 0.1 0 PLACES ± 0.1 DRAFT WHERE APPLICABLE MUST REMAIN WITHIN DIMENSIONS	DIMENSION UNITS	SCALE	
	MM		4:1				
	DRWN BY	DATE					
	NASANUMA	2016/04/26					
CHK'D BY	DATE		PRODUCT CUSTOMER DRAWING				
YKOBAYASHI02	2016/08/01						
APPR BY	DATE						
KMORIKAWA	2016/08/02						
DRAWING SIZE	THIRD ANGLE PROJECTION		SERIES: 78119 MATERIAL NUMBER: [blank] CUSTOMER: [blank]				
A3							
REV	DOCUMENT NUMBER		DOC TYPE	DOC PART	SHEET NUMBER		
A	781190002		PSD	000	3 OF 3		

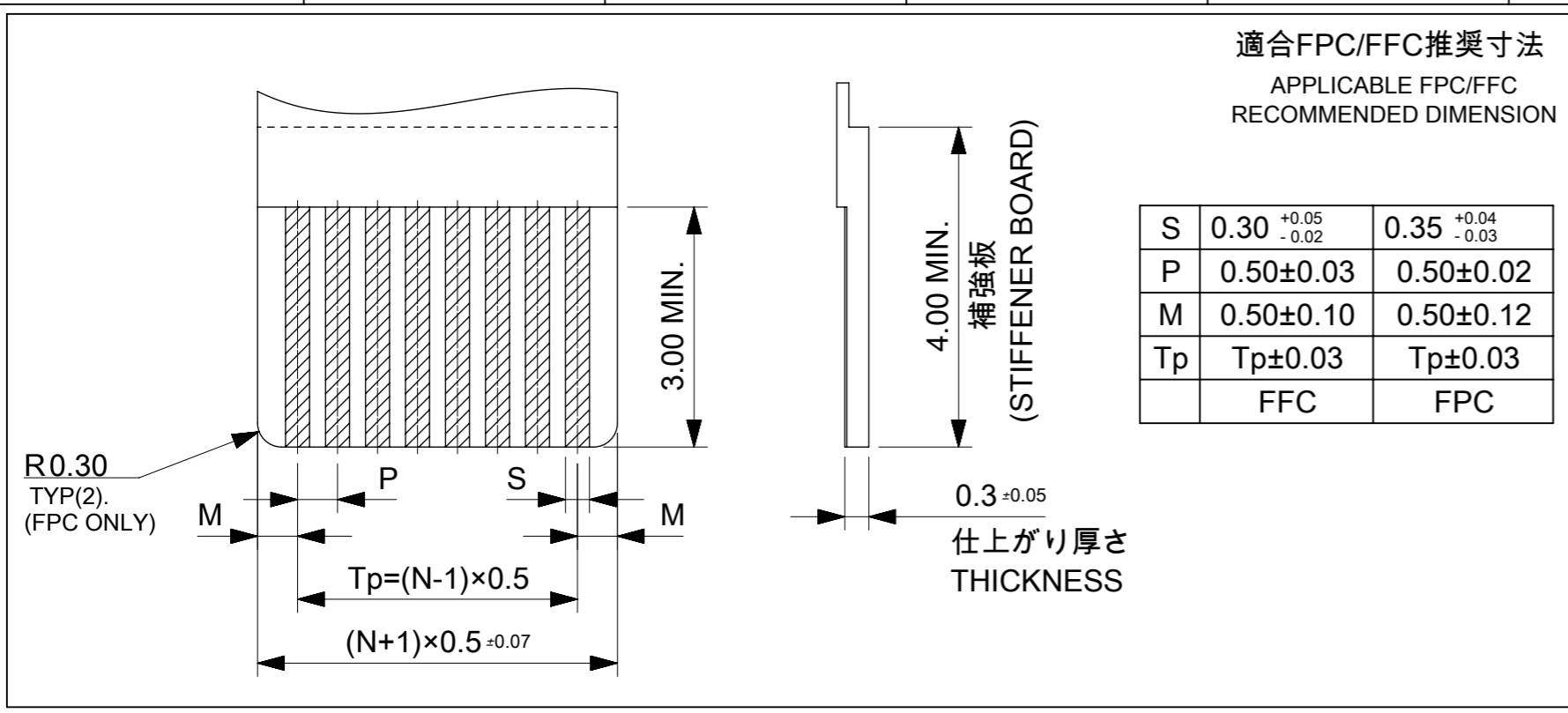
NOTES

1. 使用材料 MATERIALS
 ハウジング : 液晶ポリマー (LCP)
 ガラス充填、UL94 V-0、黒色
 端子 : リン青銅 t=0.2mm
 HOUSING : LIQUID CRYSTAL POLYMER(LCP)
 GLASS FILLED, UL94 V-0, BLACK
 TERMINAL: PHOSPHOR BRONZE t=0.2mm
2. メッキ仕様 PLATING
 端子 TERMINAL
 テール部 : 金メッキ
 接点部 : 金メッキ 0.1μm以上
 下地 : ニッケルメッキ 1.0μm以上
 TAIL AREA : GOLD PLATING
 CONTACT AREA : GOLD PLATING
 0.1 MICROMETER MINIMUM
 UNDER PLATING: Nickel PLATING
 1.0 MICROMETER MINIMUM
3. 端子の平坦度はテール部にて0.1mm以下とする。
 COPLANALITY OF SOLDER TAILS: 0.1mm MAX.
4. N: 極数 N: CIRCUIT



CONNECTOR SERIES NO. 78119**25

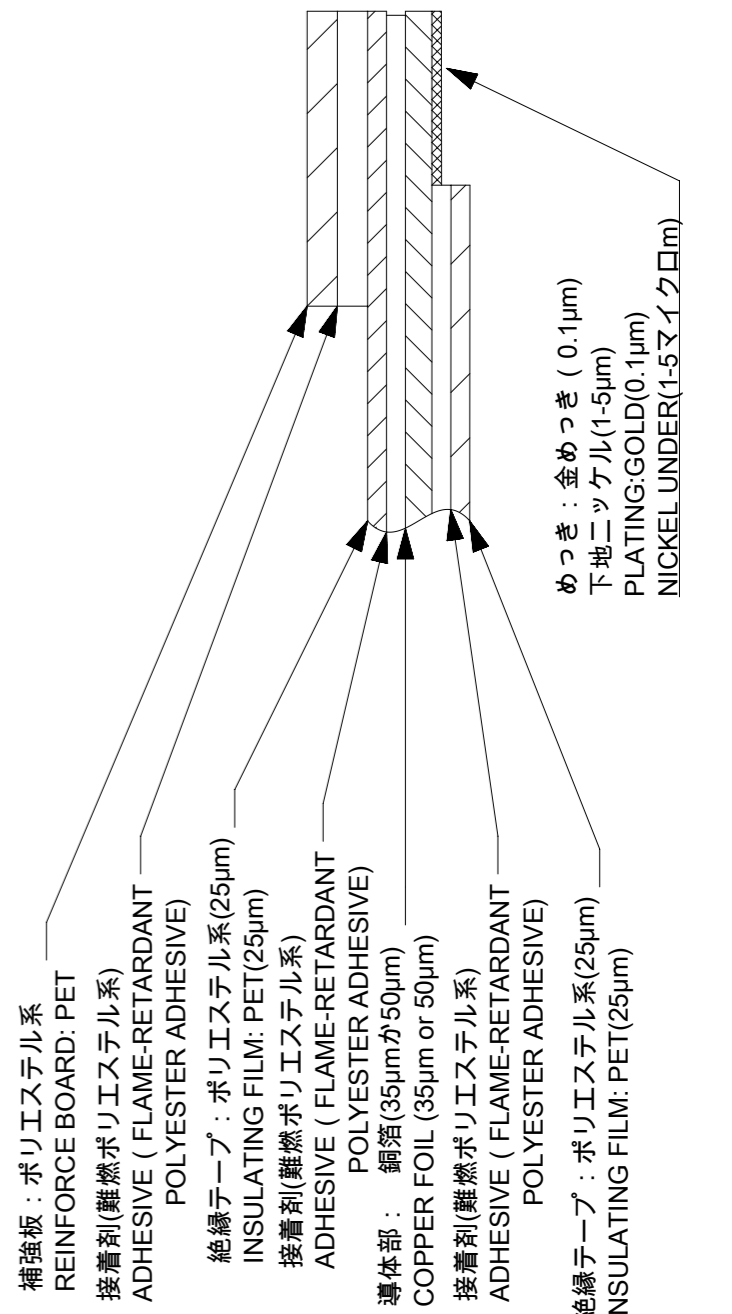
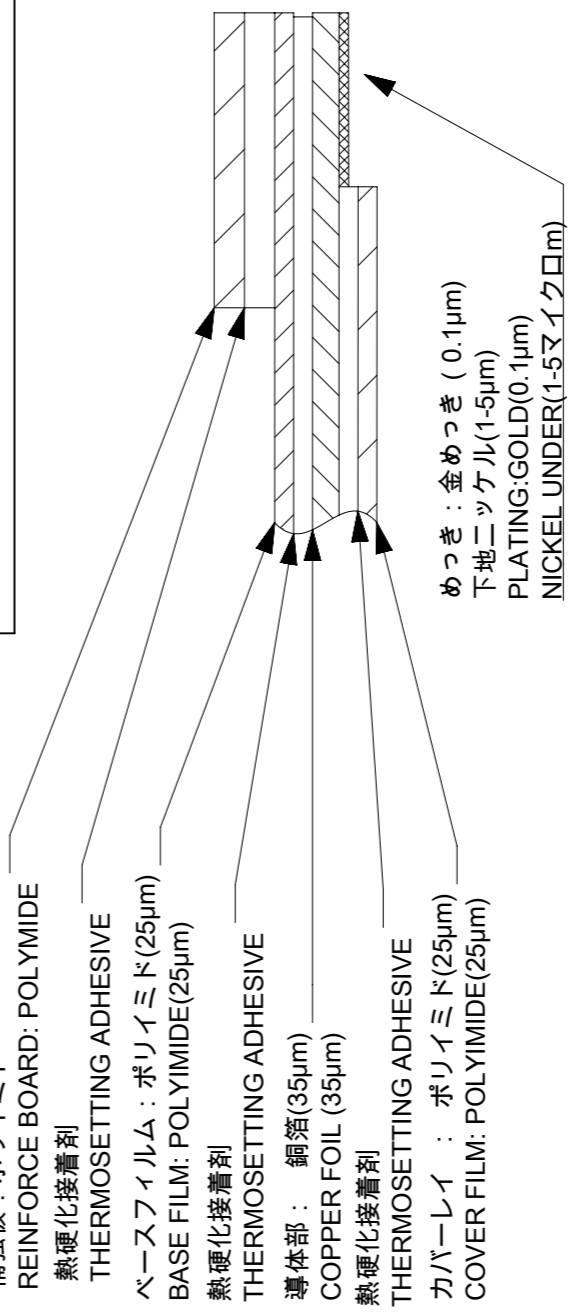
THIS DRAWING CONTAINS INFORMATION THAT IS PROPRIETARY TO MOLEX ELECTRONIC TECHNOLOGIES, LLC AND SHOULD NOT BE USED WITHOUT WRITTEN PERMISSION									
EC NO: 107065 DRWN: NASANUMA CHK'D: YKOBAYASHI02 APPR: KMORIKAWA	2016/02/17	GENERAL TOLERANCES (UNLESS SPECIFIED)		DIMENSION UNITS	SCALE				
	2016/08/01	ANGULAR TOL ± 1.0 °		MM	10:1				
	2016/08/02	4 PLACES	± 0.1	DRWN BY	DATE	0.5 PITCH NON-ZIF CONN. SMT AU ST ASSY			
		3 PLACES	± 0.1	CHK'D BY	DATE	PRODUCT CUSTOMER DRAWING			
		2 PLACES	± 0.1	YKOBAYASHI02	2016/08/01	SERIES	MATERIAL NUMBER	CUSTOMER	
	1 PLACE	± 0.1	APPR BY	DATE	78119				
	0 PLACES	± 0.1	KMORIKAWA	2016/08/02	DOCUMENT NUMBER	DOC TYPE	DOC PART	SHEET NUMBER	
	DRAFT WHERE APPLICABLE MUST REMAIN WITHIN DIMENSIONS		DRAWING SIZE	THIRD ANGLE PROJECTION	781191002	PSD	000	1 OF 3	
A	REV			A3					



適合FPC/FFC推奨寸法
APPLICABLE FPC/FFC
RECOMMENDED DIMENSION

S	0.30 ^{+0.05} / _{-0.02}	0.35 ^{+0.04} / _{-0.03}
P	0.50±0.03	0.50±0.02
M	0.50±0.10	0.50±0.12
Tp	Tp±0.03	Tp±0.03
	FFC	FPC

ELV & RoHS COMPLIANT



FPC/FFCについて
打抜き方向は導体側から補強版側を推奨します。
導体部については軟箔銅35μmまたは、50μmを推奨いたします。
接着剤の接点部への付着は導通不良の原因になりますので、染み出し無きことを推奨いたします。
FPC/FFCに規定された定格温度が、FPC/FFC単体前提である場合が御座います。
コネクタと組み合わせての実使用において、接着層が劣化する等の信頼性を満足できないケースを回避する為、
実機での評価 / 確認をお願い致します。

ABOUT FPC/FFC
RECOMMENDED PUNCHING DIRECTION: FROM CONDUCTOR SIDE TO STIFFENER SIDE.
RECOMMENDED CONDUCTOR SPEC: SOFT COPPER FOIL.
RECOMMENDED CONDUCTOR THICKNESS: 35 MICROMETER OR 50 MICROMETER.
RECOMMENDED PUT APPROPRIATE AMOUNT OF ADHESIVE ON ADHEREND BECAUSE THERE IS
A POSSIBILITY THAT EXTRA ADHESIVE CAUSES THE DEFECT IN ELECTRICAL CONTINUITY.
THE HEAT RESISTANCE OF FPC/FFC IS ONLY FPC/FFC SPEC.
TO PREVENT THE CASE THAT RELIABILITY CANNOT BE SATISFIED (THE ADHESIVE IS
DETERIORATED etc.) PLEASE DO THE EVALUATION AND THE CONFIRMATION
WITH ACTUAL CONNECTOR.

FPCについて
補強フィルム材は、ポリイミドを推奨します。ベースフィルムは25μmを推奨します。
接着剤は熱硬化接着剤を推奨します。

ABOUT FPC
RECOMMENDED STIFFENER MATERIAL: POLYIMIDE.
RECOMMENDED BASE FILM THICKNESS: 25 MICROMETER.
RECOMMENDED ADHESIVE: THERMOSETTING ADHESIVE.

FPC構成推奨仕様
STRUCTURE OF FPC

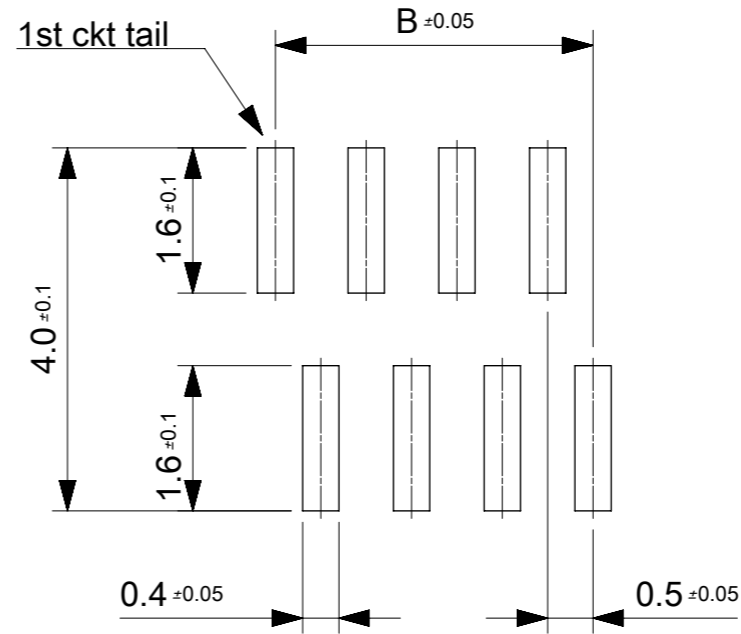
FFC構成推奨仕様
STRUCTURE OF FFC

THIS DRAWING CONTAINS INFORMATION THAT IS PROPRIETARY TO MOLEX ELECTRONIC TECHNOLOGIES, LLC AND SHOULD NOT BE USED WITHOUT WRITTEN PERMISSION

EC NO: 107065 DRWN: NASANUMA CHK'D: YKOBAYASHI02 APPR: KMORIKAWA	2016/02/17	2016/08/01	2016/08/02	GENERAL TOLERANCES (UNLESS SPECIFIED) ANGULAR TOL ± 1.0 ° 4 PLACES ± 0.1 3 PLACES ± 0.1 2 PLACES ± 0.1 1 PLACE ± 0.1 0 PLACES ± 0.1 DRAFT WHERE APPLICABLE MUST REMAIN WITHIN DIMENSIONS	DIMENSION UNITS	SCALE			
					MM	12:1			
					DRWN BY	DATE		NASANUMA	2016/02/17
					CHK'D BY	DATE		YKOBAYASHI02	2016/08/01
					APPR BY	DATE		KMORIKAWA	2016/08/02
A	REV				DRAWING SIZE	THIRD ANGLE PROJECTION	PRODUCT CUSTOMER DRAWING SERIES: 78119 MATERIAL NUMBER: 781191002 CUSTOMER:		
					A3				
					DOCUMENT NUMBER	DOC TYPE	DOC PART	SHEET NUMBER	
					781191002	PSD	000	2 OF 3	

17	17	18.6	17.5	19.6	781193620	36
16	17	18.1	17	19.1	781193520	35
16	16	17.6	16.5	18.6	781193420	34
15	16	17.1	16	18.1	781193320	33
15	15	16.6	15.5	17.6	781193220	32
14	15	16.1	15	17.1	781193120	31
14	14	15.6	14.5	16.6	781193020	30
13	14	15.1	14	16.1	781192920	29
13	13	14.6	13.5	15.6	781192820	28
12	13	14.1	13	15.1	781192720	27
12	12	13.6	12.5	14.6	781192620	26
11	12	13.1	12	14.1	781192520	25
11	11	12.6	11.5	13.6	781192420	24
10	11	12.1	11	13.1	781192320	23
10	10	11.6	10.5	12.6	781192220	22
9	10	11.1	10	12.1	781192120	21
9	9	10.6	9.5	11.6	781192020	20
8	9	10.1	9	11.1	781191920	19
8	8	9.6	8.5	10.6	781191820	18
7	8	9.1	8	10.1	781191720	17
7	7	8.6	7.5	9.6	781191620	16
6	7	8.1	7	9.1	781191520	15
6	6	7.6	6.5	8.6	781191420	14
5	6	7.1	6	8.1	781191320	13
5	5	6.6	5.5	7.6	781191220	12
4	5	6.1	5	7.1	781191120	11
4	4	5.6	4.5	6.6	781191020	10
3	4	5.1	4	6.1	781190920	9
3	3	4.6	3.5	5.6	781190820	8
2	3	4.1	3	5.1	781190720	7
2	2	3.6	2.5	4.6	781190620	6

E	D	C	B	A	EMBOSSED PACKAGE	CIRCUIT
オーダー番号 ORDER NO.						



参考マスク厚:100μm
 参考開口率:100%
 REFERENCE SCREEN THICKNESS:100
 REFERENCE SCREEN OPEN RATIO:100%

推奨基板レイアウト
 RECOMMENDED PCB LAYOUT

CONNECTOR SERIES NO. 78119**25

THIS DRAWING CONTAINS INFORMATION THAT IS PROPRIETARY TO MOLEX ELECTRONIC TECHNOLOGIES, LLC AND SHOULD NOT BE USED WITHOUT WRITTEN PERMISSION											
EC NO: 107065 DRWN: NASANUMA CHK'D: YKOBAYASHI02 APPR: KMORIKAWA	GENERAL TOLERANCES (UNLESS SPECIFIED)				DIMENSION UNITS	SCALE					
	ANGULAR TOL ± 1.0 °				MM	12:1					
	4 PLACES	±	0.1	DRWN BY		DATE		0.5 PITCH NON-ZIF CONN. SMT AU ST ASSY			
	3 PLACES	±	0.1	NASANUMA		2016/02/17					
	2 PLACES	±	0.1	CHK'D BY		DATE					
	1 PLACE	±	0.1	YKOBAYASHI02		2016/08/01		PRODUCT CUSTOMER DRAWING			
0 PLACES	±	0.1	APPR BY		DATE						
DRAFT WHERE APPLICABLE MUST REMAIN WITHIN DIMENSIONS		A3		DRAWING SIZE		THIRD ANGLE PROJECTION		SERIES	MATERIAL NUMBER	CUSTOMER	
								78119			
DOCUMENT NUMBER								DOC TYPE	DOC PART	SHEET NUMBER	
781191002								PSD	000	3 OF 3	