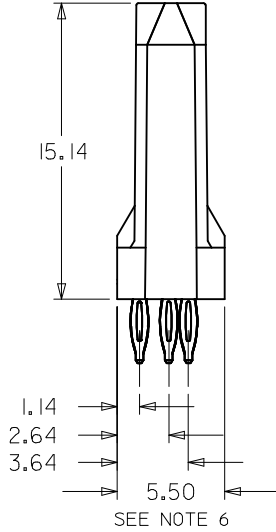
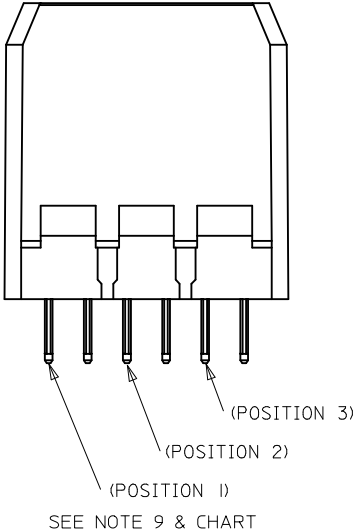
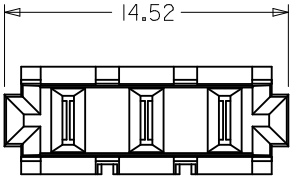
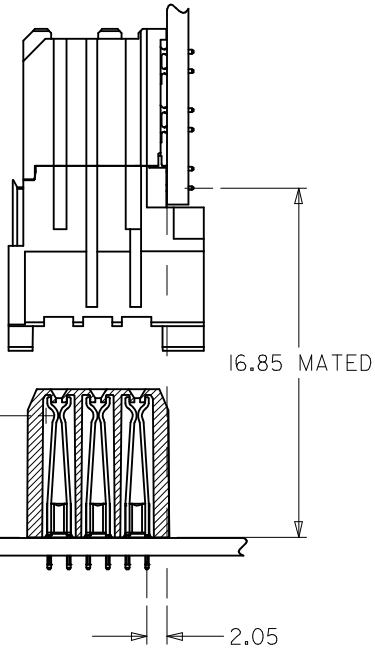
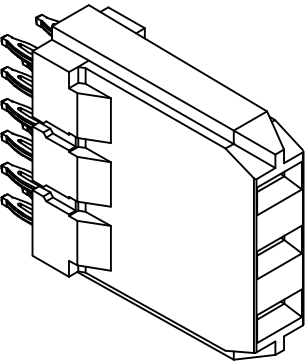


10 9 8 7 6 5 4 3 2 1



NOTES:

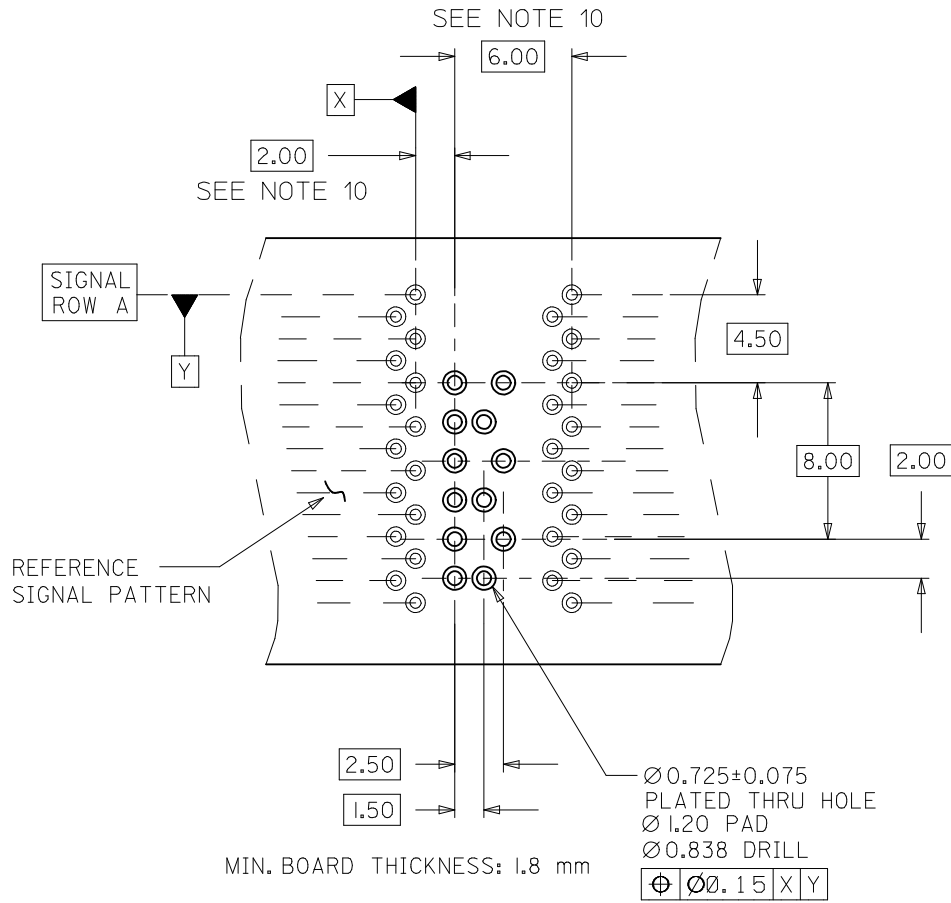
1. MATERIALS:
 HOUSING - LIQUID CRYSTAL POLYMER (LCP)
 UL94 V-0 RATED, COLOR: BLACK
 TERMINAL - COPPER ALLOY
2. FINISH: 30 MICROINCH MINIMUM GOLD ON MATING SURFACE;
 MATTE TIN (Sn) ON TAILS; NICKEL OVERALL.
3. FINISH: 50 MICROINCH MINIMUM GOLD ON MATING SURFACE;
 MATTE TIN (Sn) ON TAILS; NICKEL OVERALL.
4. FINISH: 50 MICROINCH MINIMUM GOLD ON MATING SURFACE;
 TIN / LEAD (Sn/Pb) ON TAILS; NICKEL OVERALL.
5. THIS PART CONFORMS TO PRODUCT SPECIFICATION
 PS-74031-999.
6. USE 6.00 mm NOMINAL FOR BACKPLANE LAYOUT.
7. DIMENSION MEASURED FROM BOTTOM OF HOUSING.
8. PACKED PER PK-70873-0876.
9. CONTACT NOT PRESENT AT POSITION ON -84** ASSEMBLIES.
10. THIS DIMENSION TO BE MULTIPLE OF 2.00 mm AS REQUIRED.

TIN / LEAD PLATING				MATTE TIN PLATING			
ASSEMBLY #	CONTACT PLATING	OPEN LOC.	# CONTACTS	ASSEMBLY #	CONTACT PLATING	OPEN LOC.	# CONTACTS
74029-8950	SEE NOTE 4	N/A	3	74029-8000	SEE NOTE 2	N/A	3
				74029-8050	SEE NOTE 3	N/A	
				74029-8400	SEE NOTE 2	POS. 2	2
				74029-8450	SEE NOTE 3	POS. 2	
				74029-8401	SEE NOTE 2	POS. 1	
				74029-8451	SEE NOTE 3	POS. 1	
				74029-8403	SEE NOTE 2	POS. 3	
				74029-8453	SEE NOTE 3	POS. 3	

ADD LEADED P/N EC NO: UCP2013-0146 DRWNS:VANG01 2012/07/16 CHKD:HMLFE 2012/07/16 APPR:SMILLER 2012/08/06	QUALITY SYMBOLS ▽/0 ▽/0 ▽/0	GENERAL TOLERANCES (UNLESS SPECIFIED)		DIMENSION STYLE MM ONLY		SCALE 4:1	DESIGN UNITS METRIC	THIRD ANGLE PROJECTION		
		mm		INCH		DRAWN BY TELO	DATE 98/10/19	VHDM 8 ROW POWER BACKPLANE SALES DRAWING molex SD-74029-002 SHEET NO. 1 OF 2		
		4 PLACES ± --- ± ---		3 PLACES ± --- ± ---		CHECKED BY DBREARLEY	DATE 98/10/21			
		2 PLACES ± 0.25 ± ---		1 PLACE ± 0.38 ± ---		APPROVED BY SMILLER	DATE 2012/01/20			
0 PLACE ± ±		ANGULAR ± 1/2° DRAFT WHERE APPLICABLE MUST REMAIN WITHIN DIMENSIONS		MATERIAL NO. SEE TABLE		DOCUMENT NO. SD-74029-002				
K	REV			SIZE B	THIS DRAWING CONTAINS INFORMATION THAT IS PROPRIETARY TO MOLEX INCORPORATED AND SHOULD NOT BE USED WITHOUT WRITTEN PERMISSION					

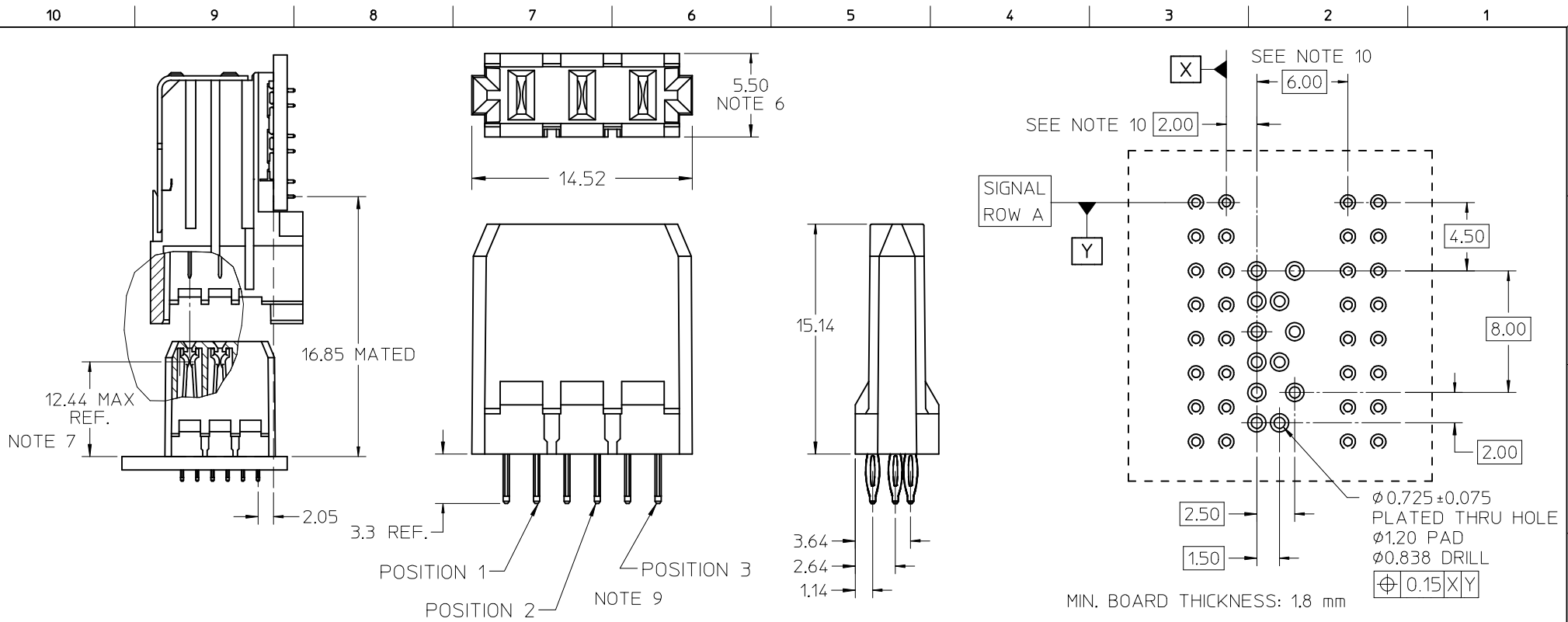
9 8 7 6 5 4 3 2 1

10 9 8 7 6 5 4 3 2 1



SEE SHEET 1 EC NO: UCP2013-0146 DRWN:SYANG01 2012/07/16 CHKD:MWOLFE 2012/07/16 APPR:SMILLER 2012/08/06	QUALITY SYMBOLS ▽/0 ▽/0 ▽/0	GENERAL TOLERANCES (UNLESS SPECIFIED)		DIMENSION STYLE		SCALE	DESIGN UNITS	THIRD ANGLE PROJECTION			
				MM ONLY		4:1	METRIC				
				mm	INCH	DRAWN BY	DATE	TITLE			
				4 PLACES ±---	±---	TELO	98/10/19	VHDM 8 ROW POWER BACKPLANE SALES DRAWING			
		3 PLACES ±---	±---	CHECKED BY	DATE						
		2 PLACES ±0.25	±---	DBREARLEY	98/10/21	molex					
		1 PLACE ±0.38	±---	APPROVED BY	DATE						
		0 PLACE ±	±	SMILLER	2012/01/20	DOCUMENT NO.		SHEET NO.			
		ANGULAR ±1/2°		MATERIAL NO.		SD-74029-002		2 OF 2			
		DRAFT WHERE APPLICABLE MUST REMAIN WITHIN DIMENSIONS		SEE TABLE		THIS DRAWING CONTAINS INFORMATION THAT IS PROPRIETARY TO MOLEX INCORPORATED AND SHOULD NOT BE USED WITHOUT WRITTEN PERMISSION					

9 8 7 6 5 4 3 2 1



- NOTES:
- MATERIALS:
HOUSING - LIQUID CRYSTAL POLYMER (LCP)
UL94 V-0 RATED, COLOR: BLACK
TERMINAL - COPPER ALLOY
 - FINISH: 30 MICROINCHES MINIMUM GOLD ON MATING SURFACE;
MATTE TIN (Sn) ON TAILS; NICKEL OVERALL.
 - FINISH: 50 MICROINCHES MINIMUM GOLD ON MATING SURFACE;
MATTE TIN (Sn) ON TAILS; NICKEL OVERALL.
 - FINISH: 50 MICROINCHES MINIMUM GOLD ON MATING SURFACE;
TIN / LEAD (Sn/Pb) ON TAILS; NICKEL OVERALL.
 - THIS PART CONFORMS TO PRODUCT SPECIFICATION
PS-74031-999.
 - USE 6.00 mm NOMINAL FOR BACKPLANE LAYOUT.
 - DIMENSION MEASURED FROM BOTTOM OF HOUSING.
 - PACKED PER PK-70873-0876.
 - CONTACT NOT PRESENT AT POSITION ON -84** ASSEMBLIES.
 - THIS DIMENSION TO BE MULTIPLE OF 2.00 mm AS REQUIRED.

TIN / LEAD PLATING				MATTE TIN PLATING			
ASSEMBLY #	CONTACT PLATING	OPEN LOC.	# CONTACTS	ASSEMBLY #	CONTACT PLATING	OPEN LOC.	# CONTACTS
74029-8950	SEE NOTE 4	N/A	3	74029-8000	SEE NOTE 2	N/A	3
				74029-8050	SEE NOTE 3	N/A	
				74029-8400	SEE NOTE 2	POS. 2	2
				74029-8450	SEE NOTE 3	POS. 2	
				74029-8401	SEE NOTE 2	POS. 1	
				74029-8451	SEE NOTE 3	POS. 1	
				74029-8403	SEE NOTE 2	POS. 3	
				74029-8453	SEE NOTE 3	POS. 3	

ADD LEADED P/N EC NO: UCP2013-0146 DRWNS:VANG01 2012/07/13 CHKD:WOLFE 2012/07/13 APPR:SMILLER 2012/08/06	QUALITY SYMBOLS	GENERAL TOLERANCES (UNLESS SPECIFIED)	DIMENSION STYLE MM ONLY	SCALE 4:1	DESIGN UNITS METRIC	THIRD ANGLE PROJECTION
	$\nabla F=0$	4 PLACES ± --- ± ---	DRAWN BY DATE ELO 2001/10/04	TITLE	HSD 8 ROW POWER BACKPLANE SALES DRAWING	
	$\nabla E=0$	3 PLACES ± --- ± ---	CHECKED BY DATE GORSKI 2001/10/05			
	$\nabla F=0$	2 PLACES ± 0.25 ± ---	APPROVED BY DATE BIXLER 2001/10/08			
	1 PLACE ± 0.38 ± ---		MATERIAL NO.	DOCUMENT NO.	SHEET NO.	
	0 PLACE ± ±	ANGULAR ± 5 °	SEE TABLE	SD-74029-009	1 OF 1	
		DRAFT WHERE APPLICABLE MUST REMAIN WITHIN DIMENSIONS	SIZE B	THIS DRAWING CONTAINS INFORMATION THAT IS PROPRIETARY TO MOLEX INCORPORATED AND SHOULD NOT BE USED WITHOUT WRITTEN PERMISSION		