

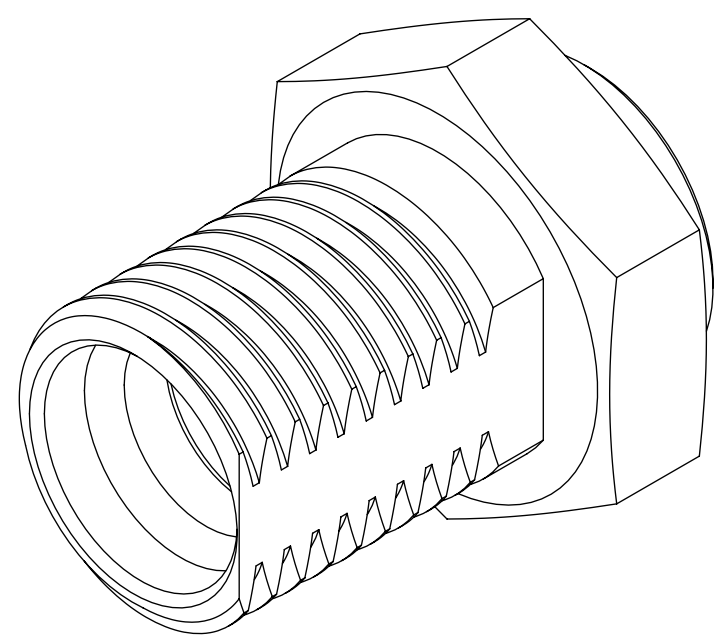
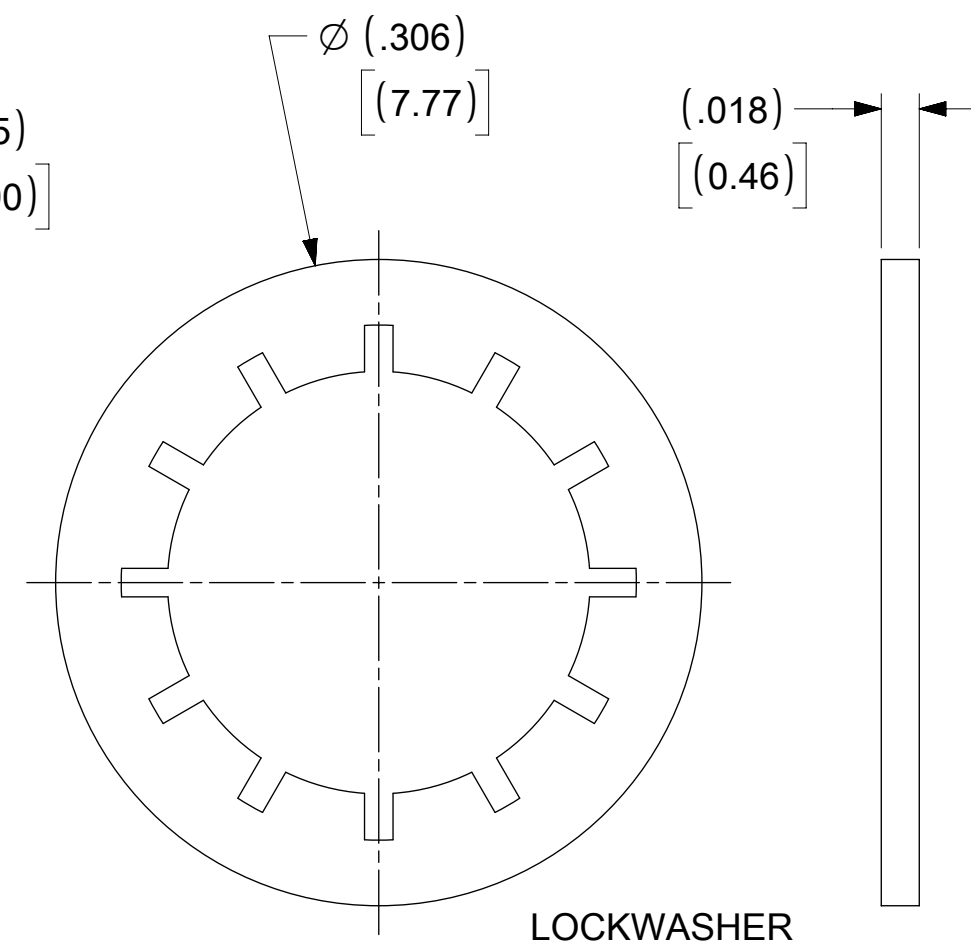
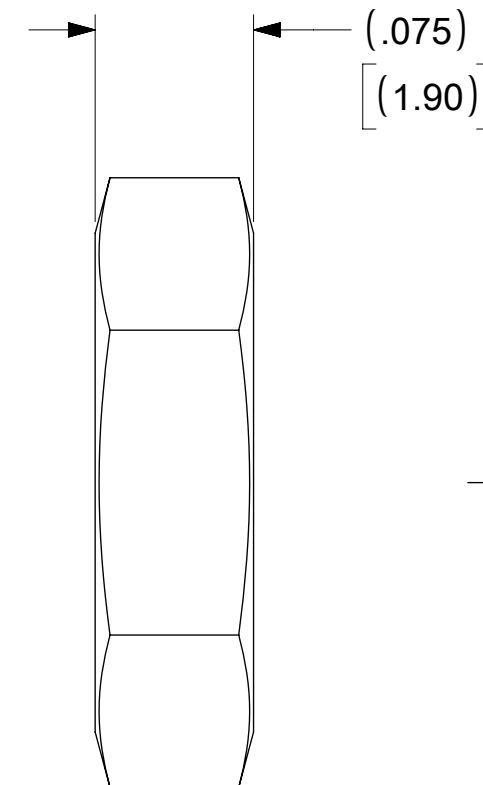
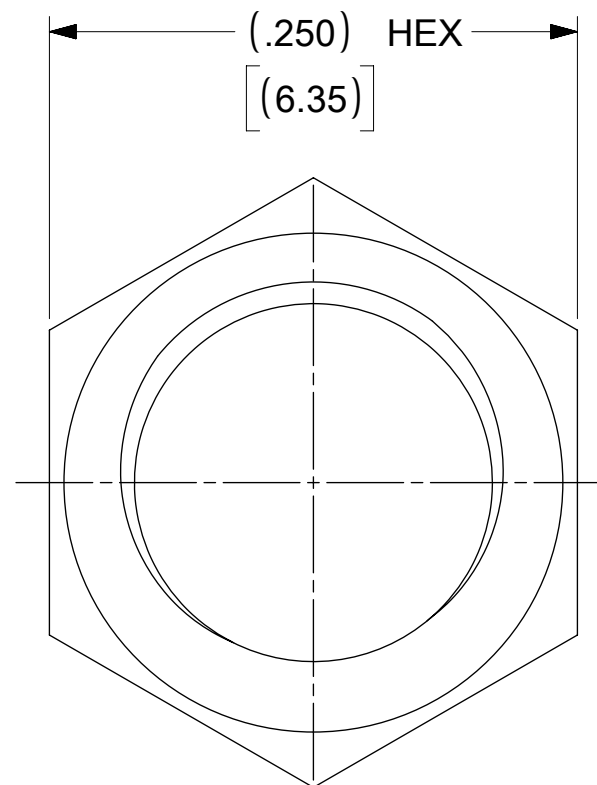
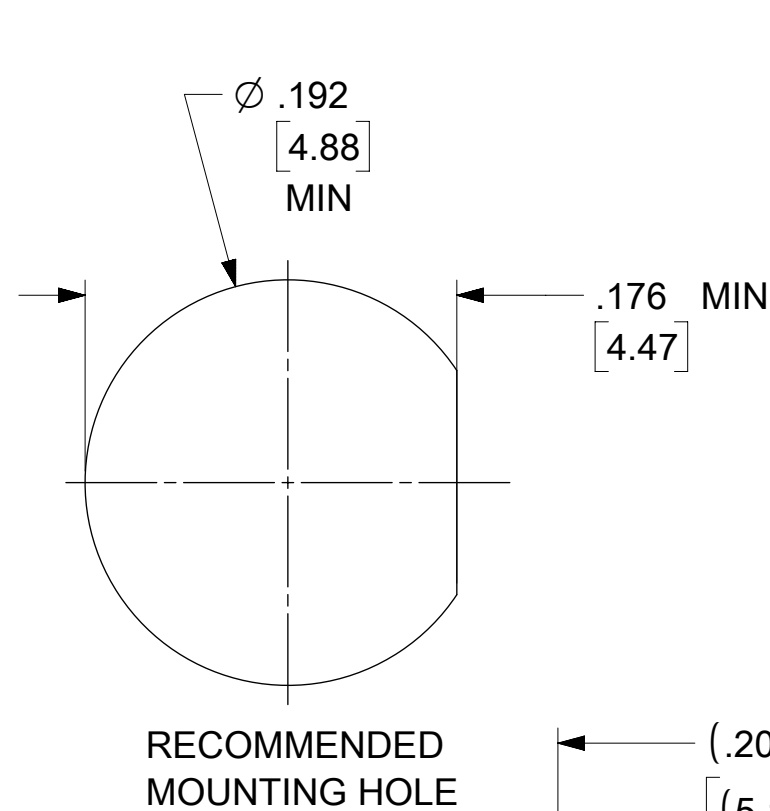
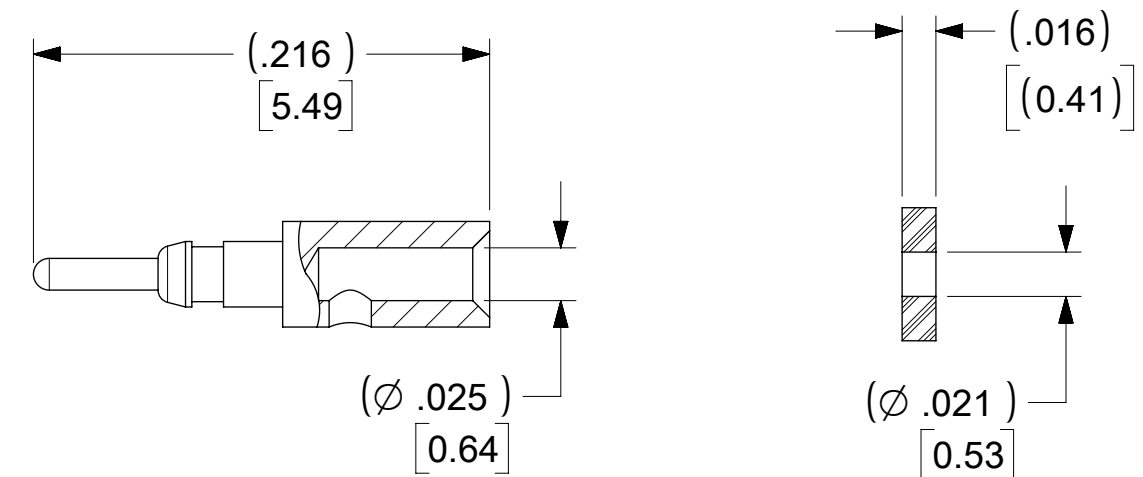
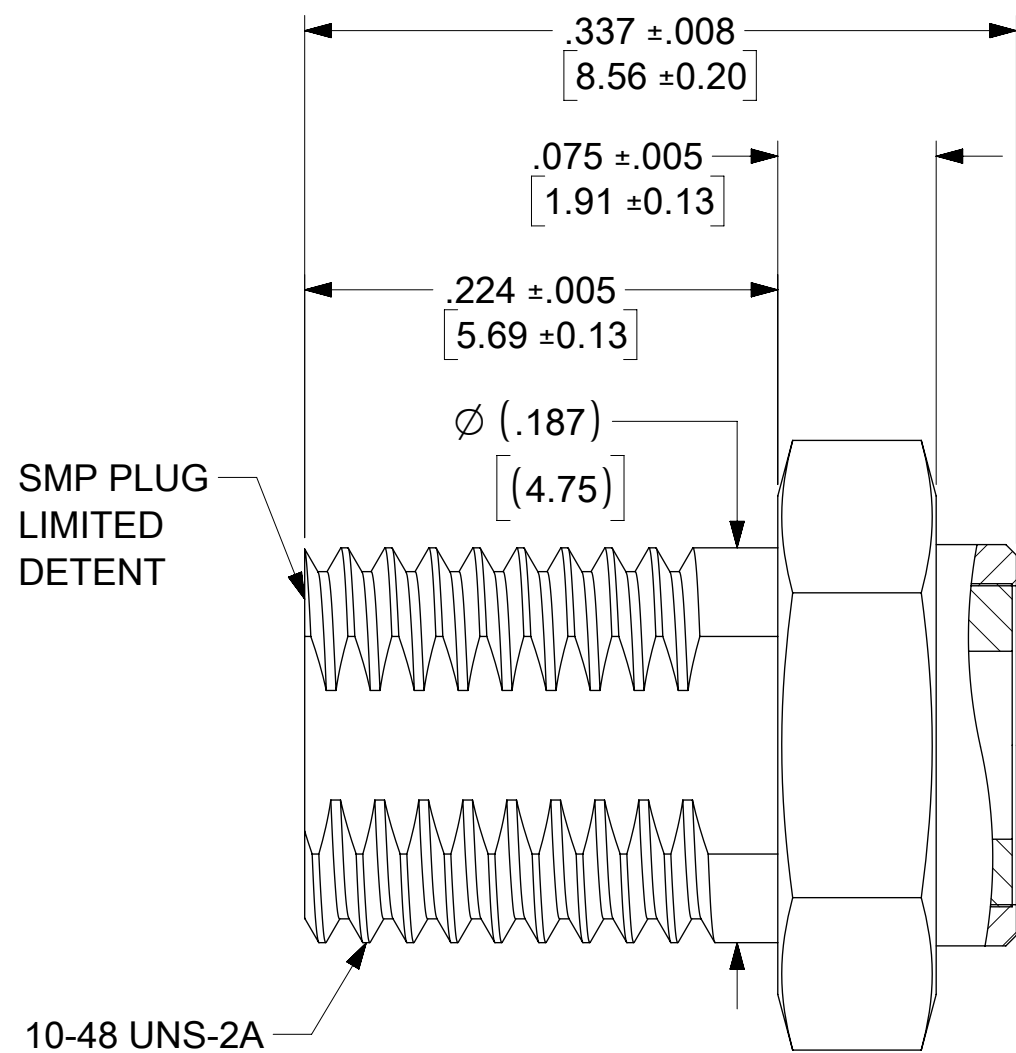
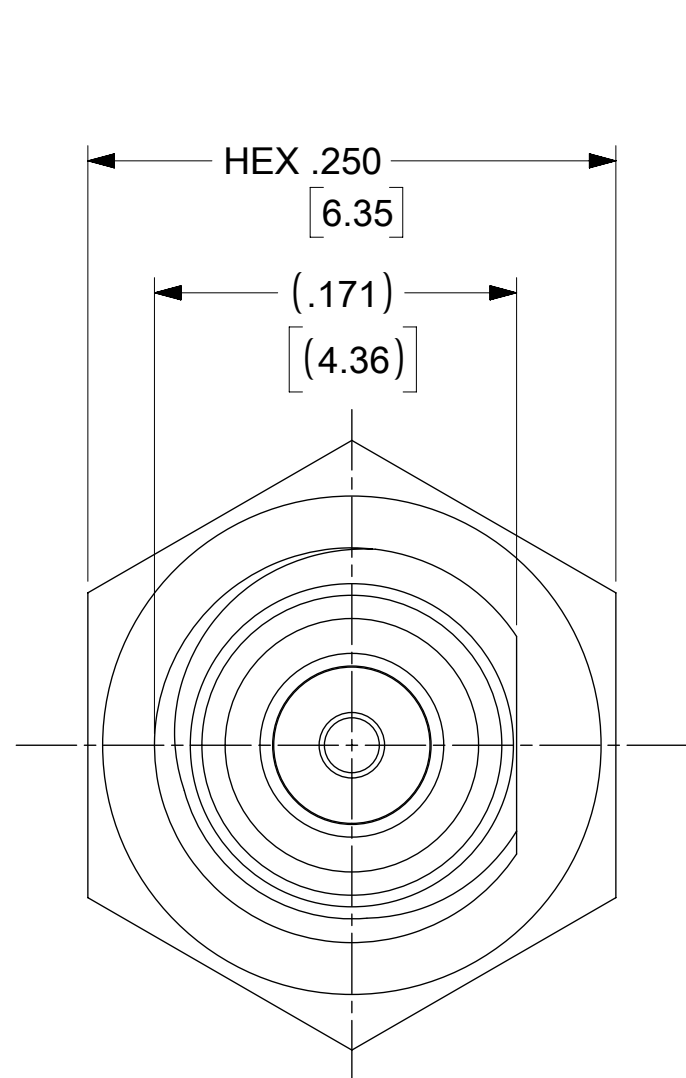
MATERIALS AND FINISHES:

BODY, JAM NUT: BRASS
PLATED: GOLD (1μ-in MIN)
OVER NICKEL (50μ-in MIN)

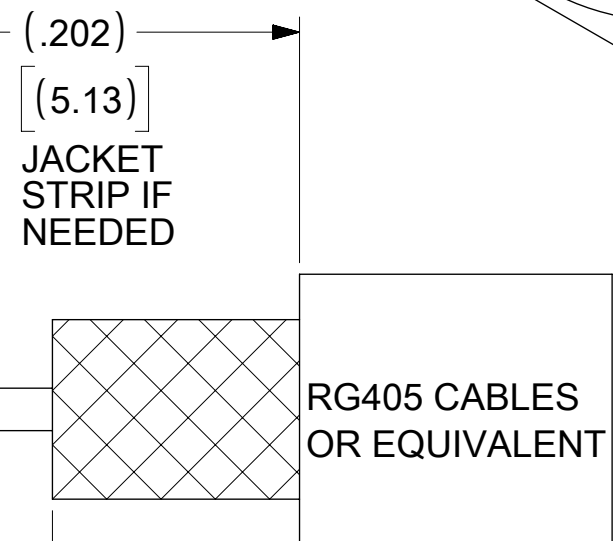
CENTER CONTACT: BRASS
PLATED: GOLD (10μ-in MIN)
OVER NICKEL (70μ-in MIN)

LOCK WASHER: PHOSPHER BRONZE
PLATED: GOLD (1μ-in MIN)
OVER NICKEL (50μ-in MIN)

INSULATOR: PTFE



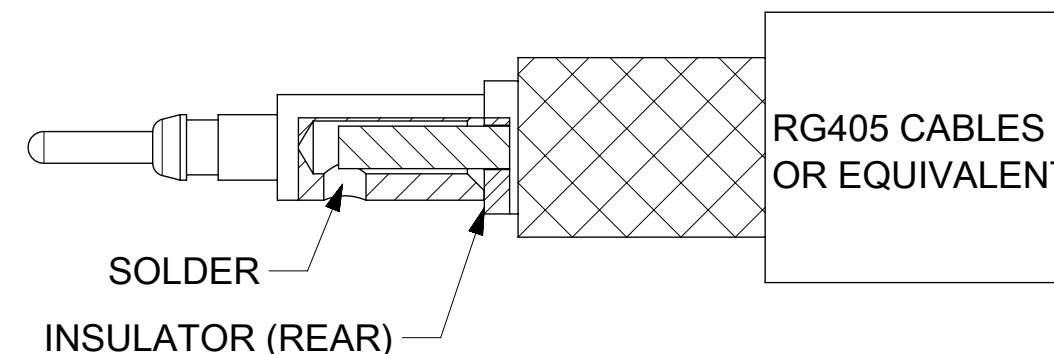
RECOMMENDED MOUNTING HOLE



RECOMMENDED CABLE STRIP DIMENSION FOR "RG405 CABLE TYPES"

JAM NUT

LOCKWASHER



SOLDER

INSULATOR (REAR)

RG405 CABLES OR EQUIVALENT

FUNCTIONAL SYMBOLS	THIS DRAWING CONTAINS INFORMATION THAT IS PROPRIETARY TO MOLEX ELECTRONIC TECHNOLOGIES, LLC AND SHOULD NOT BE USED WITHOUT WRITTEN PERMISSION			
	DIMENSION UNITS	SCALE		CURRENT REV DESC:
	$F_A = 0$	IN/MM	NTS	
	GENERAL TOLERANCES (UNLESS SPECIFIED)			
$F_C = 0$	MM	INCH		
$F_D = 0$	4 PLACES ±	±		
DIVISIONAL SYMBOLS	3 PLACES ±	±		
	2 PLACES ±	±		
	1 PLACE ±	±		
	0 PLACES ±	±		
ANGULAR TOL	±	°		
DRAFT WHERE APPLICABLE MUST REMAIN WITHIN DIMENSIONS		THIRD ANGLE PROJECTION	DRAWING C-SIZE	SERIES 73406

EC NO: 718319	2022/08/16	
DRWN: BSHAH	2022/09/15	
CHK'D: LMEIER	2022/09/16	
APPR: KTAGAN	2022/07/23	INITIAL REVISION:
DRWN: CLLI	2007/07/23	DRWN: CLLI
APPR: MISEN	2007/07/23	APPR: MISEN

PRODUCT CUSTOMER DRAWING		
DOCUMENT NUMBER	DOC TYPE	DOC PART
734060090	PSD	000
REVISION	A1	
MATERIAL NUMBER	CUSTOMER	SHEET NUMBER
0734060090		1 OF 1

PS-89675-3320	PRODUCT SPECIFICATION
MIL-STD-348, FIG. 326.3	INTERFACE SMP PLUG
SPECIFICATION	DESCRIPTION
DOCUMENT STATUS	P1
RELEASE DATE	2022/09/16 12:42:50