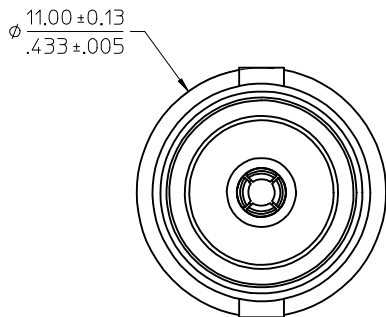
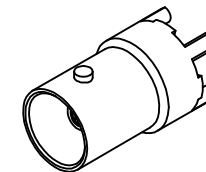


MATERIAL AND FINISHES

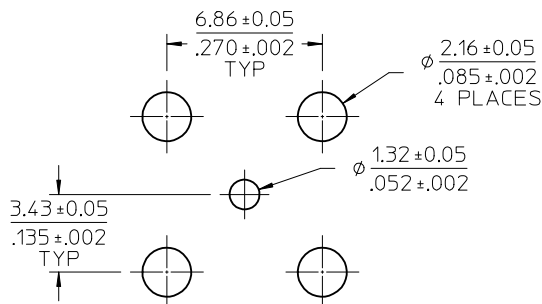
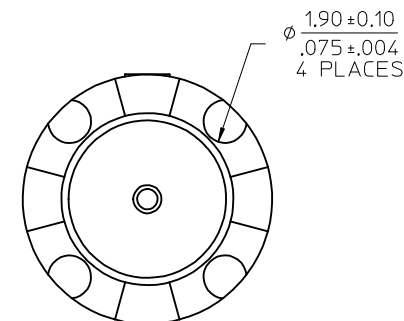
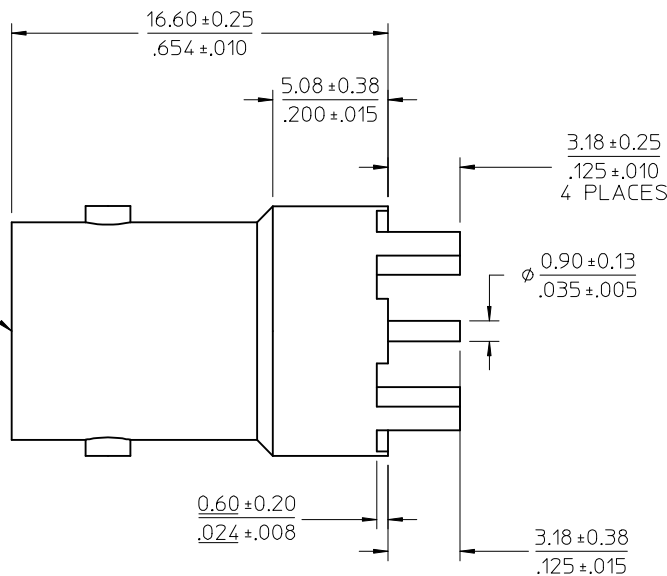
BODY ZINC ALLOY  
PLATED NICKEL

CONTACT PHOSPHOR BRONZE  
PLATED GOLD

INSULATOR PE-606



BNC JACK  
75 OHM  
INTERFACE



RECOMMENDED PCB  
HOLE PATTERN

73171-1902	73171-1900, ONE PER BAG
73171-1900	BULK
PART NO.	PACKAGING

CHG: ADD STAND OFF DIM: 6.00±0.20 IEC NO: URF2014-0462 DRW: CME102 2014/02/12 CHKD: APPR: M HUANG 2014/02/27	QUALITY SYMBOLS ▽=0 ▽=0 ▽=0	GENERAL TOLERANCES (UNLESS SPECIFIED)		DIMENSION STYLE MM/IN		SCALE	DESIGN UNITS METRIC	THIRD ANGLE PROJECTION			
				mm	INCH	DRAWN BY	DATE	TITLE			
		4 PLACES ± --- ± ---		TEF	2003/01/07	CHECKED BY	DATE	BNC JACK, VERTICAL MOUNT PCB, EWR-1909, 75 OHMS BNC-J/PCB <b>molex</b>			
		3 PLACES ± --- ± ---		SSS	2003/01/07	APPROVED BY	DATE				
2 PLACES ± --- ± ---		GMH	2003/01/07	MATERIAL NO.		DOCUMENT NO.		SHEET NO.			
1 PLACE ± --- ± ---		ANGULAR ± 2 °		SEE TABLE		SD-73171-190		1 OF 1			
0 PLACE ± ±		DRAFT WHERE APPLICABLE MUST REMAIN WITHIN DIMENSIONS		THIS DRAWING CONTAINS INFORMATION THAT IS PROPRIETARY TO MOLEX INCORPORATED AND SHOULD NOT BE USED WITHOUT WRITTEN PERMISSION							