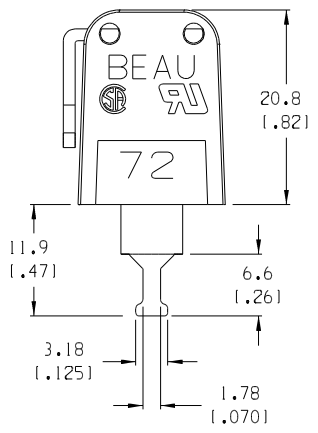
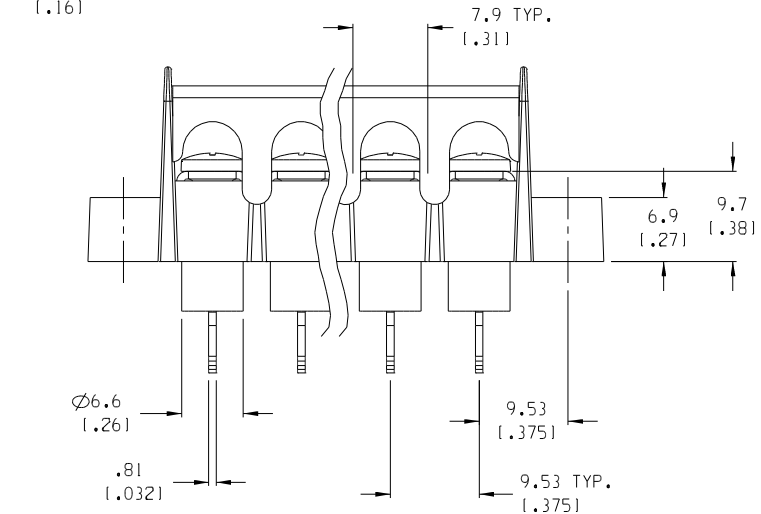


- NOTES:
1. MATERIAL: SEE TABLE
 2. FINISHES: SEE TABLE
 3. PRODUCT SPECIFICATION: NOT REQUIRED
 4. PACKAGING: NOT REQUIRED
 5. MATES WITH: NONE
 6. "XX" REFERS TO THE QUANTITY OF CIRCUIT POSITIONS.



QTY. OF CIRC. "XX"	DIM. "A"	DIM. "B"	DIM. "C"	DIM. "D"	ASSEMBLY MATERIAL #
02	36.2 (1.431)	9.5 1.381	28.6 (1.131)	21.1 1.831	38729-0353
03	45.7 (1.801)	19.1 1.751	38.1 (1.501)	30.7 11.211	38729-1434
04	55.2 (2.181)	28.6 11.131	47.6 (1.881)	40.2 11.581	38729-1068
05	64.8 (2.551)	38.1 11.501	57.2 (2.251)	49.7 11.961	38729-1279
06	74.3 (2.931)	47.6 11.881	66.7 (2.631)	59.2 12.331	38729-1014
07	83.8 (3.301)	57.2 (2.251)	76.2 (3.001)	68.8 12.711	38729-0427
08	93.3 (3.681)	66.7 (2.631)	85.7 (3.381)	78.3 13.081	-
09	102.9 (4.051)	76.2 (3.001)	95.3 (3.751)	87.8 13.461	-
10	112.4 (4.431)	85.7 (3.381)	104.8 (4.131)	97.3 13.831	-
11	121.9 (4.801)	95.3 (3.751)	114.3 (4.501)	106.9 14.211	-
12	131.4 (5.181)	104.8 (4.131)	123.8 (4.881)	116.4 14.581	-
13	141.0 (5.551)	114.3 (4.501)	133.4 (5.251)	125.9 14.961	-
14	150.5 (5.931)	123.8 (4.881)	142.9 (5.631)	135.4 15.331	-
15	160.0 (6.301)	133.4 (5.251)	152.4 (6.001)	145.0 15.711	-
16	169.5 (6.681)	142.9 (5.631)	161.9 (6.381)	154.5 16.081	-

ITEM	QTY.	DESCRIPTION	MATERIAL	FINISH
4	XX	#6-32 PHIL-SLOT SCREW	STEEL	ZN, CLEAR CHROMATE
3	XX	TERMINAL, SOLDER TAIL	BRASS	TIN PLATE
2	1	COVER, HINGED	THERMOPLASTIC	BLACK
1	1	INSULATOR, CS, INSL., MOLDED MTG.	THERMOPLASTIC	BLACK

EC NO. DRWN: CH-K: APPR: A	MAJOR CRITICAL SPC S	GENERAL TOLERANCES: (UNLESS SPECIFIED)		SCALE 2:1	DESIGN UNITS <input type="checkbox"/> mm <input checked="" type="checkbox"/> INCH	THIRD ANGLE PROJECTION	PROJECT NO. - DIMENSIONS: <input checked="" type="checkbox"/> mm <input type="checkbox"/> INCH <input type="checkbox"/> mm ONLY	SHT REV
		4 PLACES ±.0015 3 PLACES ±.005 2 PLACES ±.13 1 PLACE ±.3	mm INCH ±.0015 ±.005 ±.13 ±.01	DRAWN BY & DATE C. YORK 09-30-04	TITLE: SR BTS, CS INSL, MOLDED MTG. ENDS W/ HINGED COVER			
ANGULAR: ±2°				APPROVED BY & DATE		MOLEX INCORPORATED		
DRAFT WHERE APPLICABLE MUST REMAIN WITHIN DIMENSIONS				CAD FILENAME 72R2XX-H	MATERIAL NO. SEE CHART	DRAWING NO. SD-38729-033	SHEET NO. 1 OF 1	SIZE B