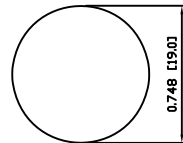
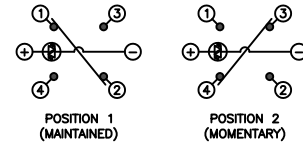


SUGGESTED PANEL CUTOUT



MAXIMUM PANEL THICKNESS: 0.472 [12.0mm]

SCHEMATIC



SPECIFICATIONS

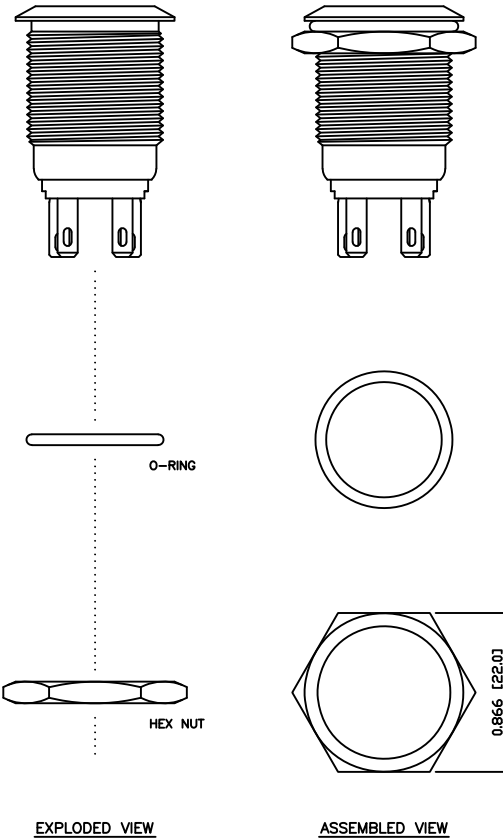
- FUNCTION:
1PNO OFF-(ON) + 1PNC ON-(OFF)
- RATING:
2A 24VDC
- ILLUMINATION VOLTAGE:
2.8V 20mA
- CONTACT RESISTANCE:
Initial: 50mΩ Max. at 1A 12VDC
- INSULATION RESISTANCE:
1,000MΩ Min. at 500VDC
- DIELECTRIC STRENGTH:
2,000VAC Min. for 1 Minute
- ELECTRICAL LIFE:
50,000 Cycles
- MECHANICAL LIFE:
1,000,000 Cycles
- TEMPERATURE:
Operating: -20°C to 70°C
- INGRESS PROTECTION:
IP65
- APPROVALS:
RoHS
COMPLIANT

MATERIALS

- BUSHING:
Stainless Steel (304)
- BASE:
Polycarbonate (PC)
- ACTUATOR:
Stainless Steel (304)
Polycarbonate (PC)
- HARDWARE:
Nickel Plated Brass (H59)
- SEALING:
Silicone Rubber
- INNER ASSEMBLY:
Polyoxymethylene (POM)
Polycarbonate (PC)
Brass (H62)
- SPRING:
Stainless Steel (Cr18Ni9)
- CONTACTS:
Silver/Cadmium Oxide (AgCdO)
- TERMINALS:
Brass (H62)
- O-RING:
Silicone Rubber

COLORS AND FINISH

- BEZEL:
Stainless Steel
Machine Finish
- ACTUATOR:
Stainless Steel
Machine Finish
- ILLUMINATION:
Blue (Forward)
Blue (Reverse)
- MARKING:
None



BODY	A	09/07/24	CAB
COLORS	A	09/07/24	CAB
MATERIALS	B	09/10/16	CAB
SPECIFICATIONS	A	09/07/27	CAB
REFERENCE	REV.	DATE	BY

THE INFORMATION CONTAINED IN THIS DOCUMENT IS PROPRIETARY TO E-SWITCH AND IS NOT TO BE COPIED OR TRANSFERRED

C	UPDATED RATING TO 2a @ 24VDC	23804	10/15/18	MJR
B	CORRECTED TERMINAL MATERIAL	PCRD0167	09/10/16	CAB
A	INITIAL RELEASE	PCRD0051	09/08/05	CAB
REV.	DESCRIPTION	PCR	DATE	DRAWN BY

DIMENSIONS	
INCHES [MILLIMETERS]	
GENERAL TOLERANCES	
±0.008 [±0.2] / ±1'	
SCALE	PROJECTION
DRAWING NOT TO SCALE	1:1

PV4F2Y0SS-341			
DRAWING NUMBER	DATE	REVISION	
52-PV4F2Y0SS341	OCTOBER 16, 2009	C	