

## SUMMARY

### # Wires

Low voltage 10

Series 2M  
Termination type Male crimp  
IP rating 68  
AWG wire size 24.00 - 20.00  
Cable Ø 6.50 - 13.00 mm  
Status active  
Matching parts [FMT.2M.310.XLMT](#)



*Image is for illustrative purpose only*

### Download

[Request a quote](#)

[Eplan](#)

[Catalog](#)

## TECHNICAL DETAILS

### Mechanics

Shell Style/Model PE\*: Fixed receptacle, nut fixing and mold stop  
Keying 3 keys (beta=135, gamma=90, plug: female contacts, receptacle: male contacts)  
Housing Material Aluminium (nickel plated [SAE AMS QQ N 290], anthracite color) shell and nut, other pieces bronze/brass  
Weight 12.98 g

### Performance

Configuration 2M.310 : 10 Low Voltage  
Insulator L: PEEK  
Rated Current 8 Amps

### Specifications

Contact Type: Crimp  
Contact Retention: 30 N  
Contact Dia.: 0.9 mm (0.035in)  
Bucket Dia.: 1.1 mm (0.043in)  
Min. Conductor: 0.25 mm<sup>2</sup> (AWG 24)  
Max. Conductor: 0.5 mm<sup>2</sup> (AWG 20)  
R (max): 4.8 mOhm  
Test voltage (kV rms) Contact-contact: 1.8

*LEMO products and services are provided "as is". LEMO makes no warranties or representations with regard to LEMO product & services or use of them, express, implied or statutory, including for accuracy, completeness, or security. The user is fully responsible for his products and applications using LEMO components.*

Test voltage (kV rms) Contact-shell: 1.2

## Others

Endurance (Shell): 3000 mating cycles

Temp (min / max): -20°C / +200°C

Humidity (max): 21 days at 95%

Gunfire vibration: 25 Hz - 2000 Hz, 3 axis (Apache helicopter)

Vibration-Sine: 30 g, 3 axes, 12 hr [10 Hz - 2000 Hz]

Vibration-Random: 37.8 g rms - 3 axes, 4 hr amb [50 Hz - 2000 Hz]

Shock Resistance: 300 g [ 3 ms]

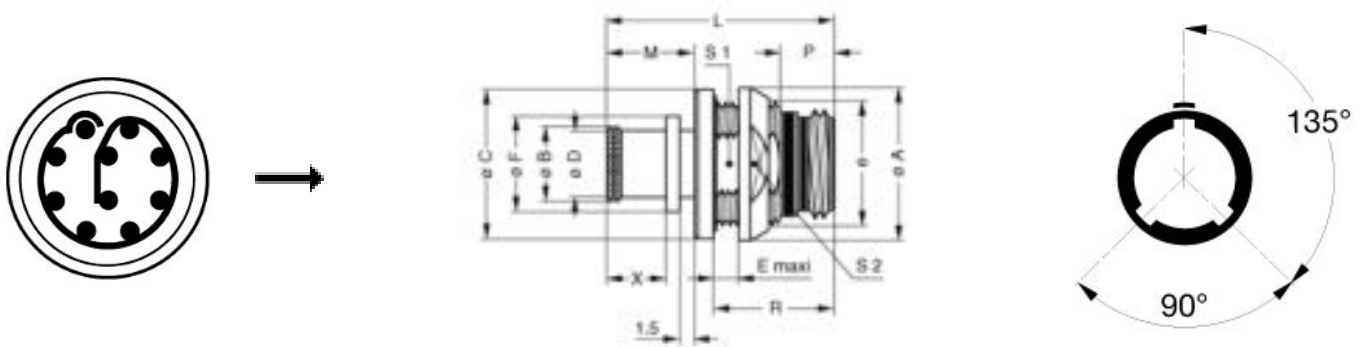
Lighting strike EIA 364-75: 10K amps - 6 times

Thermal shock: 5 cycles: -65°C to +150°C

EMI Shielding EIA 364-66A: >= 80 dB (1 GHz), >=70 dB (3 GHz), >= 58 dB (6 GHz), >= 40 dB (10 GHz)

Salt Spray Corrosion: max. 48 hr

## DRAWINGS



## Dimensions

|     | A    | B    | C    | D    | E    | Lr   | Ls   | M    | P    | R    | S1   | S2   | e        |
|-----|------|------|------|------|------|------|------|------|------|------|------|------|----------|
| mm. | 21   | 14   | 20.8 | 13   | 5    | 26   | 26   | 10.1 | 5.3  | 13.8 | 15.5 | 18   | M17x1.00 |
| in. | 0,83 | 0,55 | 0,82 | 0,51 | 0,20 | 1,02 | 1,02 | 0,40 | 0,21 | 0,54 | 0,61 | 0,71 |          |

## RECOMMENDED BY LEMO

LEMO products and services are provided "as is". LEMO makes no warranties or representations with regard to LEMO product & services or use of them, express, implied or statutory, including for accuracy, completeness, or security. The user is fully responsible for his products and applications using LEMO components.

## Tools

|                      |                                 |
|----------------------|---------------------------------|
| Crimp Tool:          | <a href="#">DPC.91.701.V</a>    |
| Crimp settings:      | AWG/Selector = 20-22-24/6-5-5   |
| Positionner:         | <a href="#">DCE.91.090.5MVC</a> |
| Extractor:           | <a href="#">DCF.93.090.4LT</a>  |
| Replacement contact: | FGN.0M.560.ZZC                  |
| Spanner wrench:      | <a href="#">DCM.65.000.4PA</a>  |

## Cables

*LEMO products and services are provided "as is". LEMO makes no warranties or representations with regard to LEMO product & services or use of them, express, implied or statutory, including for accuracy, completeness, or security. The user is fully responsible for his products and applications using LEMO components.*