

Customer Information Sheet

DRAWING No.: G125-MS1XX05M3P

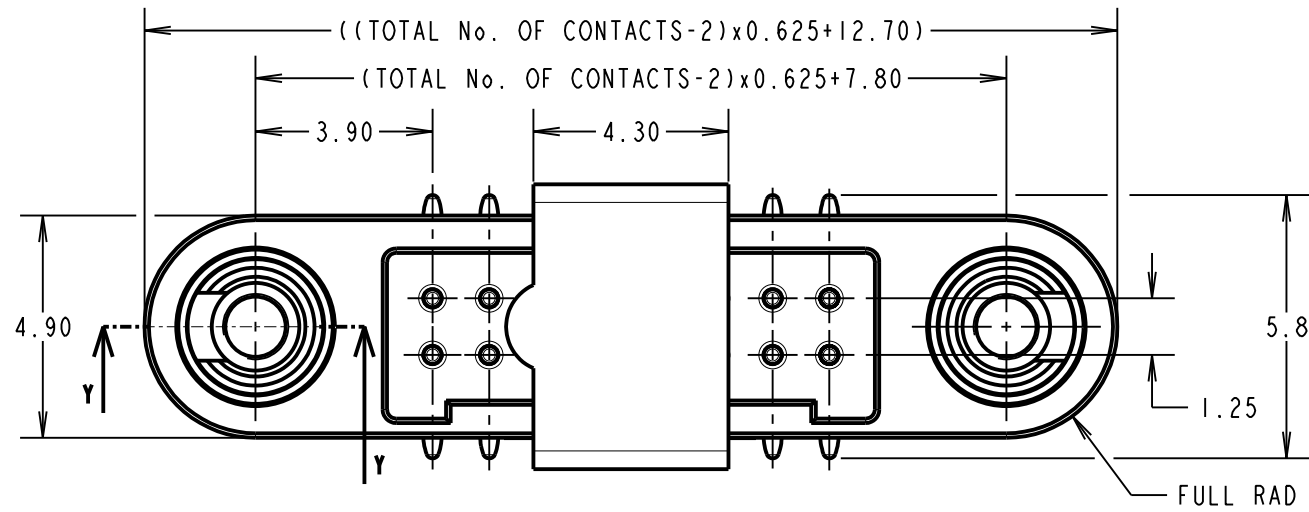
IF IN DOUBT - ASK

©

NOT TO SCALE

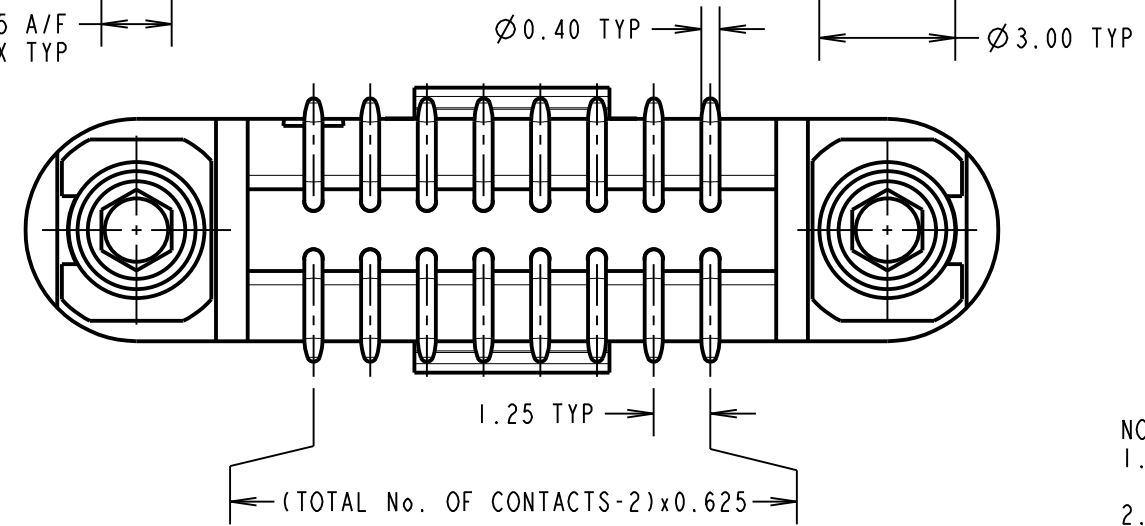
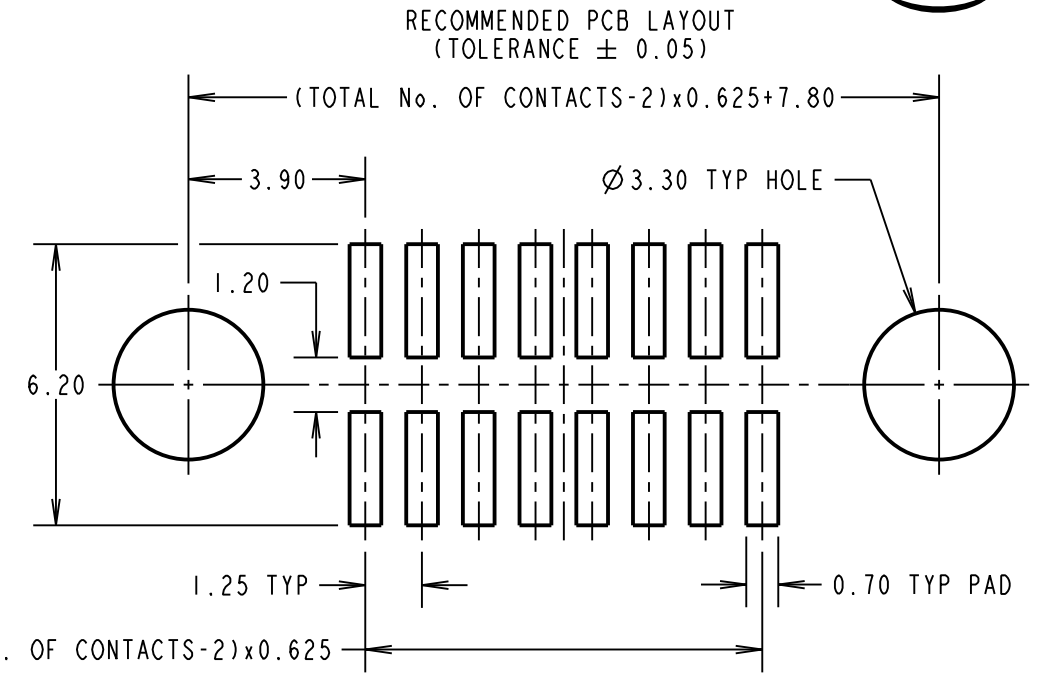
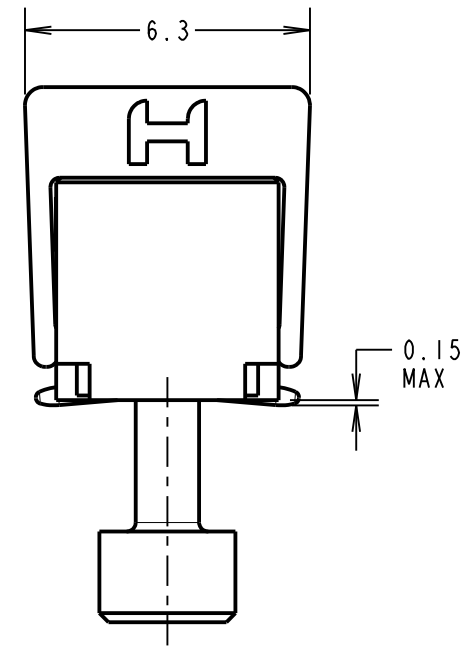
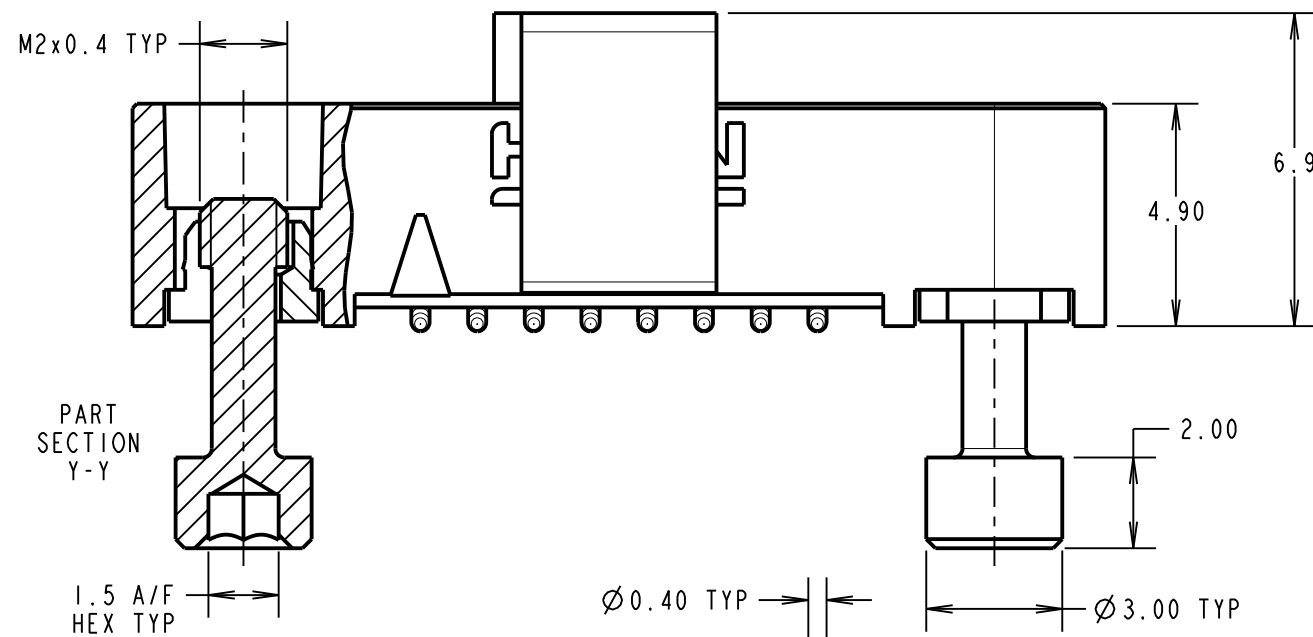
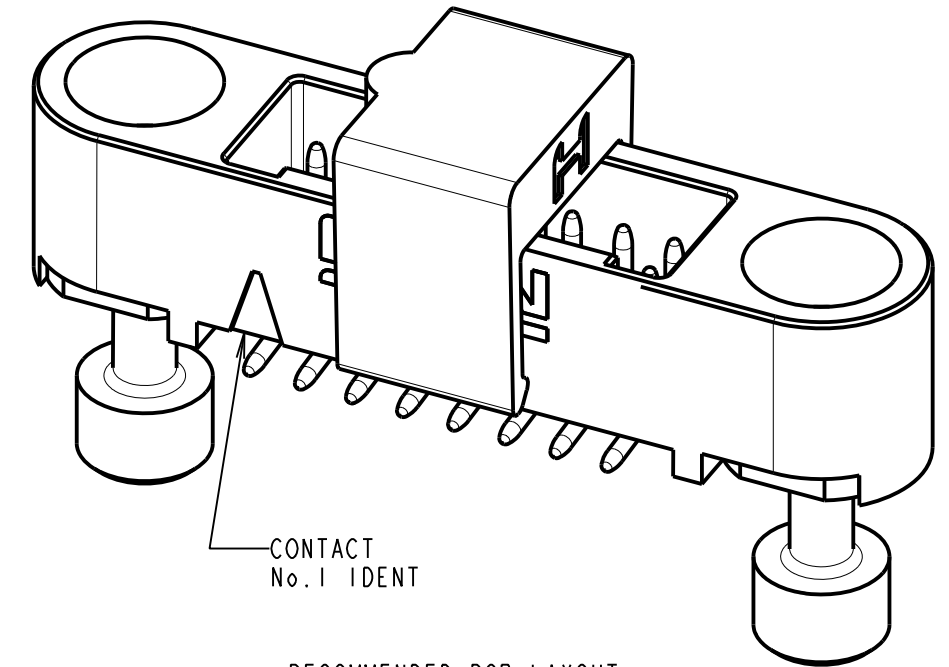
THIRD ANGLE PROJECTION

ALL DIMENSIONS IN mm



ORDER CODE:
G125-MS1XX05M3P

TOTAL No. OF CONTACTS:
06, 10, 12, 16, 20, 26, 34 & 50.



CONNECTOR AND PCB LAYOUT DETAILS ONLY.
SEE SHEET 4 FOR TAPE STRIP DETAILS.

- NOTES:
- FOR MATERIALS, FINISH AND SPECIFICATIONS SEE GECKO SERIES SPECIFICATION SUMMARY SHEET OR COMPONENT SPECIFICATION C125XX (LATEST ISSUE) FOR FULL SPECIFICATION.
 - CO-PLANARITY OF SMT TAILS = 0.10mm MAX.
 - DRAWING SHOWS CONNECTOR WITH 16 CONTACTS.

RA	2	17.09.20	30145
NAME	ISS.	DATE	CN/CO
APPROVED: R.ALEXANDER			
CHECKED: R.PORTLOCK			
DRAWN: MARK G PLESTED			
CUSTOMER REF.:			
ASSEMBLY DRG:			



 www.harwin.com technical@harwin.com	THIS DRAWING AND ANY INFORMATION OR DESCRIPTIVE MATTER SET OUT HEREON ARE CONFIDENTIAL AND COPYRIGHT PROPERTY OF THE HARWIN GROUP AND MUST NOT BE DISCLOSED, LOANED, COPIED OR USED FOR MANUFACTURING, TENDERING OR FOR ANY OTHER PURPOSE WITHOUT THEIR WRITTEN PERMISSION.	TOLERANCES X. = ±1mm X.X = ±0.50mm X.XX = ±0.20mm X.XXX = ±0.01mm ANGLES = ±5° UNLESS STATED	MATERIAL: SEE ABOVE	TITLE: GECKO SL REVERSE FIX MALE VERT. SMT CONNECTOR IN TAPE
		FINISH: SEE ABOVE	S/AREA: mm ²	DRAWING NUMBER: G125-MS1XX05M3P

Customer Information Sheet

DRAWING No.: G125-MS1XX05M3P

IF IN DOUBT - ASK

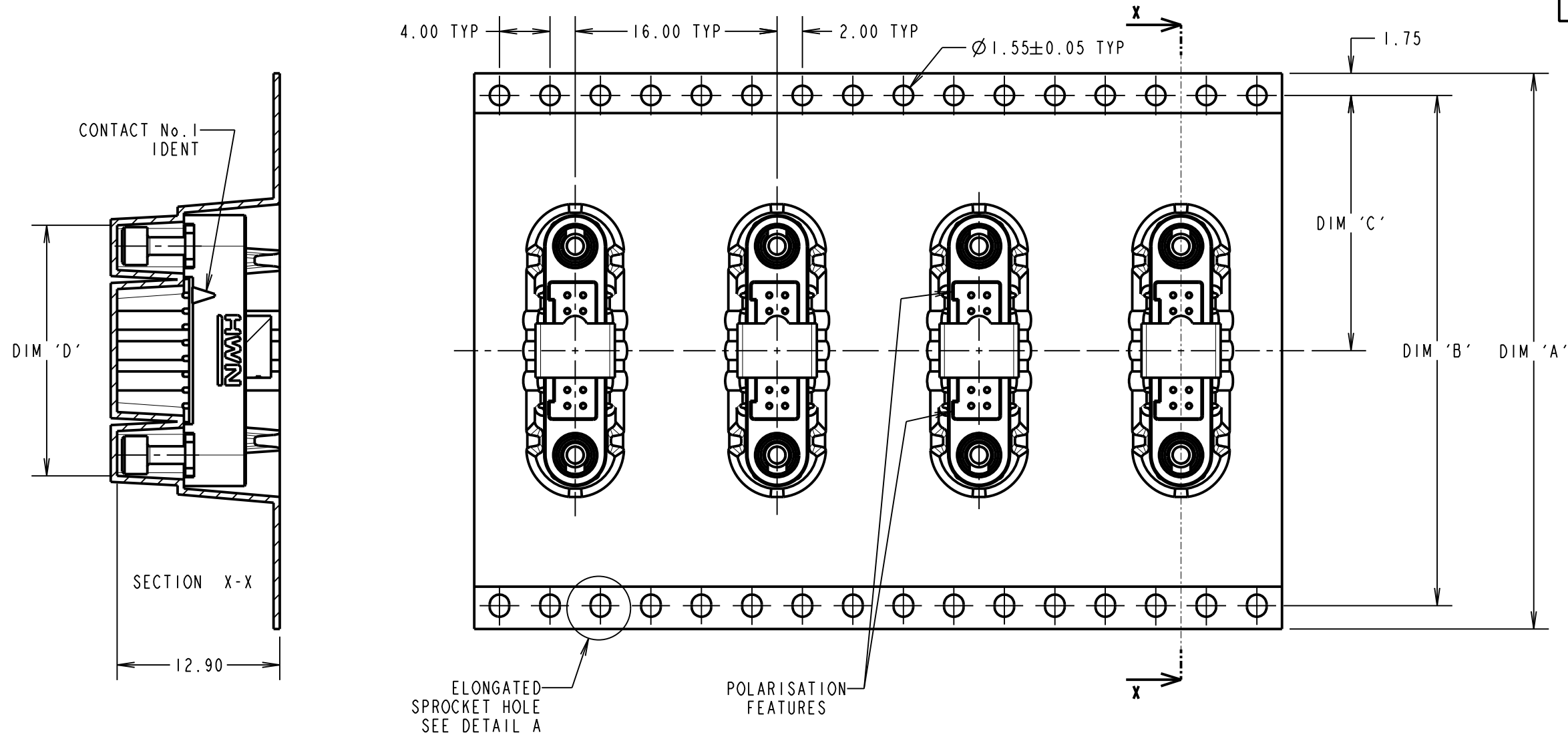
©

NOT TO SCALE

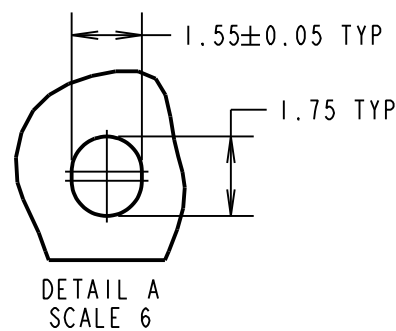
THIRD ANGLE PROJECTION

ALL DIMENSIONS IN mm

ORDER CODE: **G125-MS1XX05M3P**
 TOTAL No. OF CONTACTS: _____
 06, 10, 12, 16, 20, 26, 34 & 50.



TAPE STRIP DETAILS ONLY. SEE SHEET 3 FOR CONNECTOR AND PCB LAYOUT DETAILS.



- NOTES CONT.:
- COMPONENTS ARE ORIENTED IN TAPE POCKETS AS SHOWN.
 - COMPONENTS ARE SUPPLIED IN STRIPS OF TAPE. SUPPLIED QUANTITY MAY CONSIST OF MORE THAN ONE STRIP. STRIP LENGTH MAY VARY.
 - LARGE QTY'S MAY BE SHIPPED ON A REEL AND MAY NOT HAVE A LEADER.
 - FOR PARTS ON REEL SUITABLE FOR AUTOMATIC MACHINE PLACEMENT PLEASE ORDER G125-MS1XX05M3R.

PART No.	DIM 'A'	DIM 'B'	DIM 'C'	DIM 'D'
G125-MS10605M3P	32.0±0.3	28.40	14.20	13.60
G125-MS11005M3P				16.10
G125-MS11205M3P				17.35
G125-MS11605M3P	44.0±0.3	40.40	20.20±0.15	19.85
G125-MS12005M3P				22.20±0.15
G125-MS12605M3P				26.00±0.15
G125-MS13405M3P	56.0±0.3	52.40	26.20±0.15	30.90±0.15
G125-MS15005M3P				41.00±0.15

MR	1	08.11.18	21629
NAME	ISS.	DATE	CN/CO
APPROVED: M.RUDKIN			
CHECKED: B.BORNEOCK			
DRAWN: MARK G PLESTED			
CUSTOMER REF.:			
ASSEMBLY DRG:			

HARWIN
 www.harwin.com
 technical@harwin.com

THIS DRAWING AND ANY INFORMATION OR DESCRIPTIVE MATTER SET OUT HEREON ARE CONFIDENTIAL AND COPYRIGHT PROPERTY OF THE HARWIN GROUP AND MUST NOT BE DISCLOSED, LOANED, COPIED OR USED FOR MANUFACTURING, TENDERING OR FOR ANY OTHER PURPOSE WITHOUT THEIR WRITTEN PERMISSION.

TOLERANCES
 X. = ±1mm
 X.X = ±0.50mm
 X.XX = ±0.20mm
 X.XXX = ±0.01mm
 ANGLES = ±5°
 UNLESS STATED

MATERIAL:
 SEE SHEET 3
 FINISH: SEE SHEET 3
 S/AREA: mm²

TITLE:
 GECKO SL REVERSE FIX MALE VERT. SMT CONNECTOR IN TAPE
 DRAWING NUMBER:
G125-MS1XX05M3P
 SHT 4 OF 4