

## Tool Specification

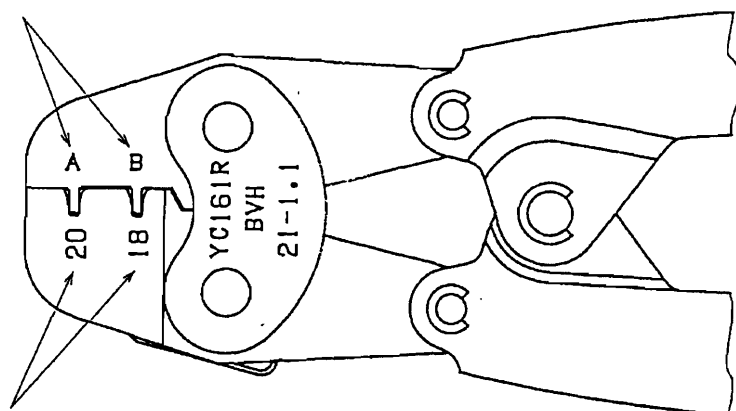
1. Part Number: YC-161R

2. Terminal: BVH-21T-P1.1

3. Application

Crimp Position	AWG UL1007	Tensile Strength N (kgf)	Strip Length mm
A	AWG 20	63.7(6.5) min.	3.1
B	AWG 18	78.4(8.0) min.	3.1

Crimp Position



AWG

- Check the crimp appearance and tensile strength prior to use.
- Select the appropriate crimp position based on the AWG that will be used.
- The insulation barrel is set for type of wire listed and is not adjustable.