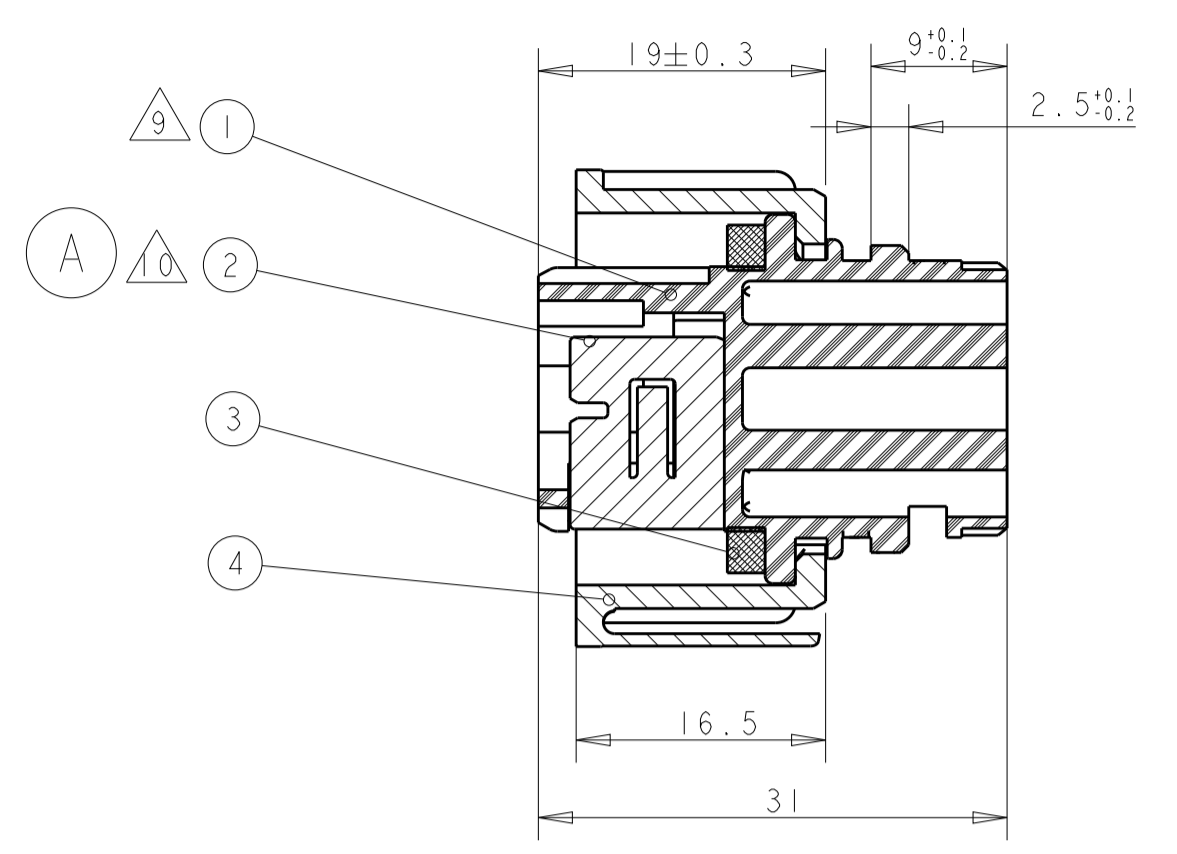
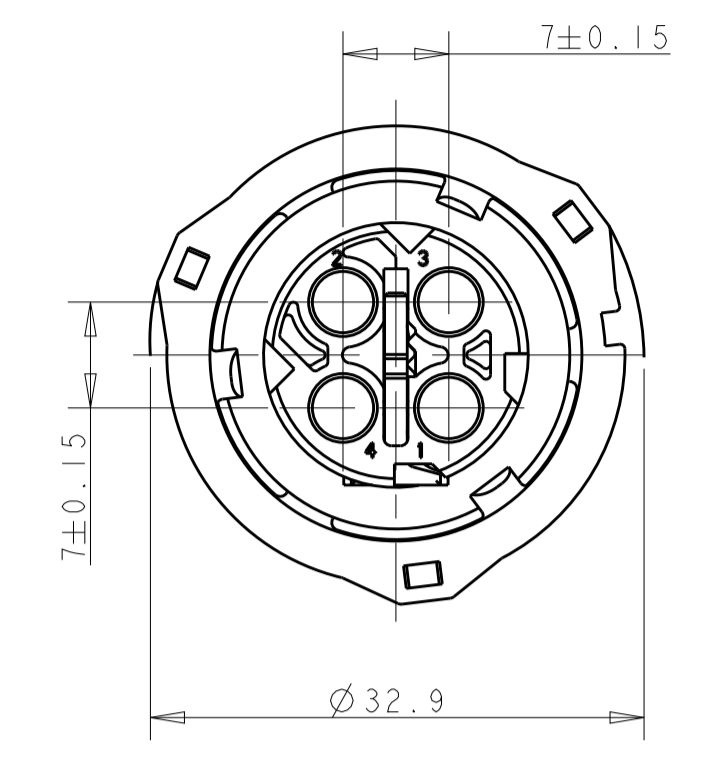


COUPLING RING IN PRE-LOCKED POSITION (FITTING POSITION WITH PIN HOUSING)

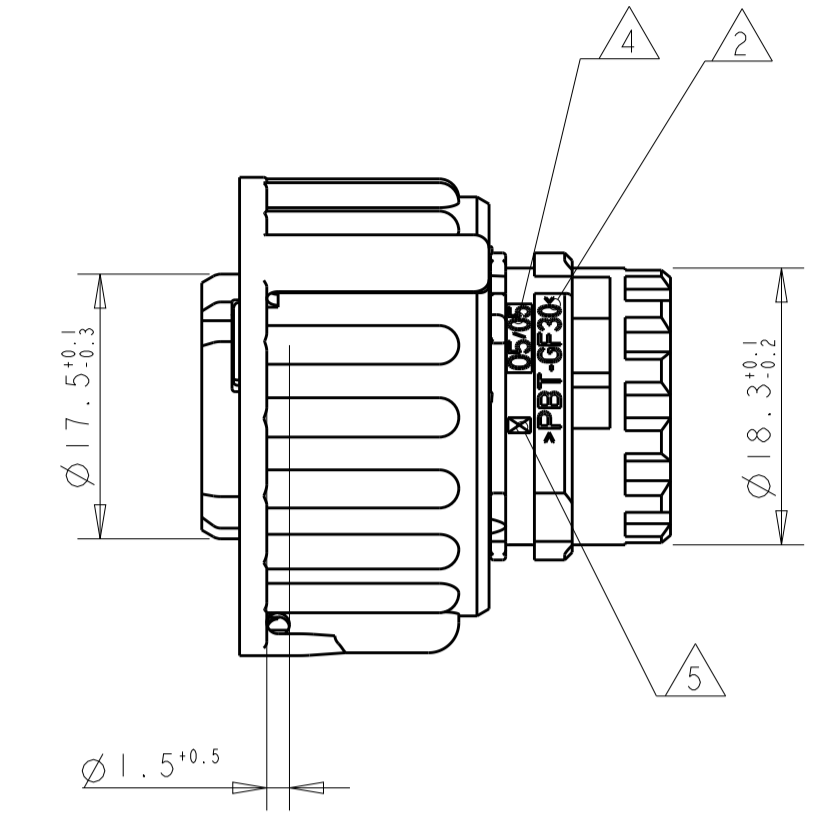


SECTION A-A

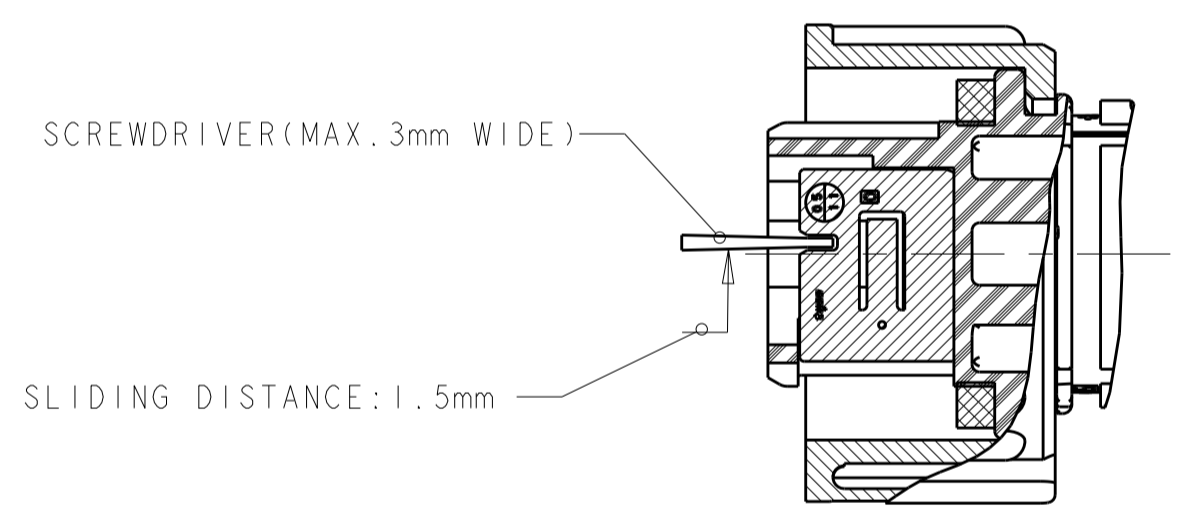
SECOND LOCKING DEVICE IN PRE-LOCKED POSITION



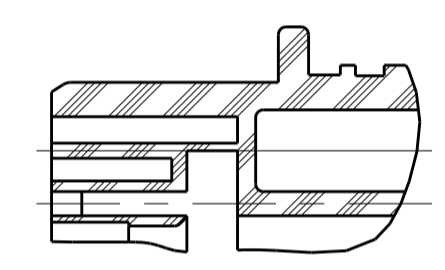
VIEW C ROTATED



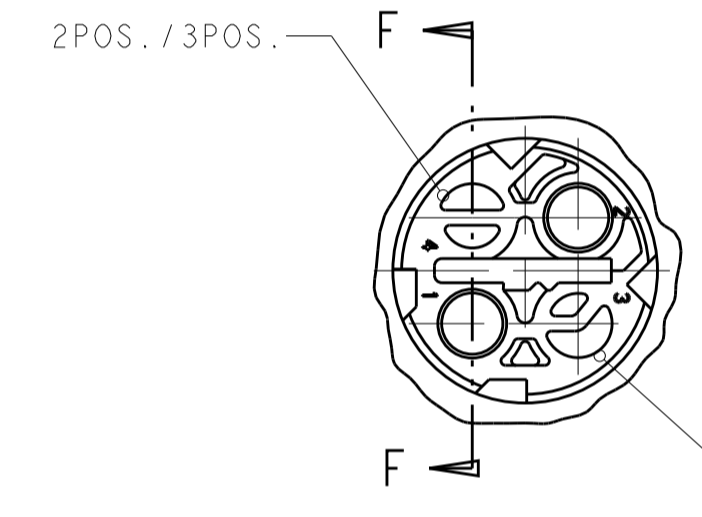
SECOND LOCKING DEVICE IN LOCKED POSITION



SECTION A-A

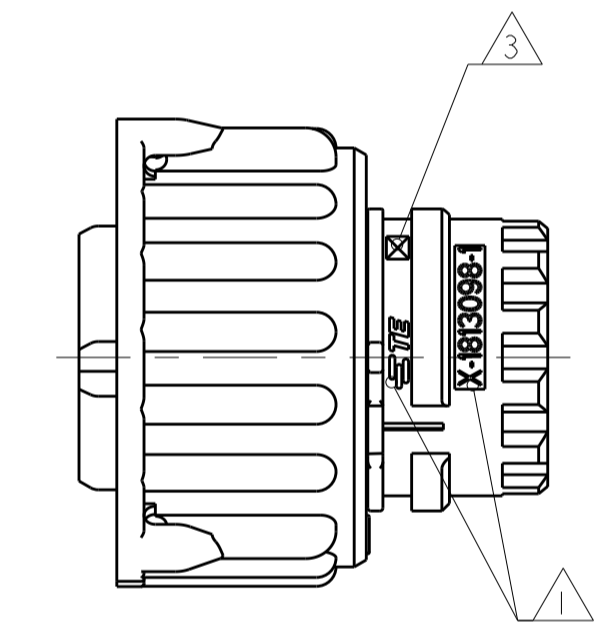


SECTION F-F



CLOSED CAVITY OF THE 2POS./3POS. SOCKET HOUSING

VIEW D ROTATED



NOTES:

- 1 TYCO LOGO AND TYCO NUMBER OF SINGLE PART
- 2 MATERIAL MARKING
- 3 REVISION OF THE MOULD
- 4 PRODUCTION DATE
- 5 CAVITY MARKING
- 6. FITS TO CONNECTORS ACC. TO DIN 72585/ISO 15170 FORM A AND B AND PIN-HOUSING 2-4POS. TYCO-PN 967402
- 7. FOR SUITABLE CONTACTS SEE DRAWING: TYCO-PN:1355065  
MAX. WIRE THICKNESS:2.5mm FLR  
FOR SUITABLE SEALS SEE DRAWING: TYCO-PN:1355070
- 8. BULK PACKING IN CARDBOARD BOX
- 9 CODING ACC. TO DIN 72585/ISO15170

MATERIAL	COLOR	DESCRIPTION	ITEM
PA66-GF35	BLACK	COUPLING RING	4
SILICONE RUBBER	ORANGE	SEAL	3
PA6/6T-GF25	YELLOW	SECOND LOCKING DEVICE	2
PBT-GF30	BLUE	2POS. SOCKET HOUSING(BLUE)	1
PBT-GF30	BLUE	3POS. SOCKET HOUSING(BLUE)	1
PBT-GF30	BLUE	4POS. SOCKET HOUSING(BLUE)	1
PBT-GF30	GREEN	2POS. SOCKET HOUSING(GREEN)	1
PBT-GF30	GREEN	3POS. SOCKET HOUSING(GREEN)	1
PBT-GF30	GREEN	4POS. SOCKET HOUSING(GREEN)	1
PBT-GF30	GREY	2POS. SOCKET HOUSING(GREY)	1
PBT-GF30	GREY	3POS. SOCKET HOUSING(GREY)	1
PBT-GF30	GREY	4POS. SOCKET HOUSING(GREY)	1
PBT-GF30	BLACK	2POS. SOCKET HOUSING(BLACK)	1
PBT-GF30	BLACK	3POS. SOCKET HOUSING(BLACK)	1
PBT-GF30	BLACK	4POS. SOCKET HOUSING(BLACK)	1

AI AI AI AI AI AI

THIS DRAWING IS A CONTROLLED DOCUMENT.

DIMENSIONS: mm	TOLERANCES UNLESS OTHERWISE SPECIFIED: % TYPICAL	DWN: A. ZHANG 03JUN2005	CHK: R. ZHOU 25OCT2005
MATERIAL: SEE TABLE	FINISH: -	APVD: K. QDA 03NOV2005	NAME: -

PRODUCT SPEC: 108-101006  
APPLICATION SPEC: 114-18255-0

SCALE: 2:1 SHEET 1 OF 1 REV: A1

STE TE Connectivity

2.5mm SOCKET CONNECTOR. 2-4POS WITH SECONDARY LOCKING

SIZE: CAGE CODE: DRAWING NO: A100779 ©=1813099