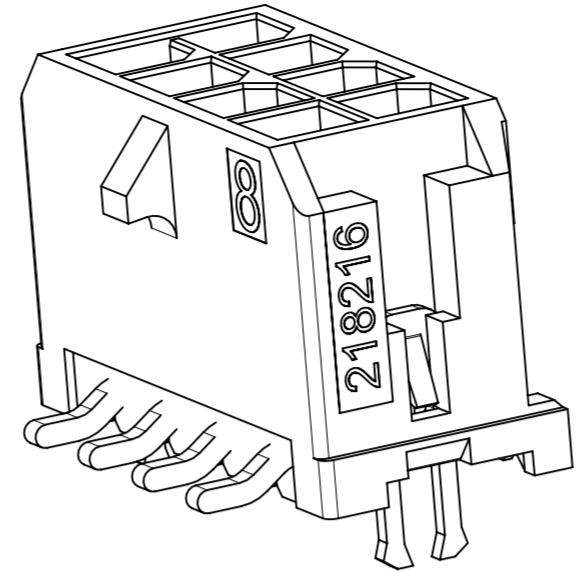


FINISH TYPE	"0" TIN	"1" 15MICROINCH GOLD	"2" 30MICROINCH GOLD	A	B	C	D
2	2182160230	2182160231	2182160232	7.16	NA	2.95	4.30
4	2182160430	2182160431	2182160432	10.16	3.00	2.95	7.30
6	2182160630	2182160631	2182160632	13.16	6.00	2.95	10.30
8	2182160830	2182160831	2182160832	16.16	9.00	7.70	13.30



**LEGEND**

218216 - \* \* \* \*

SERIES NO. \_\_\_\_\_

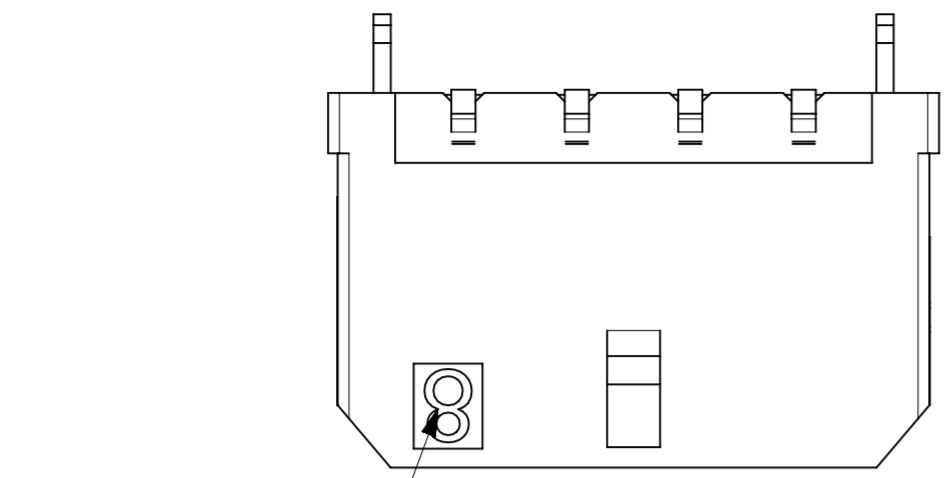
CKT NO. \_\_\_\_\_

OPTION

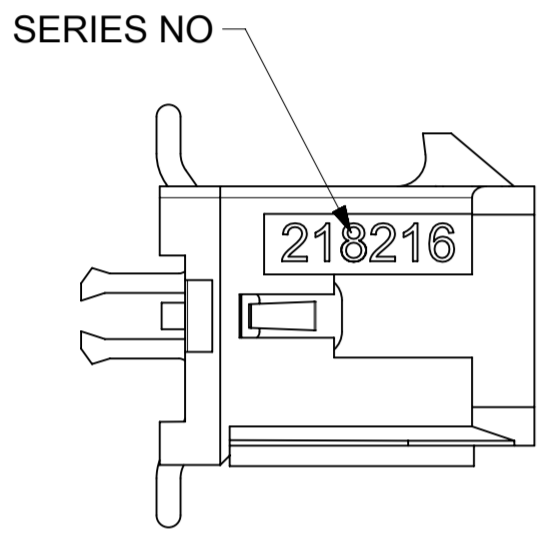
0: RIGHT ANGLE WITH NAIL  
 1: RIGHT ANGLE WITH CLIP  
 2: VERTICAL WITH NAIL  
 3: VERTICAL WITH CLIP

PLATING OPTION

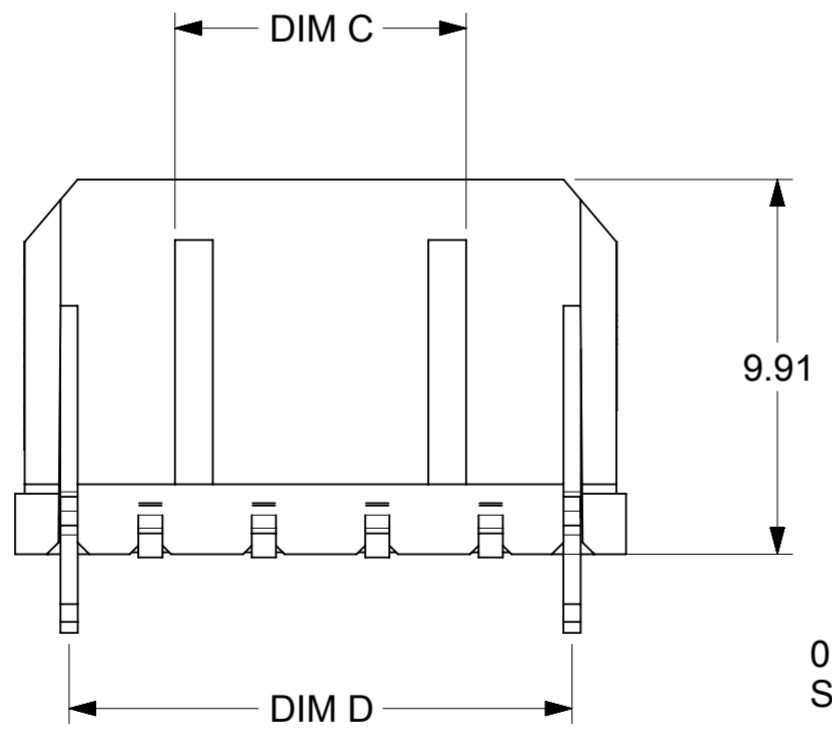
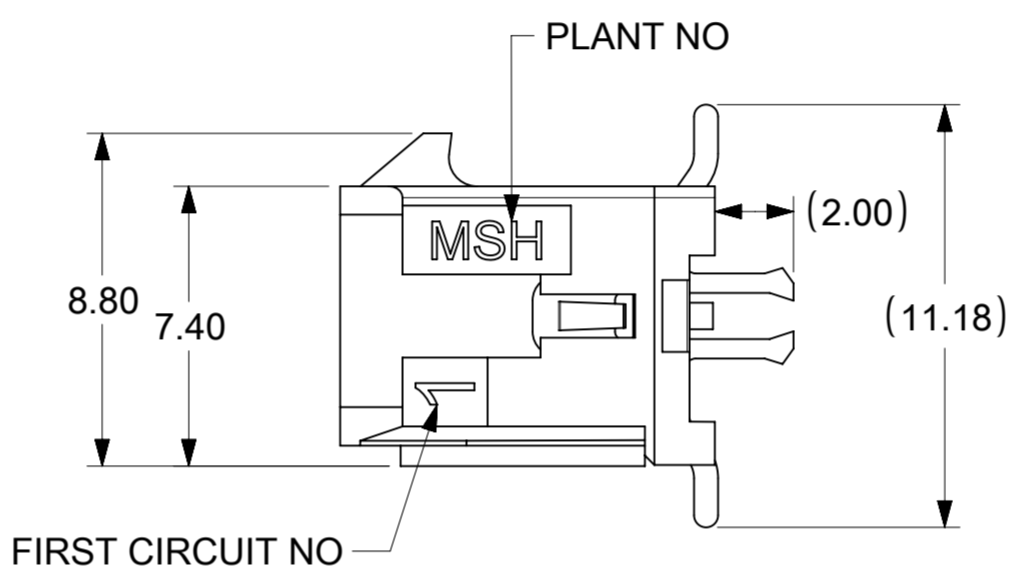
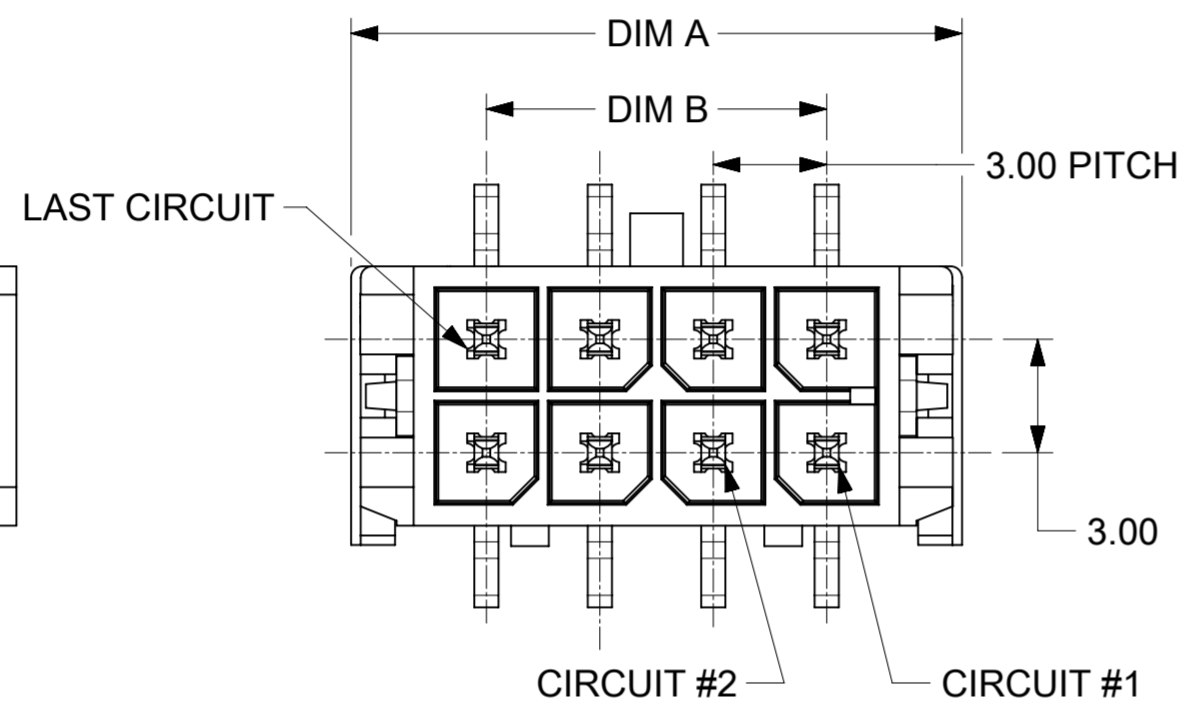
0: TIN  
 1: 15MICROINCH AU  
 2: 30MICROINCH AU



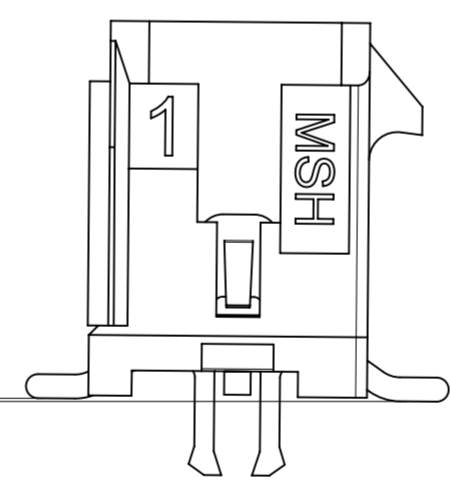
LAST CIRCUIT NO



SERIES NO

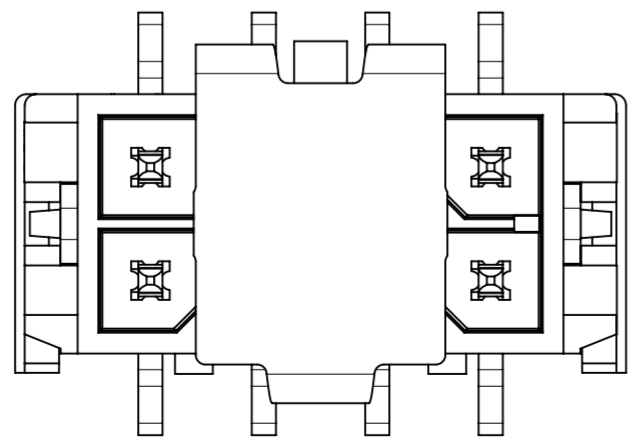


0.15 MAX  
SEE NOTE 7



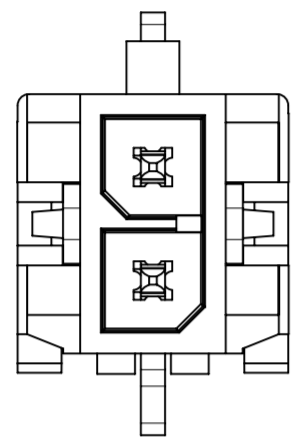
**NOTES:**

- HOSING MATERIAL: GLASS FILLED LIQUID CRYSTAL POLYMER, UL 94V-0, COLOR: BLACK  
 TERMINAL MATERIAL: HIGH COPPER ALLOY
- FINISH:  
 OPTION "0": REFLOW MATTE TIN OVER NICKEL  
 OPTION "1": SELECT 15MICROINCH GOLD AND SELECT MATTE TIN OVER NICKEL.  
 OPTION "2": SELECT 30MICROINCH GOLD AND SELECT MATTE TIN OVER NICKEL.
- PRODUCT SPECIFICATION : 2064600000-PS
- PRODUCT TEST SUMMARY: 2064600000-TS
- T&R PACK : 2182160001-PK
- MATE WITH RECEPTACLE 206461
- THE COPLANARITY DIMENSION IS ESTABLISHED BY PLACING THE ASSEMBLY ON A FLAT SURFACE. THE DISTANCE FROM THAT SURFACE TO THE BOTTOM OF ANY TERMINAL OR NAIL MUST NOT EXCEED 0.15
- THIS PART CONFORMS TO CLASS 'B' REQUIREMENTS OF COSMETIC SPECIFICATION PS-45499-002.

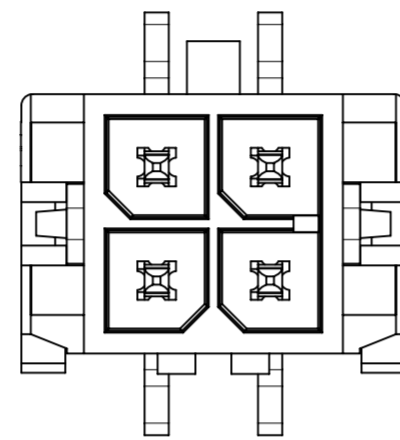


SHOWN WITH DISPOSABLE CAP (43555-000\*)  
SEE NOTE 5

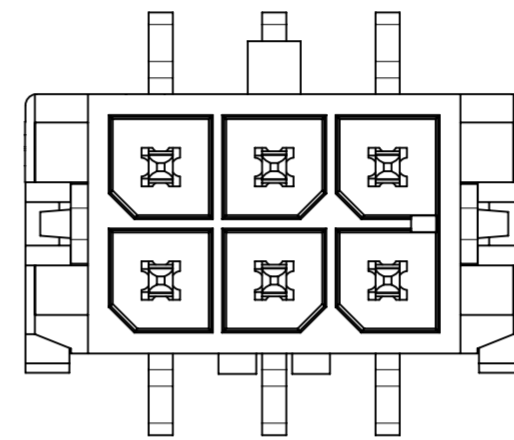
THIS DRAWING CONTAINS INFORMATION THAT IS PROPRIETARY TO MOLEX ELECTRONIC TECHNOLOGIES, LLC AND SHOULD NOT BE USED WITHOUT WRITTEN PERMISSION									
DIMENSION UNITS		SCALE		CURRENT REV DESC:					
mm		NTS		<p><b>molex</b></p> <p>MICRO-FIT PLUS DUAL ROW VERTICAL SMT HEADER WITH PRESS CLIP</p> <p>PRODUCT CUSTOMER DRAWING</p> <p>DOCUMENT NUMBER: 2182160030-SD   DOC TYPE: PSD   DOC PART: 000   REVISION: A</p> <p>MATERIAL NUMBER: SEE TABLE   CUSTOMER: GENERAL MARKET   SHEET NUMBER: 1 OF 2</p>					
GENERAL TOLERANCES (UNLESS SPECIFIED)									
ANGULAR TOL ± 3.0°									
4 PLACES ±		EC NO: 724761							
3 PLACES ±		DRWN: ZIXUAQ 2022/09/07							
2 PLACES ± 0.25		CHK'D: XQZHANG 2022/10/17							
1 PLACE ± 0.36		APPR: XQZHANG 2022/10/17							
0 PLACES ±		INITIAL REVISION:							
DRAFT WHERE APPLICABLE MUST REMAIN WITHIN DIMENSIONS		THIRD ANGLE PROJECTION		DRAWING: A2-SIZE		SERIES: 218216		MATERIAL NUMBER: SEE TABLE	



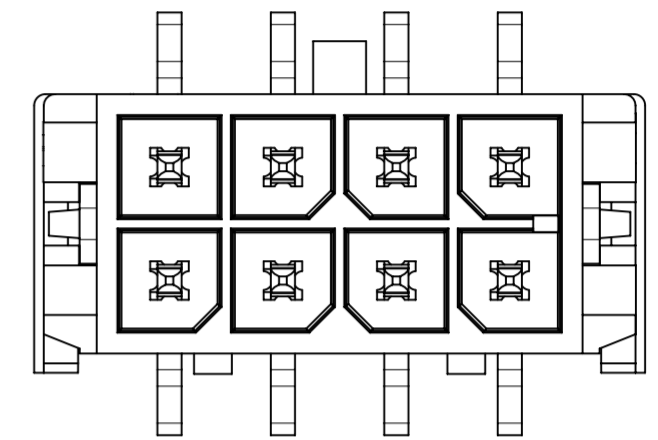
2CKT



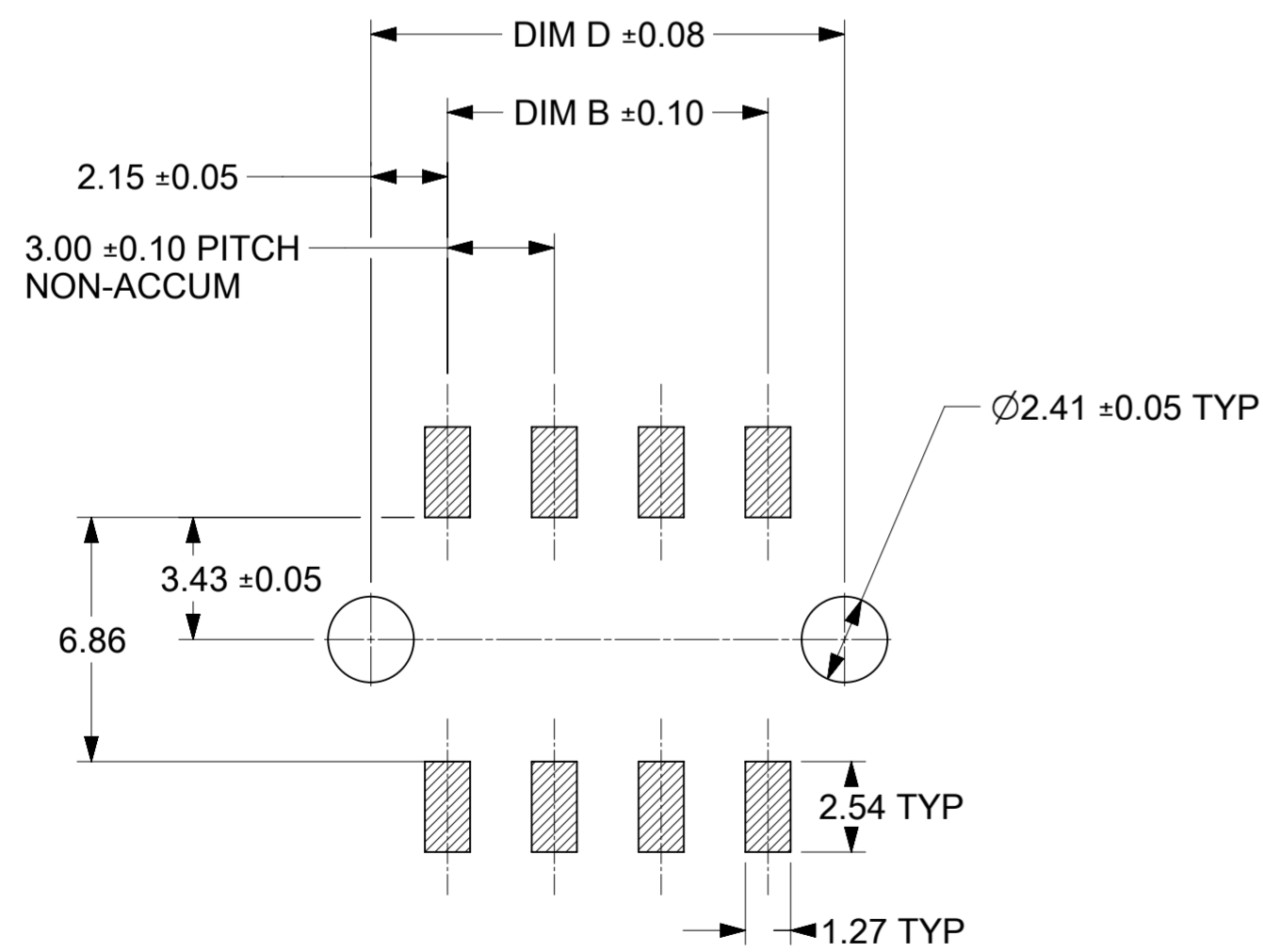
4CKT



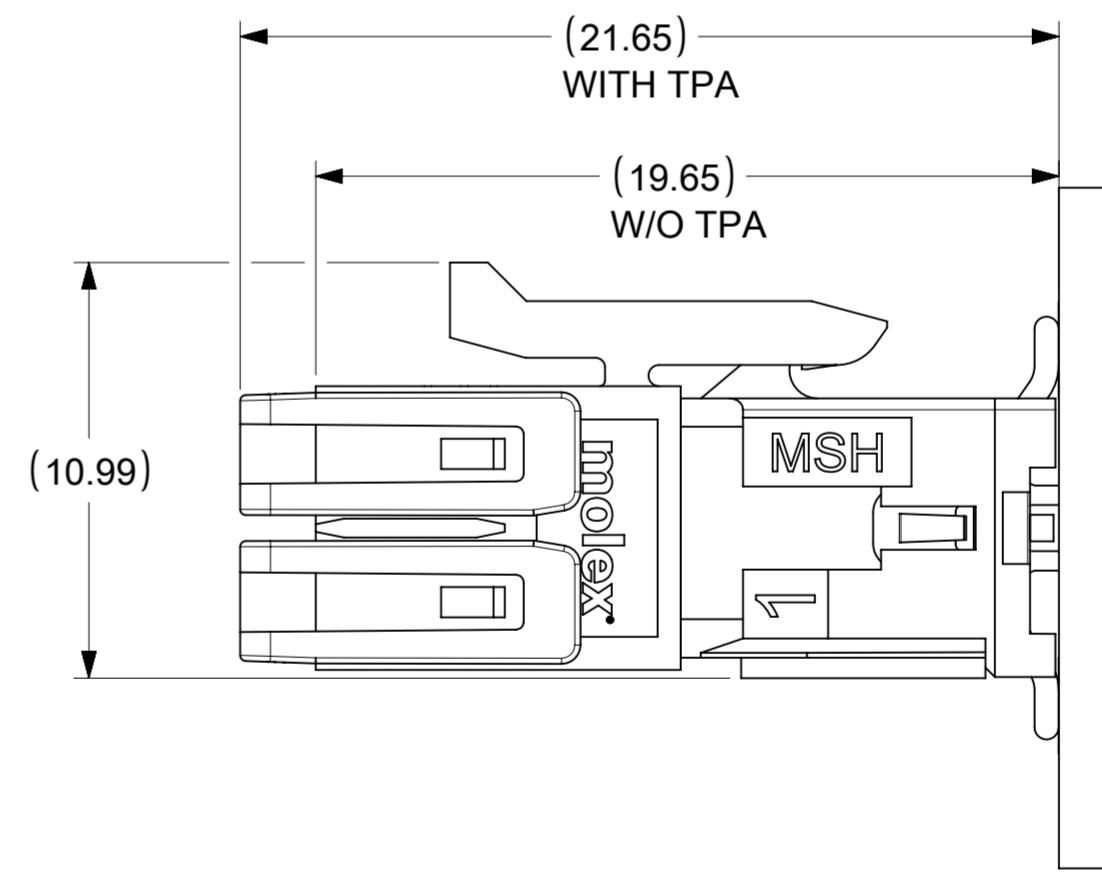
6CKT



8CKT



PCB LAYOUT: COMPONENT SIDE  
 RECOMMENDED THICKNESS : 1.60  $\pm 0.05$ MM



THIS DRAWING CONTAINS INFORMATION THAT IS PROPRIETARY TO MOLEX ELECTRONIC TECHNOLOGIES, LLC AND SHOULD NOT BE USED WITHOUT WRITTEN PERMISSION									
DIMENSION UNITS	SCALE	CURRENT REV DESC:							
mm	NTS								
GENERAL TOLERANCES (UNLESS SPECIFIED)					<b>MICRO-FIT PLUS DUAL ROW VERTICAL SMT HEADER WITH PRESS CLIP</b>				
ANGULAR TOL	$\pm 3.0^\circ$								
4 PLACES	$\pm$	EC NO: 724761	2022/09/07	<b>PRODUCT CUSTOMER DRAWING</b>					
3 PLACES	$\pm$	DRWN: ZIXUAQ	2022/10/17						
2 PLACES	$\pm 0.25$	CHK'D: XQZHANG	2022/10/17	DOCUMENT NUMBER: <b>2182160030-SD</b>					
1 PLACE	$\pm 0.36$	APPR: XQZHANG	2022/10/17						
0 PLACES	$\pm$	INITIAL REVISION:		DOC TYPE: PSD	DOC PART: 000	REVISION: A			
DRAFT WHERE APPLICABLE MUST REMAIN WITHIN DIMENSIONS		THIRD ANGLE PROJECTION	DRAWING: A2-SIZE	SERIES: 218216	MATERIAL NUMBER: SEE TABLE	CUSTOMER: GENERAL MARKET	SHEET NUMBER: 2 OF 2		