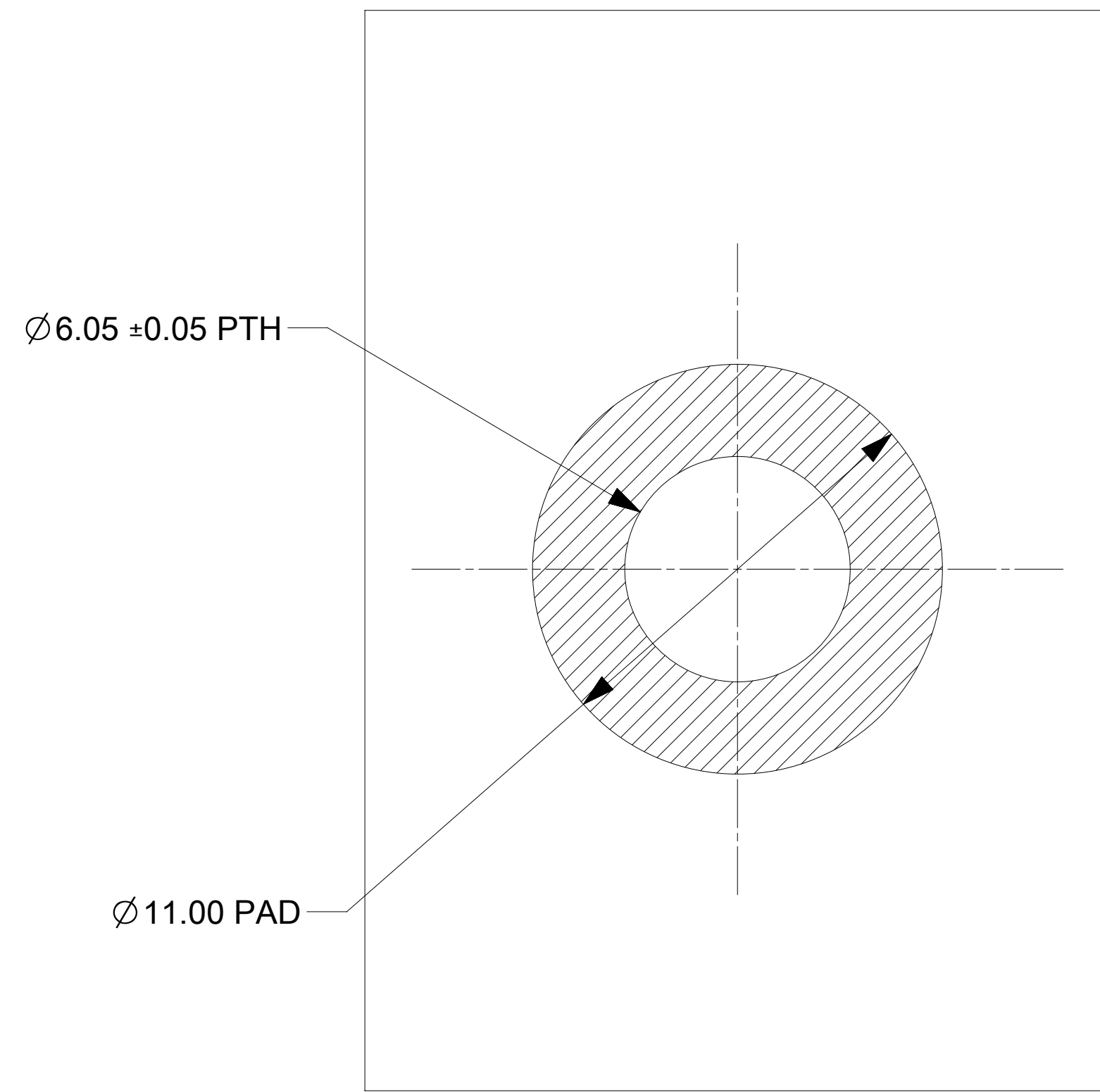
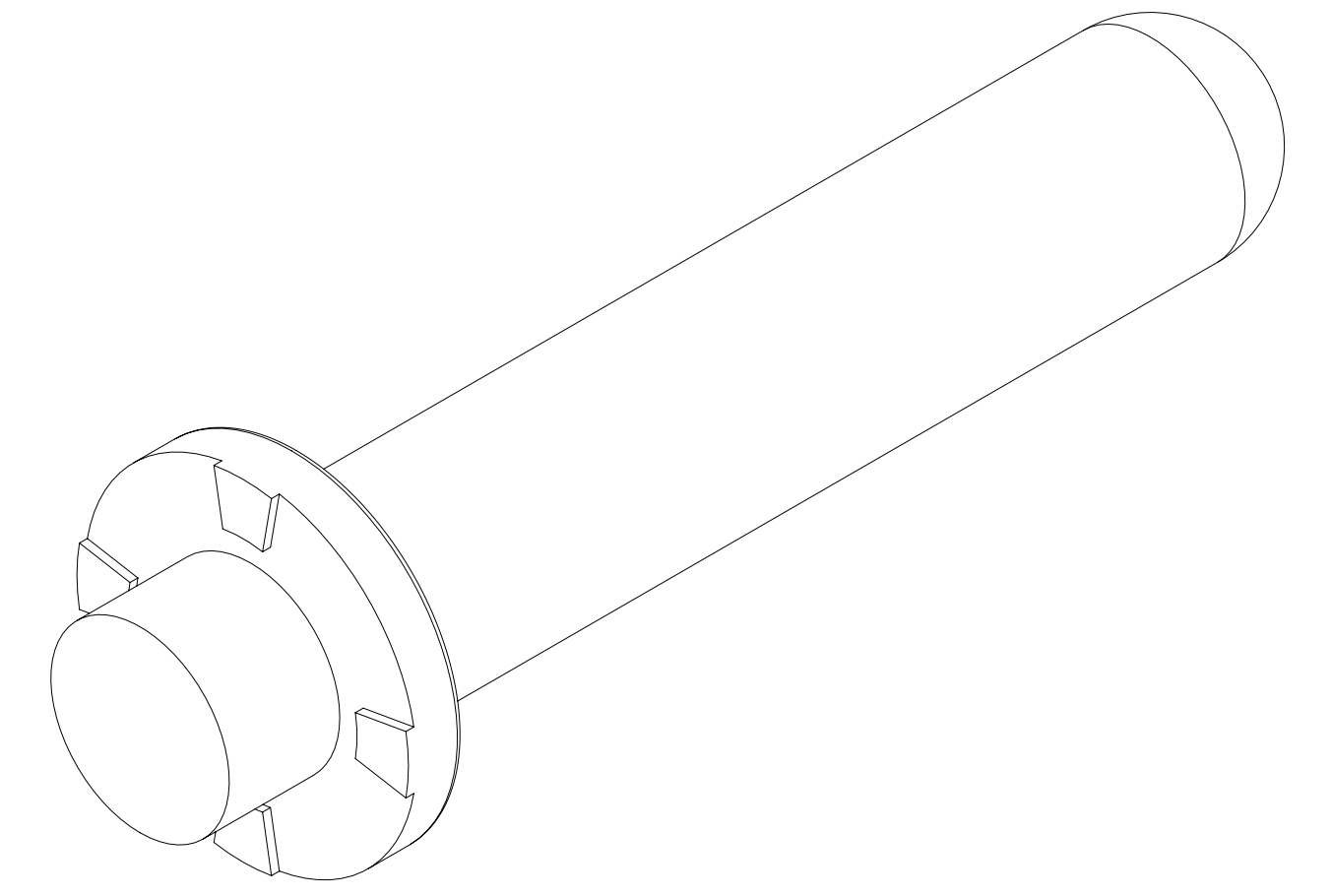


PART NUMBER	DIMENSION "L"
203263-0106	26.00
203263-0116	20.00
203263-0126	14.00
203263-0136	31.75
203263-0146	29.50
203263-0156	16.00
A3 203263-0176	37.20



RECOMMENDED PCB LAYOUT

NOTES:

- MATERIALS:
  - BASE METAL: HIGH CONDUCTIVE COPPER ALLOY
  - PLATING ON BODY: 3.18 MICRON MIN SILVER OVER 1.27 MICRON MIN NICKEL
- PRODUCT SPECIFICATION: 2043130006-PS
- APPLICATION SPECIFICATION: 2043130006-AS
- PACKAGING SPECIFICATION: 2032630006-PK
- SILVER COMPONENTS WILL BE SUPPLIED TARNISH FREE BUT MAY TARNISH OVER TIME
- MINIMUM RECOMMENED PCB THICKNESS 1.58MM

THIS DRAWING CONTAINS INFORMATION THAT IS PROPRIETARY TO MOLEX ELECTRONIC TECHNOLOGIES, LLC AND SHOULD NOT BE USED WITHOUT WRITTEN PERMISSION										
DIMENSION UNITS	SCALE	CURRENT REV DESC: ADDED NEW PART NUMBER 203263-0176								
mm	5:1									
GENERAL TOLERANCES (UNLESS SPECIFIED)		EC NO: 660722			6.0MM CST STD (SMT), MALE PIN					
ANGULAR TOL	± 0.5°	DRWN: GJEEVANSURES 2020/11/06			PRODUCT CUSTOMER DRAWING					
4 PLACES	±	CHK'D: GJEEVANSURES 2021/04/13			DOCUMENT NUMBER					
3 PLACES	±	APPR: HTHYAGARAJ 2021/04/20			2032630136-SD			DOC TYPE	DOC PART	REVISION
2 PLACES	± 0.15	INITIAL REVISION:			PSD 000 A3					
1 PLACE	± 0.25	DRWN: RLOW 2019/06/05			MATERIAL NUMBER					
0 PLACES	±	APPR: BPISZCZOR 2019/06/10			CUSTOMER					
DRAFT WHERE APPLICABLE MUST REMAIN WITHIN DIMENSIONS		THIRD ANGLE PROJECTION	DRAWING	SERIES	SHEET NUMBER		SHEET NUMBER		SHEET NUMBER	
			D-SIZE	203263	SEE TABLE		GENERAL MARKET		1 OF 1	