

10 COLUMN CONNECTOR SHOWN FOR REFERENCE ONLY

- NOTES:
- MATERIALS:  
HOUSING: LIQUID CRYSTAL POLYMER (LCP), UL94V-0, BLACK  
TERMINALS: COPPER ALLOY
  - FINISH:  
CONTACT AREA: 30μ INCH MINIMUM GOLD OVER NICKEL  
COMPLIANT AREA: TIN (LEAD-FREE) OVER NICKEL
  - PRODUCT SPECIFICATION: PS-172374-999
  - PACKAGING SPECIFICATION: PK-172700-9001
  - MATES WITH STANDARD BP 76155.
  - APPLICATION SPECIFICATION: AS-76060-9997
  - COSMETIC SPECIFICATION" PS-45499-002.
  - ROUTING GUIDE AS-172374-0001
  - MARKINGS: LOCATED APPROXIMATELY AS SHOWN  
PART NUMBER & DATE CODE
  - ALIGNMENT RIBS USED FOR GUIDANCE INTO THE MATING HEADER AND THE LOCATIONS WILL CHANGE WITH NUMBER OF COLUMNS.
  - WHEN USING MOLEX SUPPLIED #2-32 SCREW 73726-0000 (9.50MM±0.38 THREADABLE SCREW LENGTH), THE MAXIMUM BOARD THICKNESS IS 4.4MM.

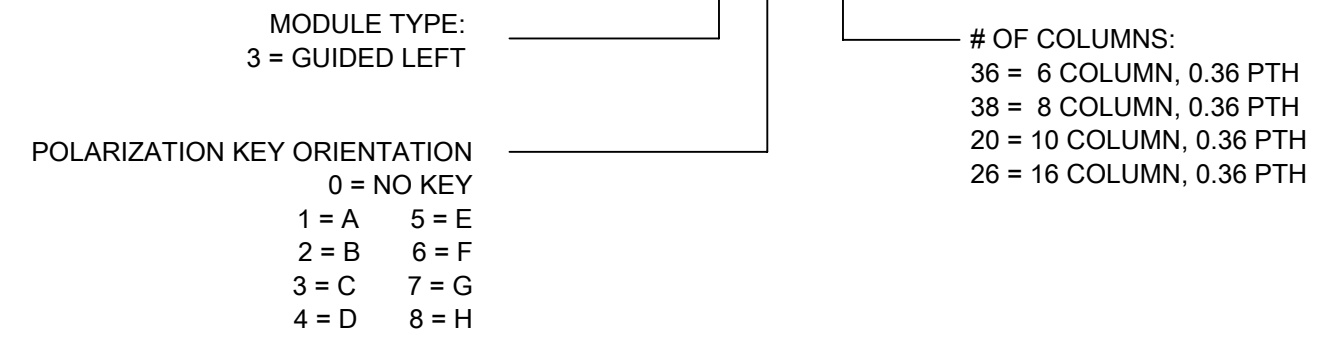
THIS DRAWING CONTAINS INFORMATION THAT IS PROPRIETARY TO MOLEX ELECTRONIC TECHNOLOGIES, LLC AND SHOULD NOT BE USED WITHOUT WRITTEN PERMISSION									
DIMENSION UNITS	SCALE	CURRENT REV DESC: ADDED XRAY SERIES MARKING IN SHEET 1 @ D7				<b>molex</b>			
mm	NTS								
GENERAL TOLERANCES (UNLESS SPECIFIED)		EC NO: 667795				IMPACT ZX2 4 PAIR STANDARD DAUGHTERCARD GUIDE LEFT ASSEMBLY SALES DRAWING			
ANGULAR TOL ± 0.5°		DRWN: YOGEEB 2021/05/26				PRODUCT CUSTOMER DRAWING			
4 PLACES ±		CHK'D: SHONG 2021/06/28				DOCUMENT NUMBER			
3 PLACES ±		APPR: SHONG 2021/06/28				SD-172699-0002			
2 PLACES ± 0.13		INITIAL REVISION:				DOC TYPE   DOC PART   REVISION			
1 PLACE ± 0.25		DRWN: JLONG 2015/06/24				PSD   000   B1			
0 PLACES ±		APPR: TELO 2017/01/24							
DRAFT WHERE APPLICABLE MUST REMAIN WITHIN DIMENSIONS		THIRD ANGLE PROJECTION	DRAWING	SERIES	MATERIAL NUMBER	CUSTOMER	SHEET NUMBER		
			B-SIZE	172699	SEE TABLE	GENERAL MARKET	1 OF 4		

F  
E  
D  
C  
B  
A

PART NUMBER	# OF COLUMNS	# OF DIFF PAIRS	DIM A MAX	DIM B	PTH $\phi$
172699-3036	6	24	19.00	9.50	0.36 $\pm$ 0.05
172699-3038	8	32	22.80	13.30	0.36 $\pm$ 0.05
172699-3020	10	40	26.60	17.10	0.36 $\pm$ 0.05
172699-3026	16	64	38.00	28.50	0.36 $\pm$ 0.05

# PART NUMBER LOGIC

172699- \* \* \* \*



NOTE:  
1. KEYING FEATURES WILL CHANGE WITH COLUMN SIZE.

THIS DRAWING CONTAINS INFORMATION THAT IS PROPRIETARY TO MOLEX ELECTRONIC TECHNOLOGIES, LLC AND SHOULD NOT BE USED WITHOUT WRITTEN PERMISSION

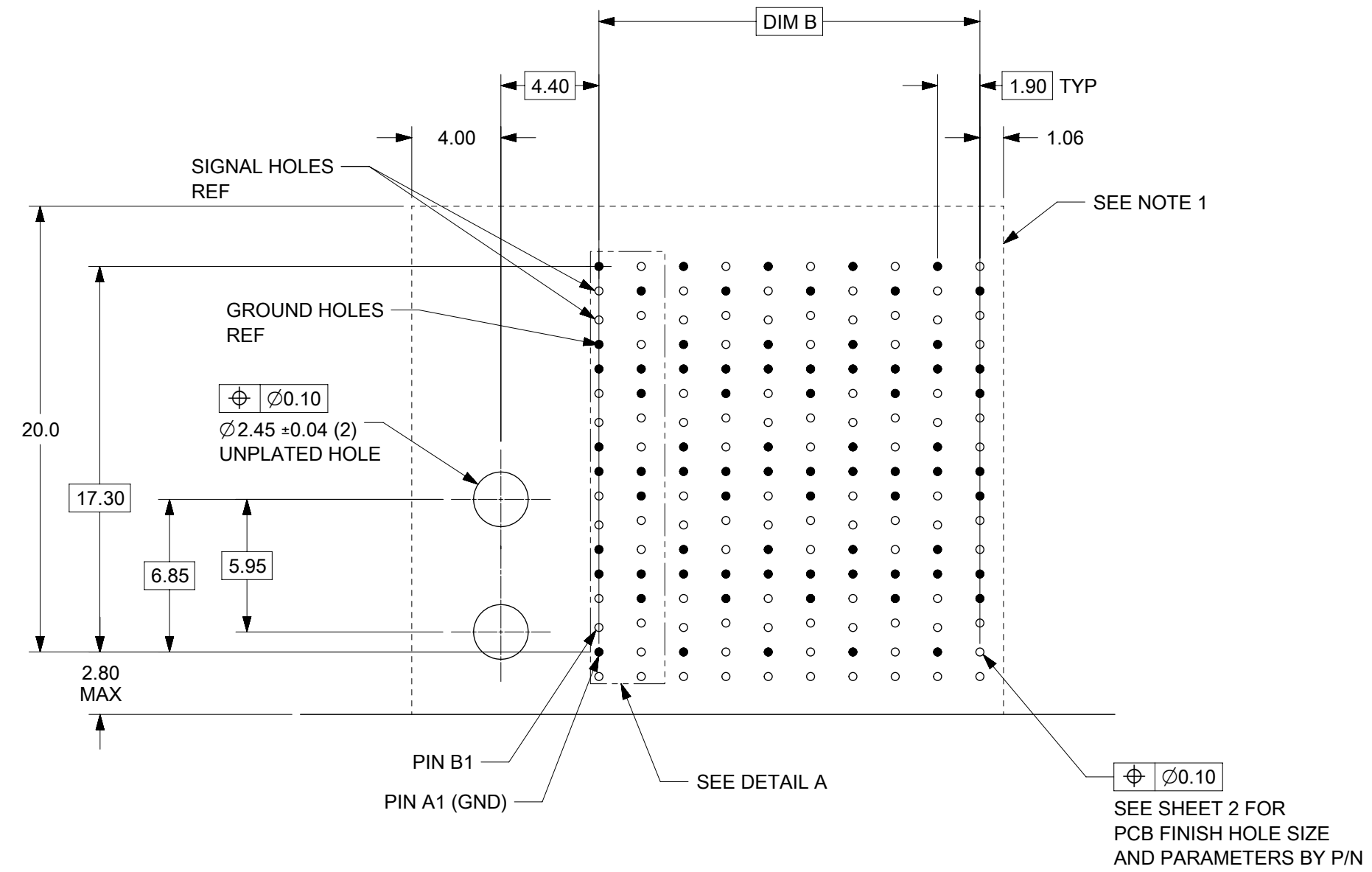
DIMENSION UNITS <b>mm</b>	SCALE <b>NTS</b>	CURRENT REV DESC: ADDED XRAY SERIES MARKING IN SHEET 1 @ D7	<b>molex</b>		
GENERAL TOLERANCES (UNLESS SPECIFIED)		EC NO: 667795			
ANGULAR TOL $\pm$ 0.5°		DRWN: YOGEEB 2021/05/26	PRODUCT CUSTOMER DRAWING		
4 PLACES $\pm$		CHK'D: SHONG 2021/06/28	DOCUMENT NUMBER		
3 PLACES $\pm$		APPR: SHONG 2021/06/28	SD-172699-0002		
2 PLACES $\pm$ 0.13		INITIAL REVISION:	DOC TYPE	DOC PART	REVISION
1 PLACE $\pm$ 0.25		DRWN: JLONG 2015/06/24	PSD	000	B1
0 PLACES $\pm$		APPR: TELO 2017/01/24	SHEET NUMBER		
DRAFT WHERE APPLICABLE MUST REMAIN WITHIN DIMENSIONS	THIRD ANGLE PROJECTION	DRAWING	SERIES	MATERIAL NUMBER	CUSTOMER
		B-SIZE	172699	SEE TABLE	GENERAL MARKET
					2 OF 4

10 9 8 7 6 5 4 3 2 1

F  
E  
D  
C  
B  
A

	1.90 REF		PINNING VIA SEE NOTE 3
GND	17.30	●	○ 17.30 VIA
M1	16.20	○	● 16.20 GND
L1	14.90	○	○ 15.10 L2
GND	13.80	●	○ 13.80 K2
GND	12.70	●	● 12.70 GND
J1	11.60	○	● 11.60 GND
H1	10.30	○	○ 10.50 H2
GND	9.20	●	○ 9.20 G2
GND	8.10	●	● 8.10 GND
F1	7.00	○	● 7.00 GND
E1	5.70	○	○ 5.90 E2
GND	4.60	●	○ 4.60 D2
GND	3.50	●	● 3.50 GND
C1	2.40	○	● 2.40 GND
B1	1.10	○	○ 1.30 B2
A1 (GND)	0.00	●	○ 0.00 A2
VIA	1.10	○	○ 1.10 VIA
SEE NOTE 3			SEE NOTE 3

DETAIL A  
SCALE 5:1

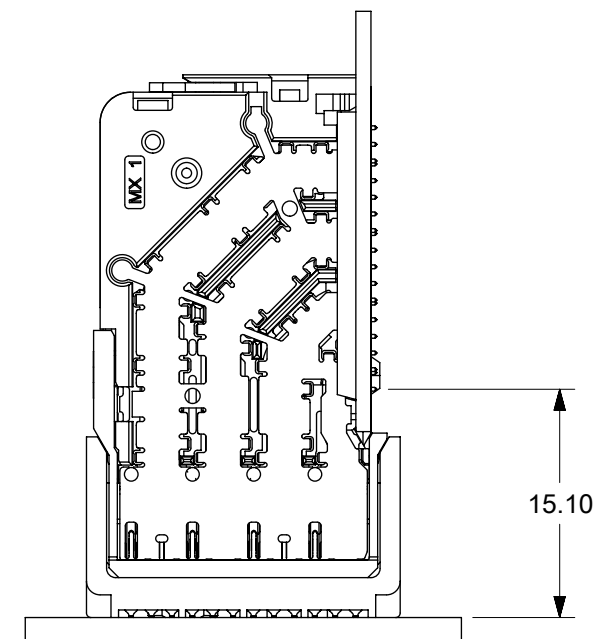
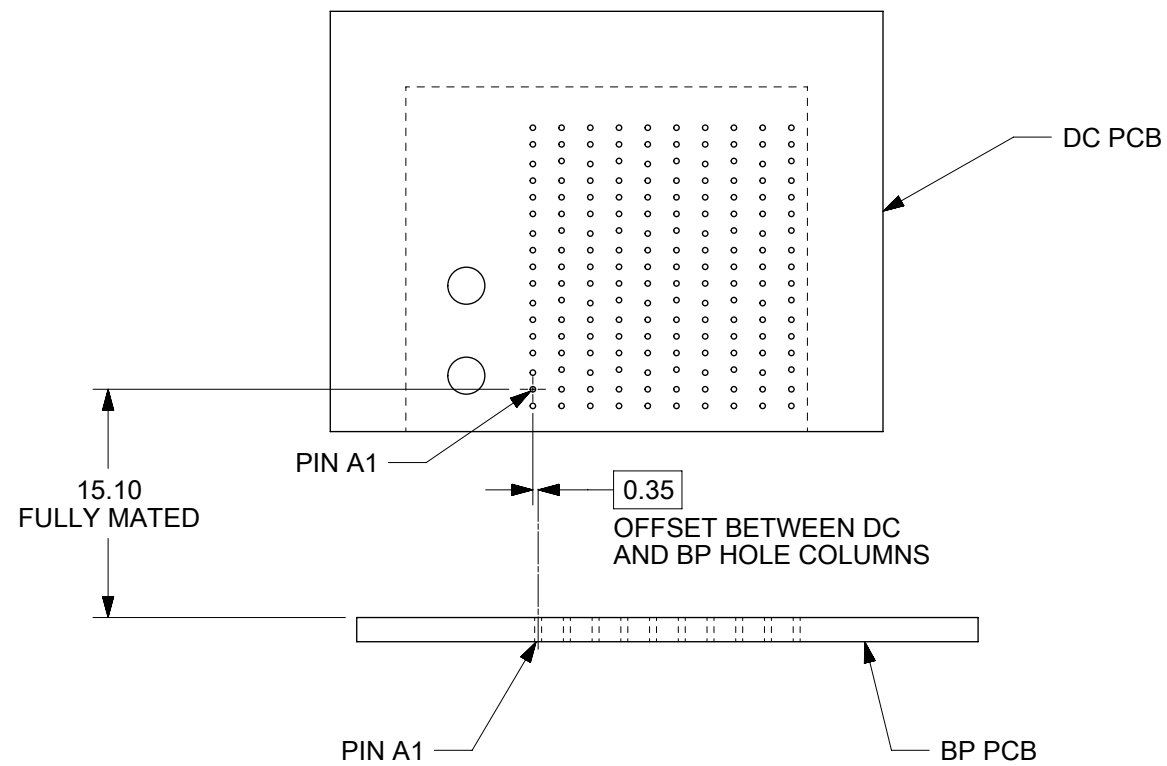


### DAUGHTERCARD HOLE PATTERN (CONNECTOR SIDE)

- NOTES:
1. THESE DIMENSIONS REPRESENT THE AREA NEEDED TO ACCOMMODATE CONNECTOR INSERTION AND REPAIR ON THE PCB. THIS IS REFERRED TO AS THE "CONNECTOR KEEP OUT ZONE" AND DOES NOT REPRESENT THE ACTUAL PERIMETER OF THE CONNECTOR.
  2. MINIMUM PCB THICKNESS: 1.0 MM
  3. PINNING VIAS ONLY - NOT FOR CONNECTOR TAILS.

THIS DRAWING CONTAINS INFORMATION THAT IS PROPRIETARY TO MOLEX ELECTRONIC TECHNOLOGIES, LLC AND SHOULD NOT BE USED WITHOUT WRITTEN PERMISSION											
DIMENSION UNITS <b>mm</b>		SCALE <b>NTS</b>		CURRENT REV DESC: ADDED XRAY SERIES MARKING IN SHEET 1 @ D7							
GENERAL TOLERANCES (UNLESS SPECIFIED)		ANGULAR TOL ± 0.5°		EC NO: 667795							
4 PLACES ±		3 PLACES ±		DRWN: YOGEEB 2021/05/26				IMPACT ZX2 4 PAIR STANDARD DAUGHTERCARD GUIDE LEFT ASSEMBLY SALES DRAWING PRODUCT CUSTOMER DRAWING			
2 PLACES ± 0.13		1 PLACE ± 0.25		CHK'D: SHONG 2021/06/28							
0 PLACES ±		DRAFT WHERE APPLICABLE MUST REMAIN WITHIN DIMENSIONS		THIRD ANGLE PROJECTION		DRAWING B-SIZE		SERIES 172699		REVISION	
DOCUMENT STATUS P1		RELEASE DATE 2021/06/28 21:47:48		MATERIAL NUMBER SEE TABLE		CUSTOMER GENERAL MARKET		DOCUMENT NUMBER SD-172699-0002		PSD 000 B1	
										SHEET NUMBER 3 OF 4	

# IMPACT ZX2 4 PAIR BOARD RELATIONSHIP (DATAPLANE BP 76155 SHOWN)



NOTES:  
1. SEE DESIGN GUIDE FOR ADDITIONAL MATING COMBINATIONS.

THIS DRAWING CONTAINS INFORMATION THAT IS PROPRIETARY TO MOLEX ELECTRONIC TECHNOLOGIES, LLC AND SHOULD NOT BE USED WITHOUT WRITTEN PERMISSION										
DIMENSION UNITS <b>mm</b>	SCALE <b>NTS</b>	CURRENT REV DESC: ADDED XRAY SERIES MARKING IN SHEET 1 @ D7			<b>molex</b>					
GENERAL TOLERANCES (UNLESS SPECIFIED)		EC NO: 667795			IMPACT ZX2 4 PAIR STANDARD DAUGHTERCARD GUIDE LEFT ASSEMBLY SALES DRAWING					
ANGULAR TOL	± 0.5°	DRWN: YOGEEB 2021/05/26			PRODUCT CUSTOMER DRAWING					
4 PLACES	±	CHK'D: SHONG 2021/06/28			DOCUMENT NUMBER					
3 PLACES	±	APPR: SHONG 2021/06/28			SD-172699-0002			DOC TYPE	DOC PART	REVISION
2 PLACES	± 0.13	INITIAL REVISION:			PSD 000 B1					
1 PLACE	± 0.25	DRWN: JLONG 2015/06/24			MATERIAL NUMBER					
0 PLACES	±	APPR: TELO 2017/01/24			CUSTOMER					
DRAFT WHERE APPLICABLE MUST REMAIN WITHIN DIMENSIONS		THIRD ANGLE PROJECTION	DRAWING	SERIES	SEE TABLE		GENERAL MARKET		SHEET NUMBER	
			B-SIZE	172699					4 OF 4	