

# RJ45 coupling - VS-PPC-J-1-RJ45-MNBK - 1405183

Please be informed that the data shown in this PDF Document is generated from our Online Catalog. Please find the complete data in the user's documentation. Our General Terms of Use for Downloads are valid (<http://phoenixcontact.com/download>)




RJ45 push-pull coupling, IP67, metal, CAT5e, with protective cover, color: Nickel-plated

RJ45 push-pull coupling



## Key Commercial Data

Packing unit	1 pc
GTIN	 4 046356 332774
GTIN	4046356332774

## Technical data

### Mechanical characteristics

Number of positions	8
Connection profile	RJ45
Cable outlet	straight
Color	silver
Degree of protection	IP67

### Ambient conditions

Ambient temperature (operation)	-40 °C ... 70 °C
---------------------------------	------------------

### Material data

Housing material	Zinc die-cast
Contact material	Copper alloy
Height	42 mm

### Electrical characteristics

Rated voltage (III/3)	72 V (DC)
Rated surge voltage	≥ 1 kV
Rated current	1 A
Transmission characteristics (category)	CAT5 (IEC 11801:2002)

# RJ45 coupling - VS-PPC-J-1-RJ45-MNBK - 1405183

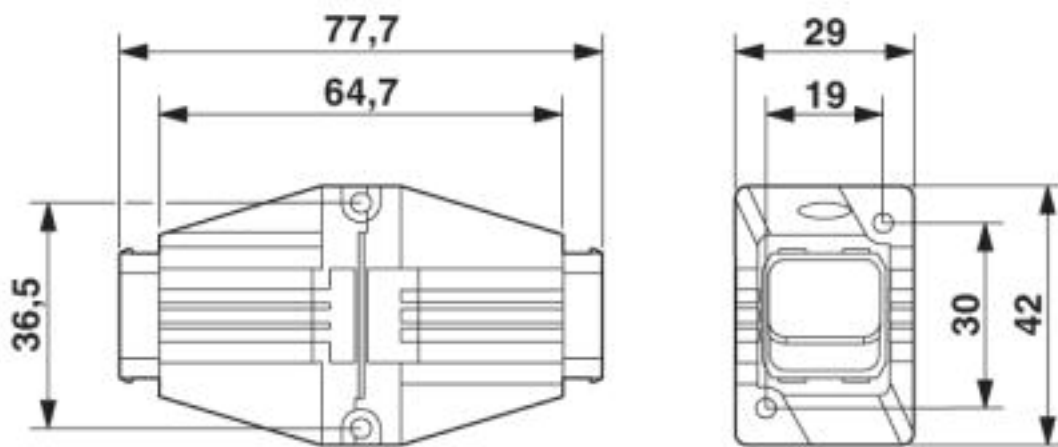
## Technical data

### Environmental Product Compliance

	Lead 7439-92-1
China RoHS	Environmentally Friendly Use Period = 50
	For details about hazardous substances go to tab "Downloads", Category "Manufacturer's declaration"

## Drawings

Dimensional drawing



RJ45 push-pull coupling

## Approvals

Approvals

Approvals

EAC

Ex Approvals

### Approval details

EAC		B.01742
-----	--	---------

Phoenix Contact 2019 © - all rights reserved  
<http://www.phoenixcontact.com>

PHOENIX CONTACT GmbH & Co. KG  
Flachsmarktstr. 8  
32825 Blomberg  
Germany  
Tel. +49 5235 300  
Fax +49 5235 3 41200  
<http://www.phoenixcontact.com>