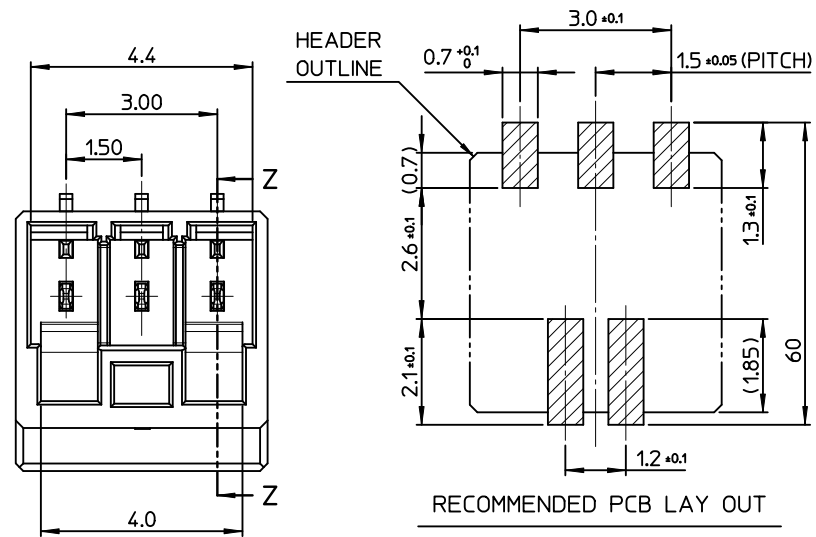
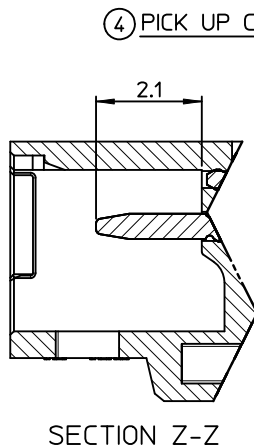


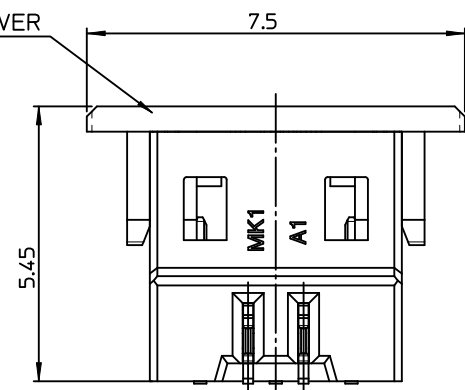
10 9 8 7 6 5 4 3 2 1



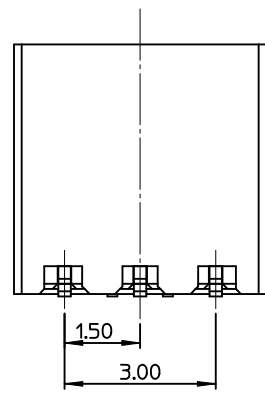
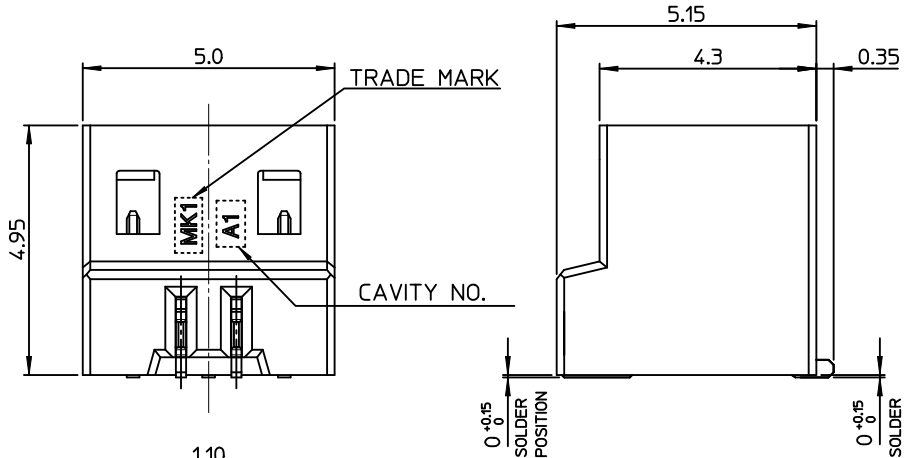
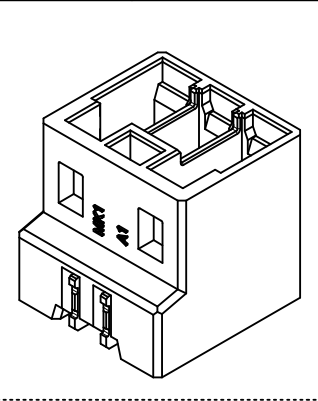
RECOMMENDED PCB LAY OUT



SECTION Z-Z

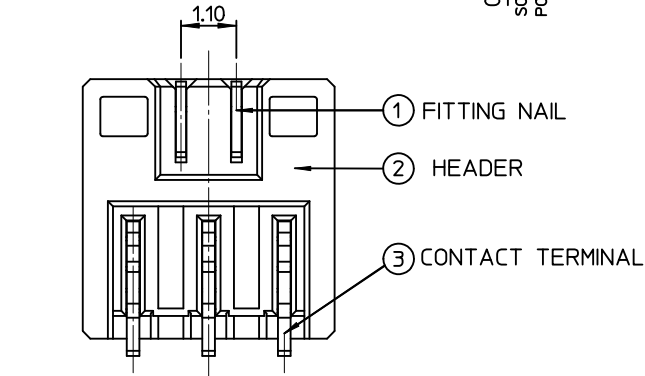


MATED WITH PICK UP COVER



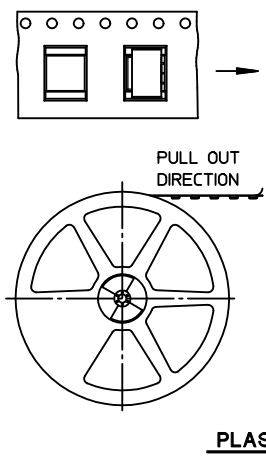
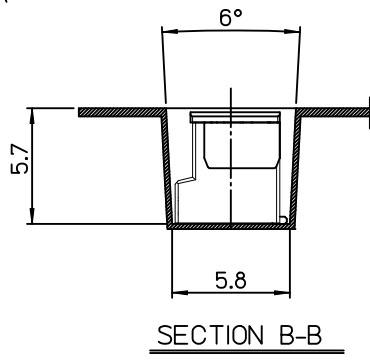
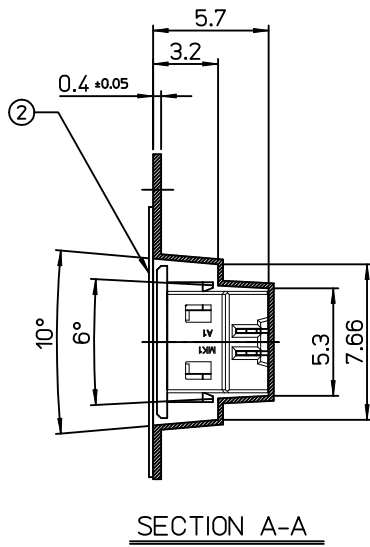
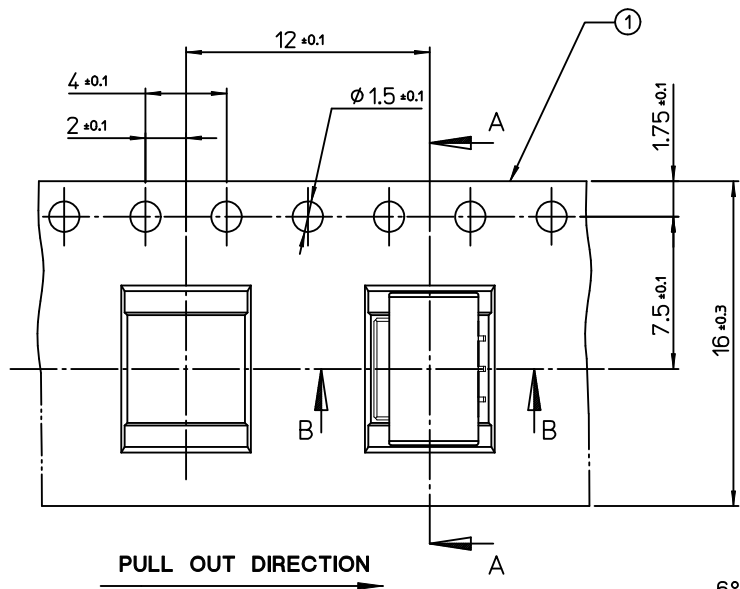
NOTE

1. MATED WITH : 104079-0300
2. MATERIALS
  - HEADER : LCP, GLASS FILLED, UL94V-0, HALOGEN FREE  
COLOR OF NATURAL
  - CONTACT TERMINAL : POSPHOR BRONZE
  - FITTING NAIL : PHOSPHOR-BRONZE
  - PICK UP COVER : PA46, GLASS FILLED,UL94V-0  
COLOR OF NATURAL
3. FINISHES
  - CONTACT TERMINAL : PURE-TIN PLATING ON OVERALL.  
THICKNESS 3.0μm~5.0μm  
UNDER PLATING Ni OVERALL.  
THICKNESS 1.25μm~3.75μm
  - FITTING NAIL : PURE-TIN PLATING ON OVERALL.  
THICKNESS 3.0μm~5.0μm  
UNDER PLATING Ni OVERALL.  
THICKNESS 1.25μm~3.75μm
4. COPLANALITY OF SOLDER TAILS (PEAK TEMP. : 260°C),  
BEFORE & AFTER REFLOW : 0.08MAX
5. PRODUCT SPECIFICATION : PS-104080-001
6. PACKING SPECIFICATION : PK-104080-001



|  |  |                                       |                            |                            |  |   |                        |                        |  |
|--|--|---------------------------------------|----------------------------|----------------------------|--|---|------------------------|------------------------|--|
| NEW RELEASED<br>EC NO: KOR2010-0199<br>DRWN:CBCHIN 2010/06/09<br>CHKD:SH. CHU 2010/06/09<br>APPR:YUNSIKIKIM 2010/06/09 | QUALITY SYMBOLS  | GENERAL TOLERANCES (UNLESS SPECIFIED) |                            | DIMENSION STYLE<br>MM ONLY |  | SCALE<br>10:1                                       | DESIGN UNITS<br>METRIC | THIRD ANGLE PROJECTION |  |
|  | ▽=0<br>◁=0   | mm                                    | INCH                       | DRAWN BY<br>JB. JIN        | DATE<br>2010/01/21   | TITLE<br>1.5 WIRE TO BOARD CONN.<br>HEADER ASS'Y-3P |                        |                        |  |
|  |  | 4 PLACES ± --- ± ---                  | 3 PLACES ± --- ± ---       | CHECKED BY<br>SH. CHU      | DATE<br>2010/01/21   | MOLEX INCORPORATED                                  |                        |                        |  |
|  |  | 2 PLACES ± --- ± ---                  | 1 PLACE ± 0.15 ± ---       | APPROVED BY<br>YS. KIM     | DATE<br>2010/01/21   |   |                        |                        |  |
|  | ANGULAR ± 3 °  |                                       | MATERIAL NO.<br>1040800310 |                            | DOCUMENT NO.<br>SD-104080-001  |   | SHEET NO.<br>1 OF 01   |                        |  |
|  | DRAFT WHERE APPLICABLE<br>MUST REMAIN<br>WITHIN DIMENSIONS |                                       |                            | SIZE<br>A3                 | THIS DRAWING CONTAINS INFORMATION THAT IS PROPRIETARY TO MOLEX<br>INCORPORATED AND SHOULD NOT BE USED WITHOUT WRITTEN PERMISSION |   |                        |                        |  |

9 8 7 6 5 4 3 2 1



**PLASTIC BOBBIN**

**NOTES**

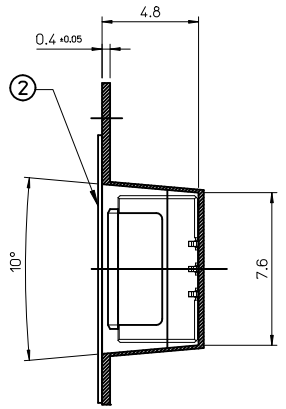
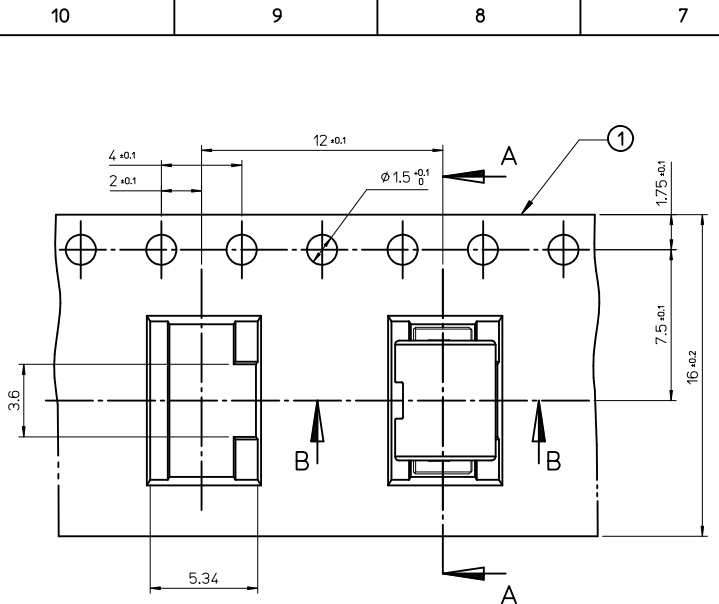
1. QUANTITY OF CONNECTORS : 1,200 PCS/REEL
2. LEAD LENGTH
3. PEELING OFF FORCE OF COVER TAPE : 0.1N~0.59N(10.2GF~60GF)  
 (PEELING DIRECTION AS SHOW IN FOLLOW FIG.)  
 PEELING OFF SPEED : 300mm/Min.(Ref.)
4. FLASH IN ANY PORTION SHOULD BE LESS THAN 0.20mm MAX.
5. UNLESS OTHERWISE SPECIFIED INNER R0.2 MAX
6. DRAFT ANGLE 3°MAX

[TABLE]

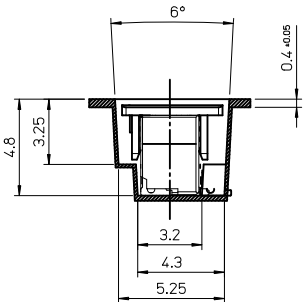
|              |             |            |             |
|--------------|-------------|------------|-------------|
| 1040800317   | 104080-0310 | 16.0mm     | 104080-9901 |
| MATERIAL NO. | CONNECTOR   | TAPE WIDTH | EMBOSS TAPE |

|     |                       |                |        |
|-----|-----------------------|----------------|--------|
| 3   | PLASTIC BOBBIN        | HI P.S         | WHITE  |
| 2   | COVER TAPE            | PET ANTISTATIC | 13.3m  |
| 1   | CARRIER (EMBOSS) TAPE | PET ANTISTATIC |        |
| NO. | DESCRIPTION           | MATERIAL       | REMARK |

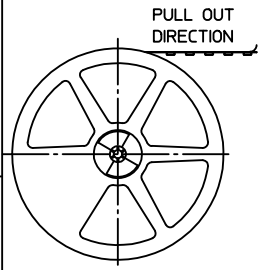
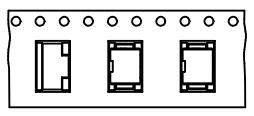
|  |                 |                                       |  |                                   |  |                      |  |                        |  |
|--|-----------------|---------------------------------------|--|-----------------------------------|--|----------------------|--|------------------------|--|
| <p><b>NEW RELEASED</b><br/>                 EC NO: KOR2010-0199<br/>                 DRWN:CBCHN 2010/06/09<br/>                 CHKD:SH.CHU 2010/06/09<br/>                 APPR:YUNSIKIM 2010/06/09</p> | QUALITY SYMBOLS | GENERAL TOLERANCES (UNLESS SPECIFIED) |  | DIMENSION STYLE<br><b>MM ONLY</b> |  | SCALE<br>4:1         | DESIGN UNITS<br>METRIC   | THIRD ANGLE PROJECTION |  |
|  | ▽=0<br>▽=0      | 4 PLACES                              | ±---   | ±---                              | DRAWN BY<br>JB. JIN  | DATE<br>2010/01/21   | TITLE<br><b>EMBOSS PACKAGE<br/>                 1.5 WIRE TO BOARD CONN.<br/>                 HEADER ASS'Y-3P</b> |                        |  |
|  |                 | 3 PLACES                              | ±---   | ±---                              | CHECKED BY<br>SH. CHU  | DATE<br>2010/01/21   |  |                        |  |
|  |                 | 2 PLACES                              | ±---   | ±---                              | APPROVED BY<br>YS. KIM   | DATE<br>2010/01/21   | MOLEX INCORPORATED<br>DOCUMENT NO. SD-104080-002   |                        |  |
|  | 1 PLACE         | ±0.25                                 | ±---   | MATERIAL NO.<br><b>SEE TABLE</b>  |  | SHEET NO.<br>1 OF 01 |  |                        |  |
|  | ANGULAR ± 3 °   |                                       | DRAFT WHERE APPLICABLE<br>MUST REMAIN<br>WITHIN DIMENSIONS |                                   | THIS DRAWING CONTAINS INFORMATION THAT IS PROPRIETARY TO MOLEX<br>INCORPORATED AND SHOULD NOT BE USED WITHOUT WRITTEN PERMISSION |                      |  |                        |  |



SECTION A-A



SECTION B-B



PLASTIC BOBBIN

NOTES

1. QUANTITY OF CONNECTORS : 1,500 PCS/REEL
2. LEAD LENGTH
3. PEELING OFF FORCE OF COVER TAPE : 0.1N~0.59N(10.2GF~60GF)  
 (PEELING DIRECTION AS SHOW IN FOLLOW FIG.)  
 PEELING OFF SPEED : 300mm/Min.(Ref.)
4. FLASH IN ANY PORTION SHOULD BE LESS THAN 0.20mm MAX.
5. UNLESS OTHERWISE SPECIFIED INNER R0.2 MAX
6. DRAFT ANGLE 3°MAX

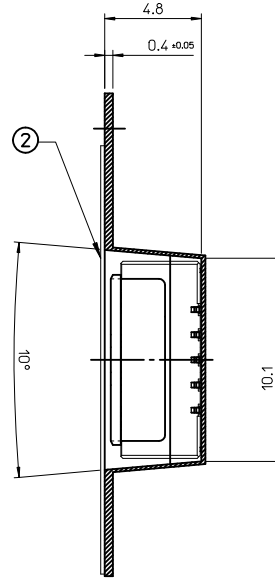
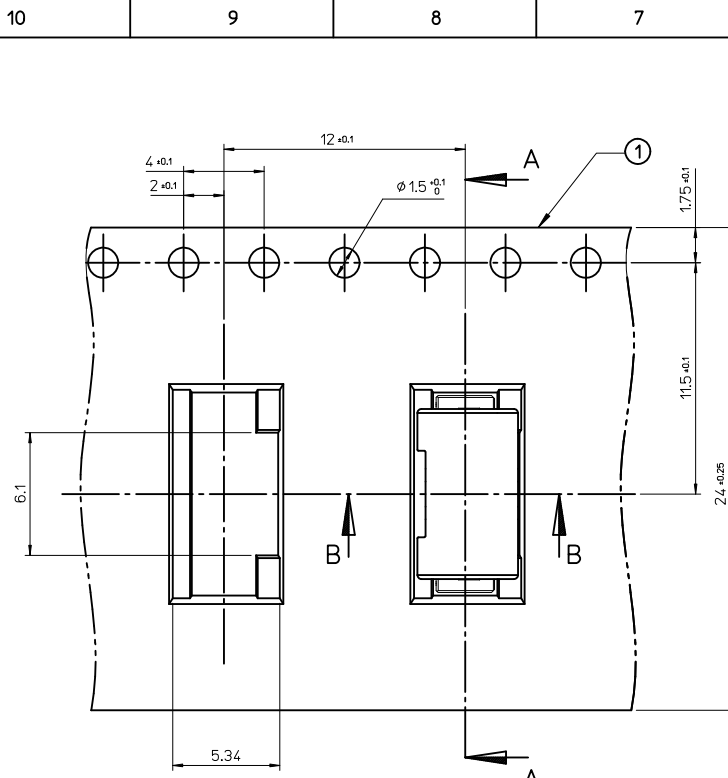
[TABLE]

|              |             |            |             |
|--------------|-------------|------------|-------------|
| 1041300310   | 104130-0310 | 16.0mm     | 104130-9901 |
| MATERIAL NO. | CONNECTOR   | TAPE WIDTH | EMBOSS TAPE |

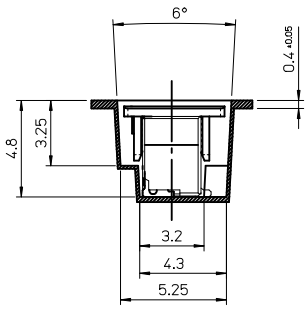
|     |                       |                |        |
|-----|-----------------------|----------------|--------|
| 3   | PLASTIC BOBBIN        | HI P.S         | WHITE  |
| 2   | COVER TAPE            | PET ANTISTATIC | 13.3m  |
| 1   | CARRIER (EMBOSS) TAPE | PET ANTISTATIC |        |
| NO. | DESCRIPTION           | MATERIAL       | REMARK |

ORDER NO 104130-0310

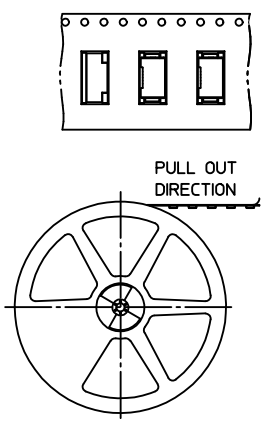
|  |                                       |  |  |                         |   |                        |       |       |          |       |       |          |       |       |         |        |       |         |  |        |  |
|--|---------------------------------------|--|--|-------------------------|---|------------------------|-------|-------|----------|-------|-------|----------|-------|-------|---------|--------|-------|---------|--|--------|--|
| RELEASED<br>EC NO: KOR2012-0059<br>DRWN: JHPARK01 2011/12/19<br>CHKD: SHCHU 2011/12/19<br>APPR: YUNSIKKIM 2011/12/29 | QUALITY SYMBOLS                       | GENERAL TOLERANCES (UNLESS SPECIFIED)  | DIMENSION STYLE  | SCALE                   | DESIGN UNITS  | THIRD ANGLE PROJECTION |       |       |          |       |       |          |       |       |         |        |       |         |  |        |  |
|  | $\nabla = 0$<br>$\sphericalangle = 0$ | <table border="1"> <tr> <td></td> <td>mm</td> <td>INCH</td> </tr> <tr> <td>4 PLACES</td> <td>± ---</td> <td>± ---</td> </tr> <tr> <td>3 PLACES</td> <td>± ---</td> <td>± ---</td> </tr> <tr> <td>2 PLACES</td> <td>± ---</td> <td>± ---</td> </tr> <tr> <td>1 PLACE</td> <td>± 0.25</td> <td>± ---</td> </tr> </table> |  | mm                      | INCH  | 4 PLACES               | ± --- | ± --- | 3 PLACES | ± --- | ± --- | 2 PLACES | ± --- | ± --- | 1 PLACE | ± 0.25 | ± --- | MM ONLY |  | METRIC |  |
|  |                                       | mm   | INCH   |                         |   |                        |       |       |          |       |       |          |       |       |         |        |       |         |  |        |  |
|  | 4 PLACES                              | ± ---  | ± ---  |                         |   |                        |       |       |          |       |       |          |       |       |         |        |       |         |  |        |  |
| 3 PLACES   | ± ---                                 | ± ---  |  |                         |   |                        |       |       |          |       |       |          |       |       |         |        |       |         |  |        |  |
| 2 PLACES   | ± ---                                 | ± ---  |  |                         |   |                        |       |       |          |       |       |          |       |       |         |        |       |         |  |        |  |
| 1 PLACE  | ± 0.25                                | ± ---  |  |                         |   |                        |       |       |          |       |       |          |       |       |         |        |       |         |  |        |  |
| DRAFT WHERE APPLICABLE<br>MUST REMAIN<br>WITHIN DIMENSIONS   | ANGULAR ± 3 °                         | DRAWN BY: JB. JIN<br>CHECKED BY: SH. CHU<br>APPROVED BY: YUNSIKKIM   | DATE: 2010/01/21<br>DATE: 2010/01/21<br>DATE: 2011/12/29 | TITLE                   | EMBOSSED PACKAGE<br>1.25 WIRE TO BOARD CONN.<br>HEADER ASS'Y-3P |                        |       |       |          |       |       |          |       |       |         |        |       |         |  |        |  |
| A  | REV                                   |  | SIZE A3  | MATERIAL NO. 1041300310 | DOCUMENT NO. SD-104130-002                                      | SHEET NO. 1 OF 1       |       |       |          |       |       |          |       |       |         |        |       |         |  |        |  |



SECTION A-A



SECTION B-B

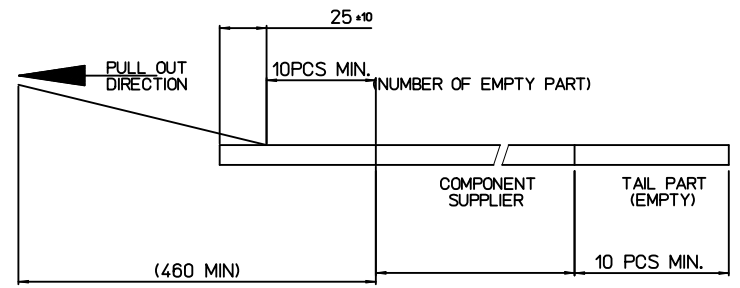


PLASTIC BOBBIN

NOTES

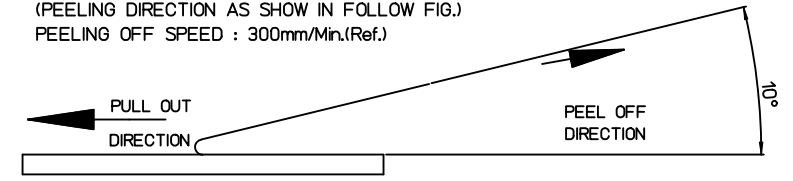
1. QUANTITY OF CONNECTORS : 1,500 PCS/REEL

2. LEAD LENGTH



3. PEELING OFF FORCE OF COVER TAPE : 0.1N~0.59N(10.2GF~60GF)

(PEELING DIRECTION AS SHOW IN FOLLOW FIG.)  
PEELING OFF SPEED : 300mm/Min.(Ref.)



4. FLASH IN ANY PORTION SHOULD BE LESS THAN 0.20mm MAX.

5. UNLESS OTHERWISE SPECIFIED INNER R0.2 MAX

6. DRAFT ANGLE 3°MAX

| NO. | DESCRIPTION             | MATERIAL       | REMARK |
|-----|-------------------------|----------------|--------|
| 3   | PLASTIC BOBBIN          | HI P.S         | WHITE  |
| 2   | COVER TAPE              | PET ANTISTATIC | 21.3m  |
| 1   | CARRIER (EMBOSSED) TAPE | PET ANTISTATIC |        |

ORDER NO. 104130-0510

RELEASED  
EC NO: KOR2012-0059  
DRWN: JHPARK01 2011/12/20  
CHKD:  
APPR: YUNSIKKIM 2011/12/29

QUALITY SYMBOLS  
▽=0  
∇=0

GENERAL TOLERANCES (UNLESS SPECIFIED)

|          | mm     | INCH  |
|----------|--------|-------|
| 4 PLACES | ± ---  | ± --- |
| 3 PLACES | ± ---  | ± --- |
| 2 PLACES | ± ---  | ± --- |
| 1 PLACE  | ± 0.25 | ± --- |

ANGULAR ± 3 °

DRAFT WHERE APPLICABLE MUST REMAIN WITHIN DIMENSIONS

DIMENSION STYLE  
MM ONLY

DRAWN BY: JB. JIN  
DATE: 2010/01/21

CHECKED BY: SH. CHU  
DATE: 2010/01/21

APPROVED BY: YUNSIKKIM  
DATE: 2011/12/29

MATERIAL NO. 1041300510

SIZE A3

SCALE: DESIGN UNITS: METRIC

THIRD ANGLE PROJECTION

TITLE: EMBOSSED PACKAGE  
1.25 WIRE TO BOARD CONN.  
HEADER ASS'Y-5P

MOLEX MOLEX INCORPORATED

DOCUMENT NO. SD-104130-004

SHEET NO. 1 OF 1

THIS DRAWING CONTAINS INFORMATION THAT IS PROPRIETARY TO MOLEX INCORPORATED AND SHOULD NOT BE USED WITHOUT WRITTEN PERMISSION