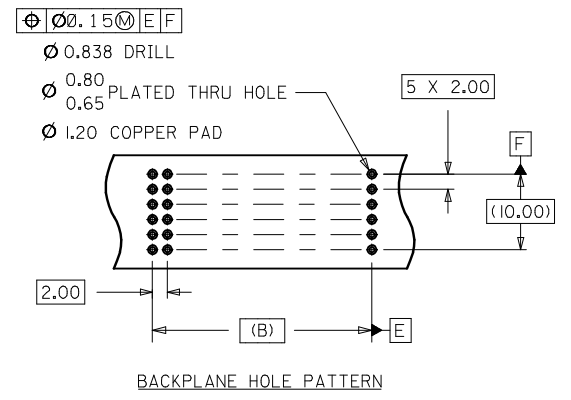
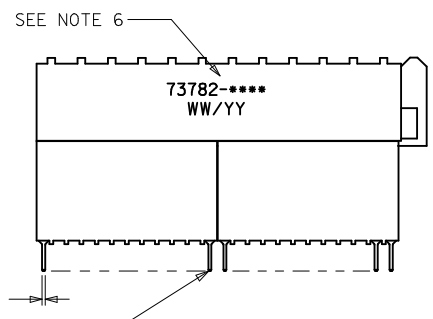
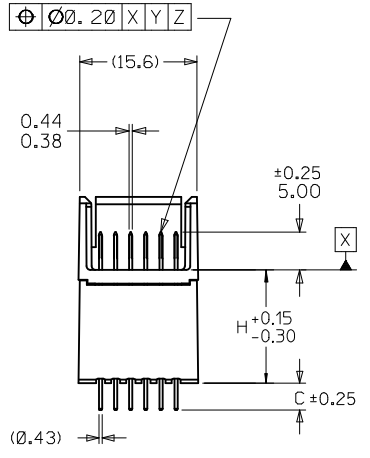
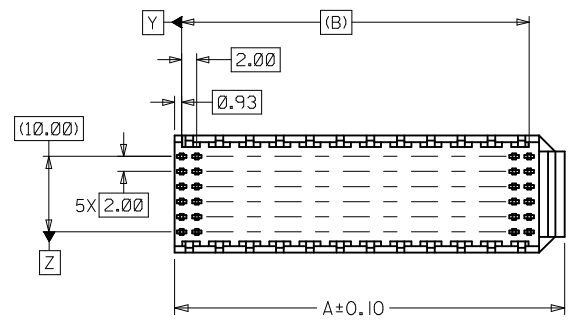


- NOTES:**
1. MATERIALS: HOUSING-LIQUID CRYSTAL POLYMER (LCP), GLASS-FILLED, UL94V-0, COLOR: BLACK.  
TERMINAL-PHOSPHOR BRONZE
  2. FINISH:  
0.75 MICROMETERS MINIMUM SELECTIVE GOLD IN MATING AREA  
2.50 MICROMETERS MINIMUM SELECTIVE TIN IN TAIL AREA  
NICKEL UNDERPLATE OVERALL.
  3. THIS PART CONFORMS TO MOLEX PRODUCT SPECIFICATION PS-73780-999.
  4. THIS PART CONFORMS TO MOLEX COSMETIC SPECIFICATION PS-45499-002 CLASS C.
  5. SEE TABLE ON SHEET 2 FOR PACKAGING SPECIFICATION.
  6. PARTS MARKED WITH PART NUMBER AND DATE CODE APPROXIMATELY WHERE SHOWN.



⊕ Ø0.150 X Y Z

CHG PKG FOR 45mm EC NO: UCP2013-0087 DRWING:MORGAN 2012/08/28 CHKD:BBARKER 2012/08/28 APPR:SMILLER 2012/09/18	QUALITY SYMBOLS	GENERAL TOLERANCES (UNLESS SPECIFIED)		DIMENSION STYLE MM ONLY		SCALE 2:1	DESIGN UNITS METRIC	THIRD ANGLE PROJECTION
	▽=0	4 PLACES ± --- ± ---	mm	INCH	DRAWN BY JB INGHAM	DATE 1997/04/25	SALES ASSEMBLY, HDM BACKPLANE STACKING MOD CLOSED END SOLDER <b>molex</b> DOCUMENT NO. SD-73782-001 SHEET NO. 1 OF 2	
	▽=0	3 PLACES ± --- ± ---			CHECKED BY SREED	DATE 1997/04/25		
	▽=0	2 PLACES ± 0.05 ± ---			APPROVED BY CB IXLER	DATE 1997/04/25		
	1 PLACE ± 0.10 ± ---			MATERIAL NO. SEE SHEET 2				
		0 PLACE ± --- ± ---	ANGULAR ±1/2°		DRAFT WHERE APPLICABLE MUST REMAIN WITHIN DIMENSIONS			

## MATERIAL NUMBER ASSIGNMENT

73782-\* \* 0 0

NUMBER	CIRCUIT SIZE	DIM "A"	DIM "B"	DIM "C"
0	72	27.6	22.00	2.0
1	144	51.6	46.00	2.0
2	72	27.6	22.00	2.5
3	144	51.6	46.00	2.5
4	72	27.6	22.00	3.0
5	144	51.6	46.00	3.0
6	72	27.6	22.00	3.5
7	144	51.6	46.00	3.5

NUMBER	DIM "H"	PACKAGING SPECIFICATION
1	15.05	PK-70873-1873
2	6.05	PK-70873-0875
3	10.05	PK-70873-0871

SEE SHEET 1 EC NO: UCP2013-0087 DRWN:DMORGAN 2012/08/28 CHKD:BBARKER 2012/08/28 APPR:SMILLER 2012/09/18	QUALITY SYMBOLS ▽=0 ▽=0 ▽=0	GENERAL TOLERANCES (UNLESS SPECIFIED)		DIMENSION STYLE <b>MM ONLY</b>	SCALE <b>1:1</b>	DESIGN UNITS <b>METRIC</b>	THIRD ANGLE PROJECTION		
				DRAWN BY DATE	TITLE <b>SALES ASSEMBLY, HDM                  BACKPLANE STACKING MOD                  CLOSED END SOLDER</b>				
				CHECKED BY DATE					
				APPROVED BY DATE	MATERIAL NO. <b>SEE TABLE</b>		DOCUMENT NO. <b>SD-73782-001</b>		SHEET NO. 2 OF 2
		ANGULAR ±1/2°		DRAFT WHERE APPLICABLE MUST REMAIN WITHIN DIMENSIONS				THIS DRAWING CONTAINS INFORMATION THAT IS PROPRIETARY TO MOLEX. INCORPORATED AND SHOULD NOT BE USED WITHOUT WRITTEN PERMISSION	

73782-\* \* 0 0

NUMBER	CIRCUIT SIZE	DIM "A"	DIM "B"	DIM "C"
0	72	27.6	22.00	2.0
1	144	51.6	46.00	2.0
2	72	27.6	22.00	2.5
3	144	51.6	46.00	2.5
4	72	27.6	22.00	3.0
5	144	51.6	46.00	3.0
6	72	27.6	22.00	3.5
7	144	51.6	46.00	3.5

NUMBER	DIM "H"
1	15.05
2	6.05
3	10.05

SEE SHEET 1 EC NO: UDT2000-1073 DRWN: BINGHAM 00/05/08 CHK: REED 00/05/08 APPR: BIXLER 00/05/08	DESCRIPTION MAJOR $\nabla = 0$ CRITICAL $\nabla C = 0$	GENERAL TOLERANCES: (UNLESS SPECIFIED) mm      INCH		SCALE: NO: NE <input checked="" type="checkbox"/> mm <input type="checkbox"/> INCH	DESIGN UNITS <input checked="" type="checkbox"/> mm <input type="checkbox"/> INCH	DIMENSIONS: <input type="checkbox"/> mm <input type="checkbox"/> INCH <input checked="" type="checkbox"/> mm ONLY	SHT    REV REVISION ON CAD ONLY	
		DRAWN BY & DATE JBINGHAM 97/04/25		CHECKED BY & DATE SREED 97/04/25		TITLE: SALES ASSEMBLY HDM BACKPLANE STACKING MODULE CLOSED END OPTION SOLDER TAIL		
		APPROVED BY & DATE CBIXLER 97/04/25		CAD FILENAME S73782X2.DGN		MOLEX INCORPORATED		
		DRAFT WHERE APPLICABLE MUST REMAIN WITHIN DIMENSIONS		ANGULAR: $\pm$ °		MATERIAL NO. SEE CHART	DRAWING NO. SD-73782-001	SHEET NO. 2

THIS DRAWING CONTAINS INFORMATION THAT IS PROPRIETARY TO MOLEX INCORPORATED AND SHOULD NOT BE USED WITHOUT WRITTEN PERMISSION.