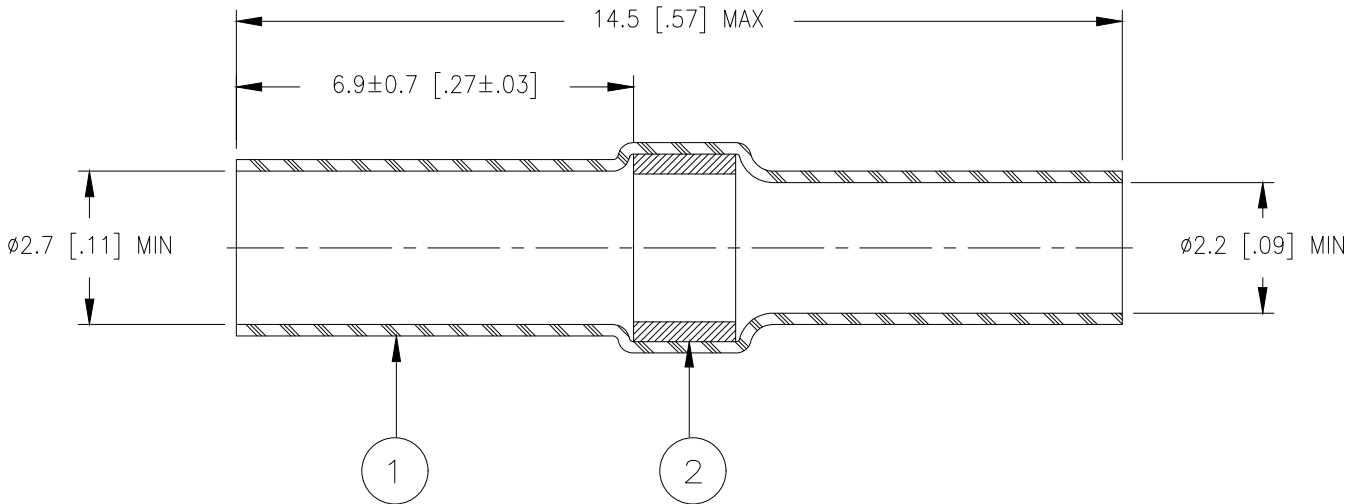


REVISIONS					
P	LTR	DESCRIPTION	DATE	DWN	APVD
	B	REVISED AS PER ECO-20-003566.	10MAR2020	TC	NP



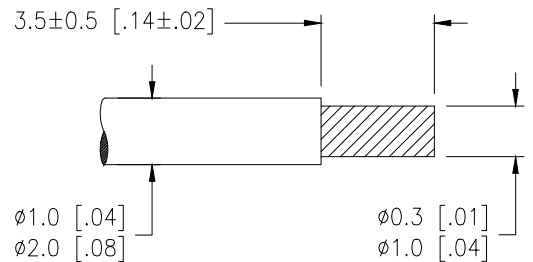
MATERIALS

1. INSULATION SLEEVE: Heat-shrinkable, radiation cross-linked modified polyvinylidene fluoride.
COLOR: Transparent Blue.
2. SOLDER PREFORM WITH FLUX:
SOLDER: TYPE Sn63 per ANSI J-STD-006.
FLUX: TYPE ROL0 per ANSI J-STD-004.

APPLICATION

1. This controlled soldering device is designed for termination of a stranded wire having an insulation rated for at least +125°C.
2. Temperature range: -55°C to +150°C.
3. For application tooling, consult your local TE technical service.

*For best results, prepare the cable as shown below:



© 2020 TE Connectivity. All Rights Reserved.

DIMENSIONS: mm [INCHES]	DWN T.CORREIA 10MAR2020	MATERIAL	FINISH
	CHK R.MACNAUGHTON 10MAR2020	TE TE Connectivity	
TOLERANCES UNLESS OTHERWISE SPECIFIED:	APVD N.PRZYBYLSKA 10MAR2020		
0 PLC ± -	PRODUCT SPEC	SIZE	CAGE CODE
1 PLC ± -	APPLICATION SPEC	DRAWING NO	RESTRICTED TO
2 PLC ± -	WEIGHT	A4	06090
3 PLC ± -		C-W-040-53	
4 PLC ± -		CUSTOMER DRAWING	SCALE DNS
ANGLES ± -		SHEET 1 OF 1	REV B

