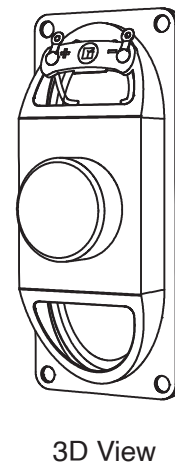
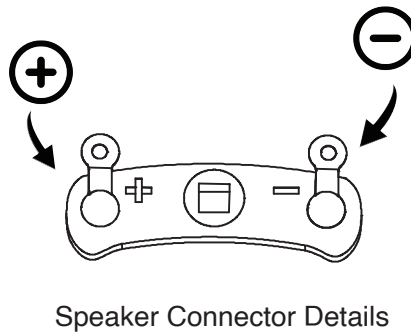
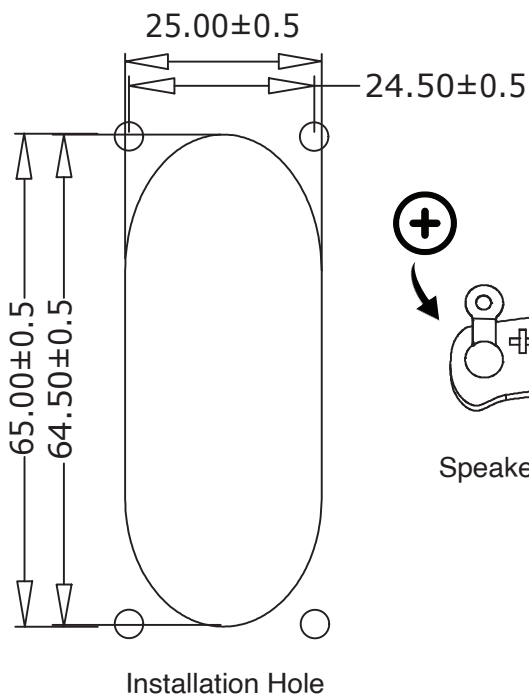
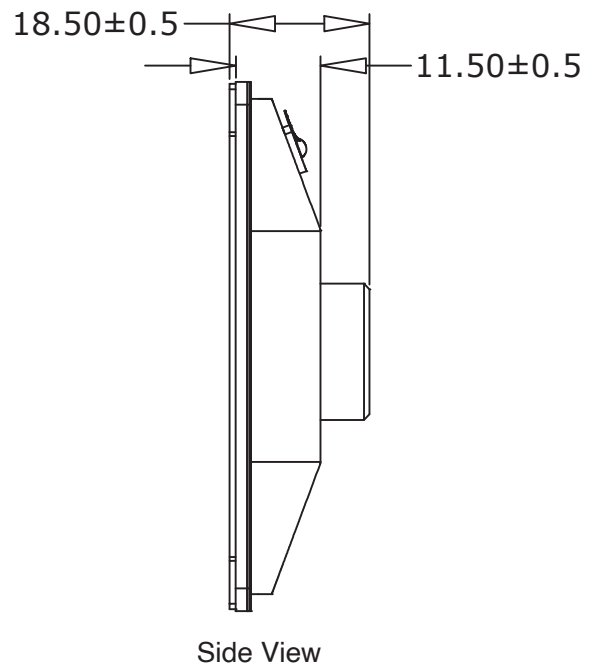
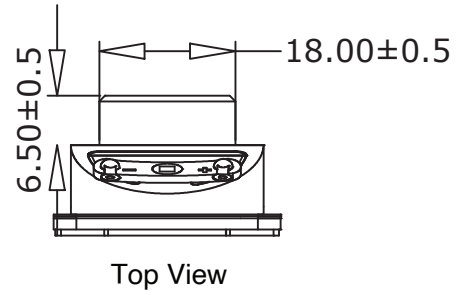
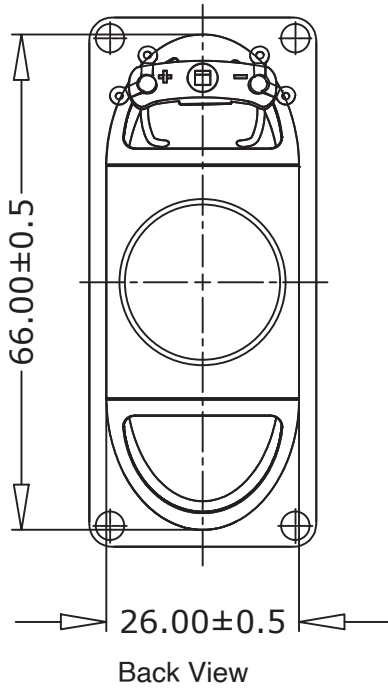


**Mechanical Drawing**  
(Nominal Dimensions, mm)



Note: Speaker connector details view is not 1:1 scale.



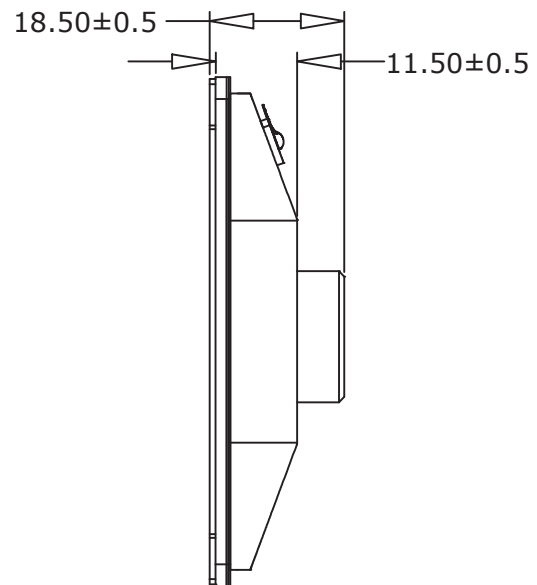
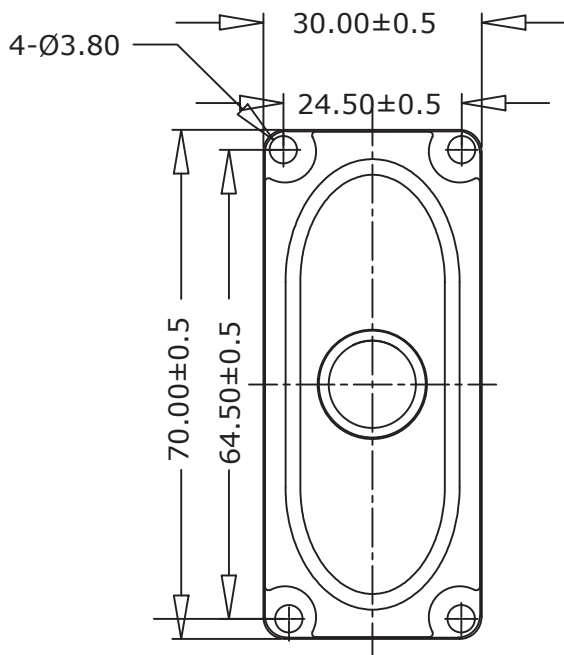
# SUFR7302

## 70mm x 30mm Full Range Speaker Unit

The SUFR7302 is a 70mm x 30mm 8-ohm 2 Watt full range speaker with powerful neodymium motor.

### Features:

- Minimal resonance from paper cone with foam surround.
- Powerful neodymium motor for lightweight and minimal size.
- Flat mounting flange for easy installation and suitable for panel mounting.
- Optimized for voice band.



Note: The installation holes coordinate of 70mmx30mm speakers from different manufacturers are different but, our speaker is designed to be compatible with all the 70mmx30mm speakers.

T-S Parameters:		Electrical Data:	
Resonance frequency [fs]	300Hz	Normal impedance [Zn]	7.27Ω at 1kHz
Mechanical Q factor [Qms]	4.66	Minimum impedance [Zmin]	7.12Ω
Electrical Q factor [Qes]	6.97	Maximum impedance [Zo]	14.91Ω
Total Q factor [Qts]	2.79	DC resistance [Re]	7.17Ω
Force factor [Bl]	1.20Tm	Voice coil inductance [Le]	0.05mH at 1kHz
Mechanical resistance [Rms]	0.30kg/s		
Moving mass [Mms]	0.70g	Mechanical Data:	
Compliance [Cms]	0.40m/N	Voice coil diameter	12.7mm
Effective diaph. diameter [D]	(54 x 25)mm	Voice coil height	3.0mm
Effective piston area [Sd]	11.51cm <sup>2</sup>	Voice coil layer	1
Equivalent volume [Vas]	0.03L	Gap height	1.0mm
Sensitivity (2,83V/0.5m)	84dB	Linear excursion	±1.0mm
		Max mech. excursion	±2.0mm
Power Handling:		Unit weight	36g
Rated power input (IEC 268-5)	2W	Driver displacement volume	0.004L
Max power input (IEC 268-5)	5W		



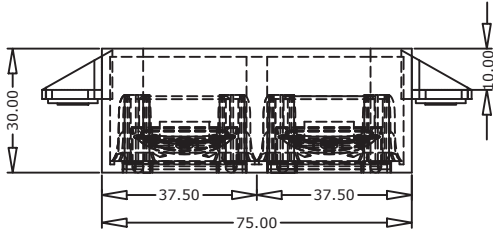
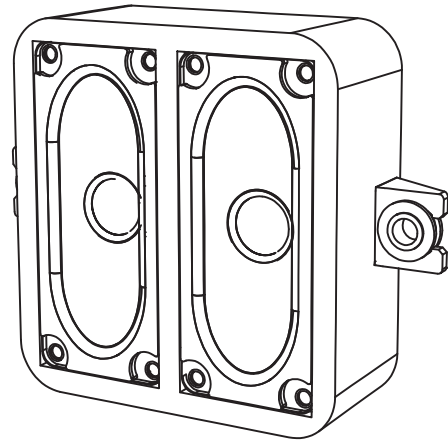


### Box Properties 1

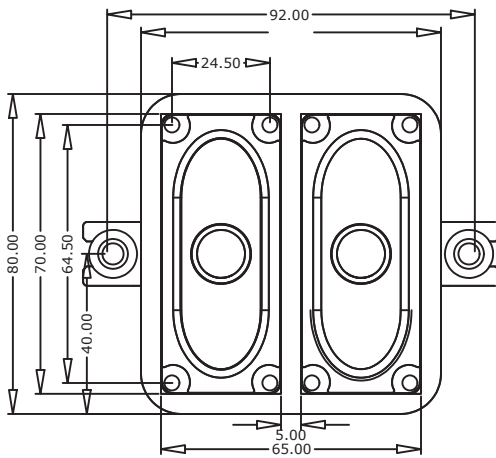
Type: Sealed Box  
Shape: Prism

### Box Parameters

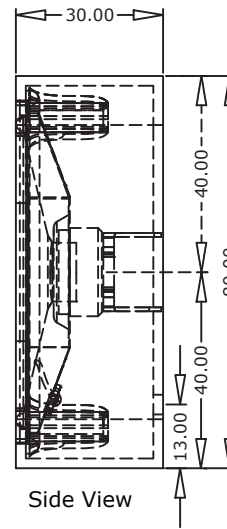
Calculated V<sub>b</sub> = 0.27lts  
Calculated V (total) = 0.28lts  
Actual V<sub>b</sub> = 0.16lts  
Q<sub>tc</sub> = 2.91  
F<sub>3</sub> = 207.18Hz  
Fill = Normal



Top View



Front View

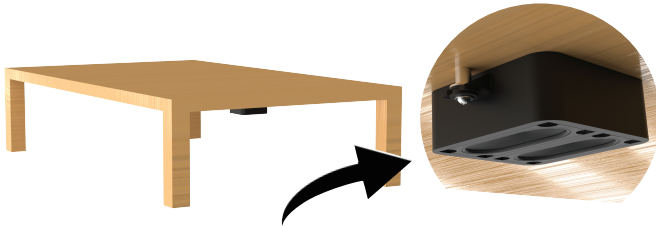


Side View

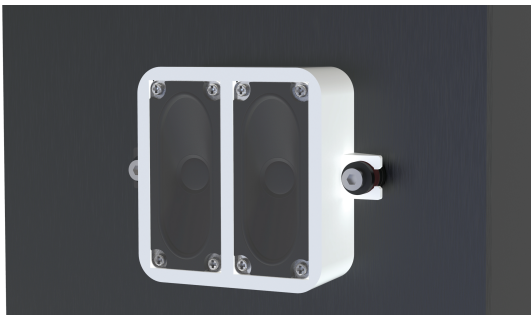
**Notes:**

1. This speaker box is designed and optimized for panel mounting.
2. 3D model is provided for free in our resale website [www.sure-electronics.com](http://www.sure-electronics.com).
3. Actual volume is different with calculation value, but tested and verified, it is an optimized value after prototypes.
4. This model might work with 70mm x 30mm full range units from other brands, but performance is not guaranteed.
5. This speaker box unit is for sale and not a standard accessory, customer can find in our website.

### Table Mount Application



Wood Surface Mounting



Metal Surface Mounting

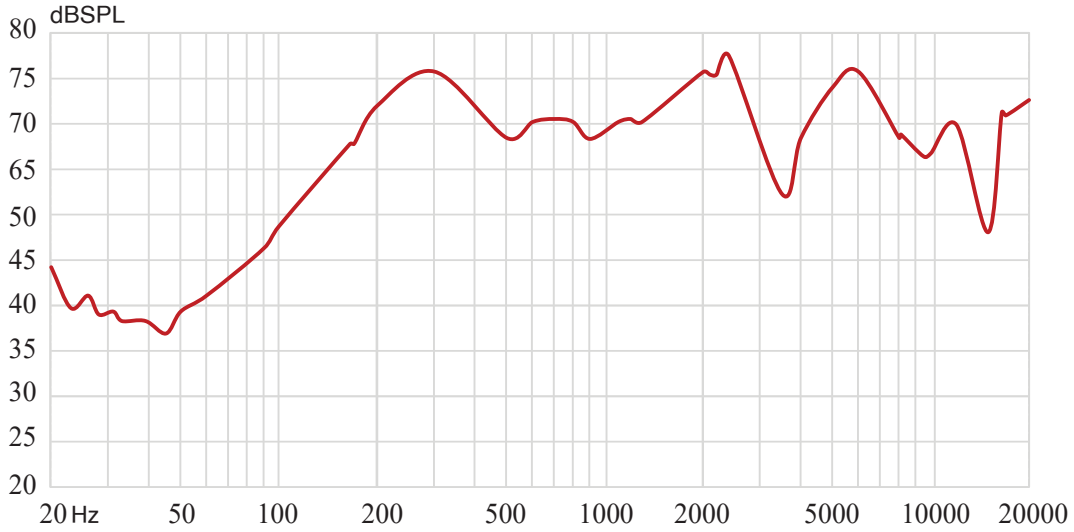
### Special Accessories





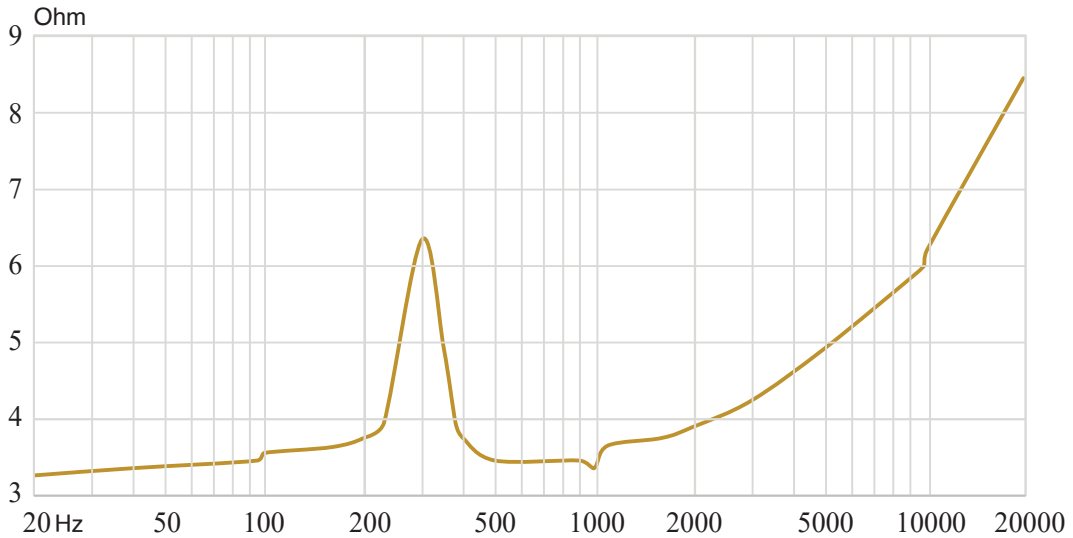
## Frequency Response

### SPL Vs Freq



## Impedance Curve

### Impedance vs Freq



Distributed by:



**Sure Electronics Co., Ltd.**  
Professional Industrial Audio Solution Provider  
3F, Building F6, No. 9, Weidi Road,  
Xianlin, Qixia Dist., Nanjing, China.  
+86(25)8526-0046 | info@sure-electronics.com

To view our products and purchase,  
please visit our website:  
[store.sure-electronics.com](http://store.sure-electronics.com)

Designed by:



58-7-2, Jalan Cantonment,  
Wisma Fortune Heights, 10250, Pulau Pinang, Malaysia.  
+60(4)2189323 | info@wondom.com

To view our products, please visit our website:  
[www.wondom.com](http://www.wondom.com)



## RoHS

- MOQ and SPQ is 4pcs speaker per small cardboard box for retail, incremental is one SPQ 4pcs.
- MOQ and SPQ is 360pcs small cardboard box per carton (530x290x230mm) for wholesale, incremental is one SPQ 360pcs.
- The 3D printed speaker cabinet is for sale, MOQ and SPQ is 2pcs per small cardboard box too.

Drafted: .....

Approved: .....

Countersigned: .....