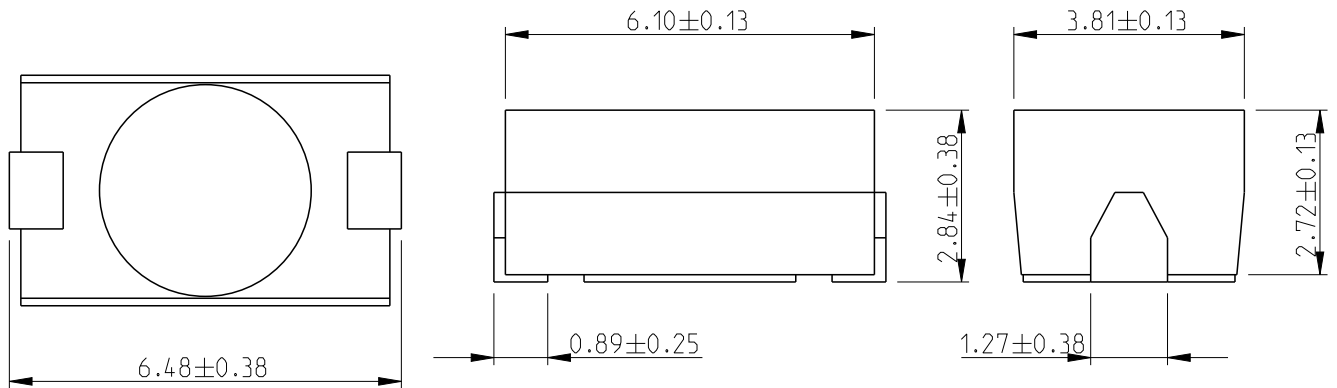


REVISIONS					
P	LTR	DESCRIPTION	DATE	DWN	APVD
	BA	NEW RELEASE	10JULY2010	PT	St.P
	BA1	ECR-13-018622	28NOV2013	KR	TN
	BB	ECR-14-002163	17FEB2014	KR	TN

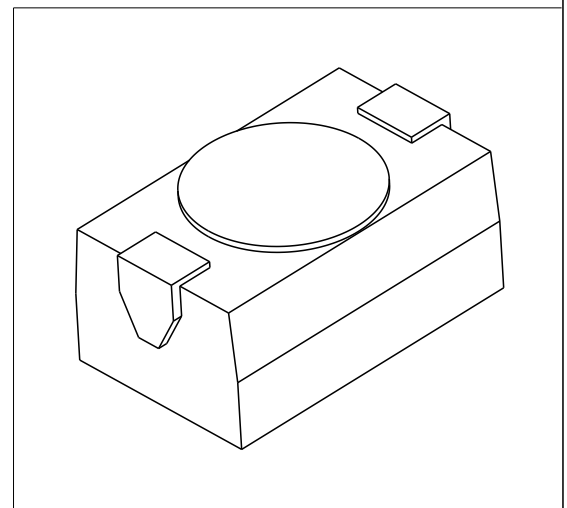
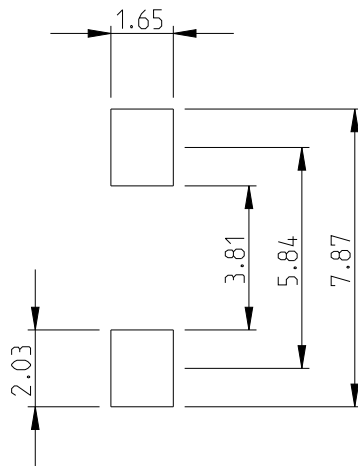
NOTE:

1. Terminal Finish - Hot Dipped Sn. Min 5 μM

FOR FURTHER INFORMATION SEE DATA SHEET FOR SERIES S - SMD MOULDED POWER RESISTOR



RECOMMENDED LAND PATTERN



2008


RELEASED FOR PUBLICATION

ALL RIGHTS RESERVED.

THIS DRAWING IS UNPUBLISHED.

BY -

© COPYRIGHT 2008

DIMENSIONS:	DWN PARUSURAM.T	10JULY2010	MATERIAL	-	FINISH	-
mm	CHK ALLAN.P	10JULY2010	 TE Connectivity			
TOLERANCES UNLESS OTHERWISE SPECIFIED:	APVD STEPHEN.P	10JULY2010				
0 PLC ± 0.2	PRODUCT SPEC	-	NAME SMD MOULDED POWER RESISTOR SERIES SP1			
1 PLC ± 0.1	APPLICATION SPEC	-	SIZE	CAGE CODE	DRAWING NO	RESTRICTED TO
2 PLC \pm	WEIGHT	-	A 4	00779	C=1624282	-
3 PLC \pm	Customer Drawing		SCALE	SHEET	REV	
4 PLC \pm			8:1	1 OF 1	BB	
ANGLES $\pm 5^\circ$						