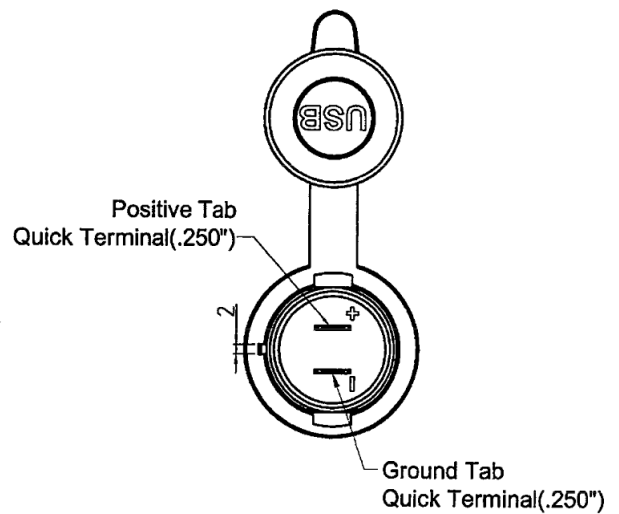
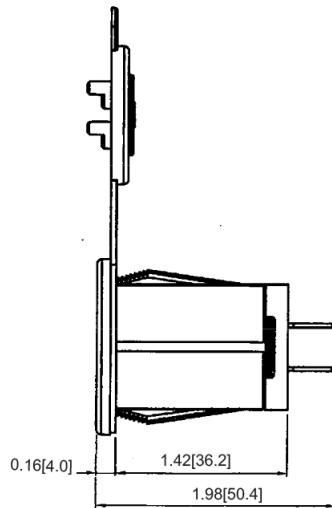
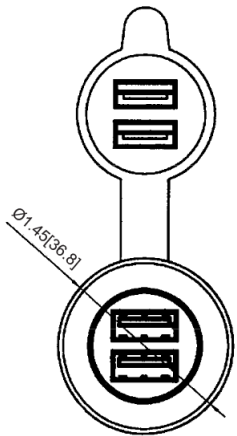
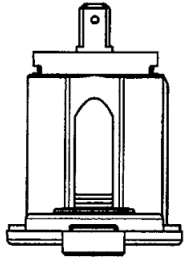
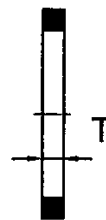
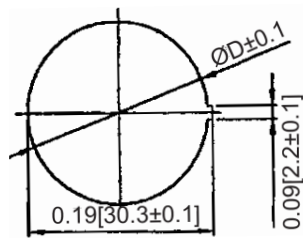


Mechanical Dimensions: Inches [mm]

Tolerances ± 0.012 [0.3] Unless Otherwise Specified



Mounting Hole



T	0.1 [2.5]	0.15 [3.8]	0.25 [6.3]	0.29 [7.3]
D	$\text{\O}1.14$ [29.0]	$\text{\O}1.14$ [29.0]	$\text{\O}1.16$ [29.5]	$\text{\O}1.17$ [29.8]

Electrical Specifications

Input Rating	12/24V
Output Rating	5V 2.1A max DC
Insulation Resistance	DC 500V 100M ohms
Dielectric Strength	AC 1500V 1 min
Operating Temperature	-20°C ~ 45°C

Material Specifications

	LED power indicator inside
Housing	Nylon with Fiberglass (UL94-HB), Black
Cap	PVC

Rev Date of issue Revision Notes

Designed Approved

A	11-30-2020	Initial Drawing	RC	OF
---	------------	-----------------	----	----