

**Pb** THIS PRODUCT MANUFACTURED WITH LEAD-FREE PROCESSING

**DESIGNED & DIMENSIONED IN MILLIMETERS[INCHES]**

**HDBNC-P-C-XX-ST-CA6X**

GENDER  
-P: PLUG

TYPE  
-C: CABLE

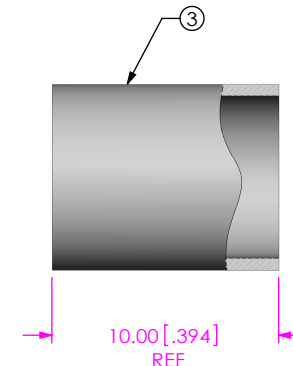
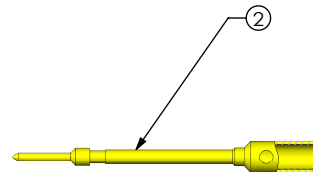
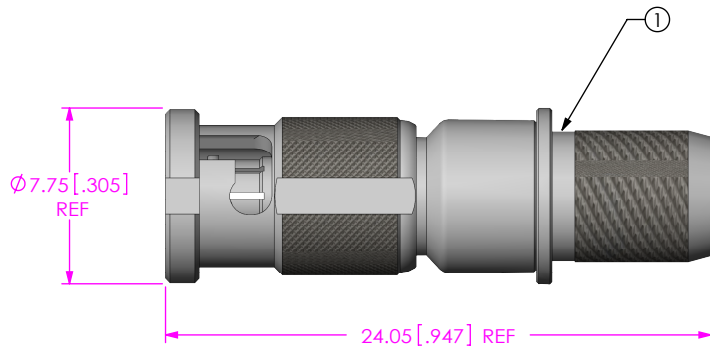
CRIMP OPTION  
(LEAVE BLANK FOR SOLDERED CENTER CONTACT)  
-C: CRIMPABLE CENTER CONTACT  
(USE HDBNC-P-C-X-ST-CA6-PIN-C)

TERMINATION  
-CA6: CCA-1694A OR CCA-6 CABLE

ORIENTATION  
-ST: STRAIGHT

PLATING SPECIFICATION  
-HF: HEAVY GOLD /FLASH GOLD  
30µ" Au / 50µ" Ni MIN ON PIN  
3µ" Au / 50µ" Ni MIN ON OUTER CONTACT  
100µ" Ni MIN ON OTHER COMPONENTS  
-HN: HEAVY GOLD / NICKEL  
30µ" Au / 50µ" Ni MIN ON PIN  
100µ" Ni MIN ON OUTER CONTACT  
-GF: GOLD /FLASH GOLD  
10µ" Au / 50µ" Ni MIN ON PIN  
3µ" Au / 50µ" Ni MIN ON OUTER CONTACT  
100µ" Ni MIN ON OTHER COMPONENTS  
-GN: GOLD / NICKEL  
10µ" Au / 50µ" Ni MIN ON PIN  
100µ" Ni MIN ON OUTER CONTACT  
(SEE TABLE 1)

DO NOT SCALE FROM THIS PRINT



**TABLE 1**

ITEM	COMPONENT	-HF	-HN	-GF	-GN
1	SUB ASSEMBLY	SUB-HDBNC-P-C-FN-ST-CA6	SUB-HDBNC-P-C-NN-ST-CA6	SUB-HDBNC-P-C-FN-ST-CA6	SUB-HDBNC-P-C-NN-ST-CA6
2	PIN (SEE TABLE 2)	HDBNC-P-C-H-ST-CA6-PIN-X	HDBNC-P-C-H-ST-CA6-PIN-X	HDBNC-P-C-G-ST-CA6-PIN-X	HDBNC-P-C-G-ST-CA6-PIN-X
3	FERRULE	HDBNC-FER-001-N			

**TABLE 2**

OPTION	PIN
-CA6	HDBNC-P-C-X-ST-CA6-PIN
-CA6C	HDBNC-P-C-X-ST-CA6-PIN-C

NOTES:

- ① REPRESENTS A CRITICAL DIMENSION.
- PRODUCT TO BE PACKAGED PER PACKING STANDARD CO-RF-WI-3040-M.

UNLESS OTHERWISE SPECIFIED, DIMENSIONS ARE IN MILLIMETERS.  
TOLERANCES ARE:  
DECIMALS ANGLES  
X.X: ±0.3 [.01] 5°  
X.XX: ±0.13 [.005]  
X.XXX: ±0.051 [.0020]

**PROPRIETARY NOTE**  
THIS DOCUMENT CONTAINS CONFIDENTIAL AND PROPRIETARY INFORMATION AND ALL DESIGN, MANUFACTURING, REPRODUCTION, USE, PATENT RIGHTS AND SALES RIGHTS ARE EXPRESSLY RESERVED BY SAMTEC, INC. THIS DOCUMENT SHALL NOT BE DISCLOSED, IN WHOLE OR PART, TO ANY UNAUTHORIZED PERSON OR ENTITY NOR REPRODUCED, TRANSFERRED OR INCORPORATED IN ANY OTHER PROJECT IN ANY MANNER WITHOUT THE EXPRESS WRITTEN CONSENT OF SAMTEC, INC.

MATERIAL: DO NOT SCALE DRAWING  
COUPLING NUT, SHELL, BODY, PIN, FERRULE, C-RING, FLAT WASHER : BRASS  
GASKET: SILICONE  
SPRING: STAINLESS STEEL  
DIELECTRIC: PTFE

SHEET SCALE: 3:1

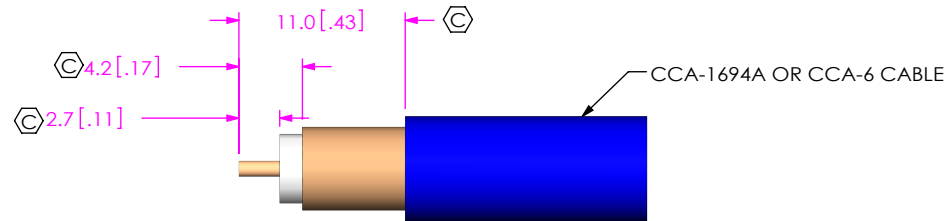


520 PARK EAST BLVD, NEW ALBANY, IN 47150  
PHONE: 812-944-6733 FAX: 812-948-5047  
e-Mail info@SAMTEC.com code 55322

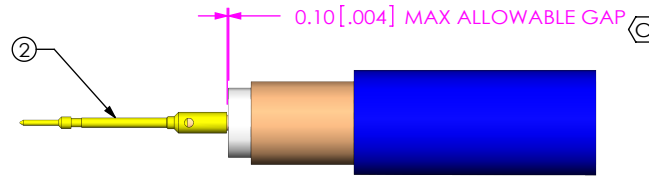
DESCRIPTION:  
HD BNC 75 OHM, ST PLUG FOR RG6 CABLE

DWG. NO.  
**HDBNC-P-C-XX-ST-CA6X**

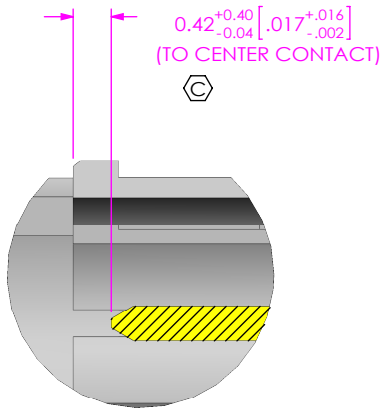
BY: ALVIN W 02/16/2011 SHEET 1 OF 2



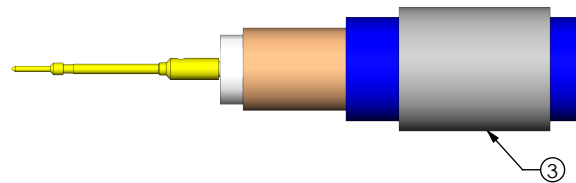
IN-PROCESS 1  
STRIP CABLE



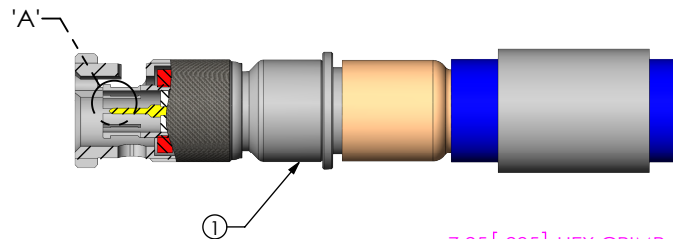
IN-PROCESS 2  
INDUCTION SOLDER SIGNAL CONTACT  
OR CRIMP (CA6C OPTION) USING .042" SQUARE DIE



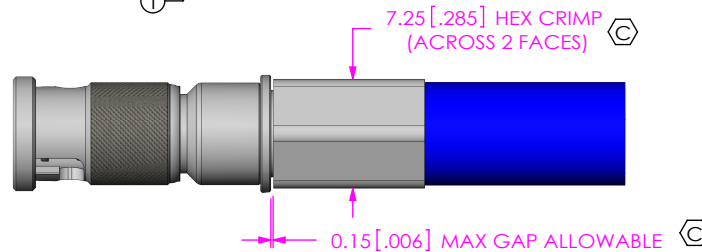
DETAIL 'A'  
SCALE 12:1



IN-PROCESS 3  
ADD FERRULE



IN-PROCESS 4  
FLARE BRAIDED SHIELD AND ADD SUB ASSEMBLY  
CABLE FOIL WRAP TO BE INSERTED INSIDE CABLE BODY



IN-PROCESS 5  
CRIMP FERRULE  
(USE .278" HEX DIE)

**PROPRIETARY NOTE**  
THIS DOCUMENT CONTAINS CONFIDENTIAL AND PROPRIETARY INFORMATION AND ALL DESIGN, MANUFACTURING, REPRODUCTION, USE, PATENT RIGHTS AND SALES RIGHTS ARE EXPRESSLY RESERVED BY SAMTEC, INC. THIS DOCUMENT SHALL NOT BE DISCLOSED, IN WHOLE OR PART, TO ANY UNAUTHORIZED PERSON OR ENTITY NOR REPRODUCED, TRANSFERRED OR INCORPORATED IN ANY OTHER PROJECT IN ANY MANNER WITHOUT THE EXPRESS WRITTEN CONSENT OF SAMTEC, INC.

DO NOT SCALE DRAWING

SHEET SCALE: 2:1



520 PARK EAST BLVD, NEW ALBANY, IN 47150  
PHONE: 812-944-6733 FAX: 812-948-5047  
e-Mail info@SAMTEC.com code 55322

DESCRIPTION:  
HD BNC 75 OHM, ST PLUG FOR RG6 CABLE

DWG. NO.  
HDBNC-P-C-XX-ST-CA6X

BY:ALVIN W 02/16/2011 SHEET 2 OF 2