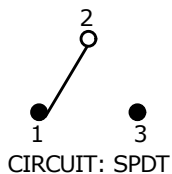
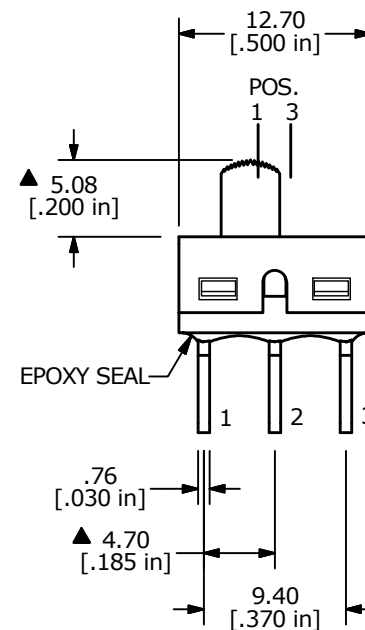
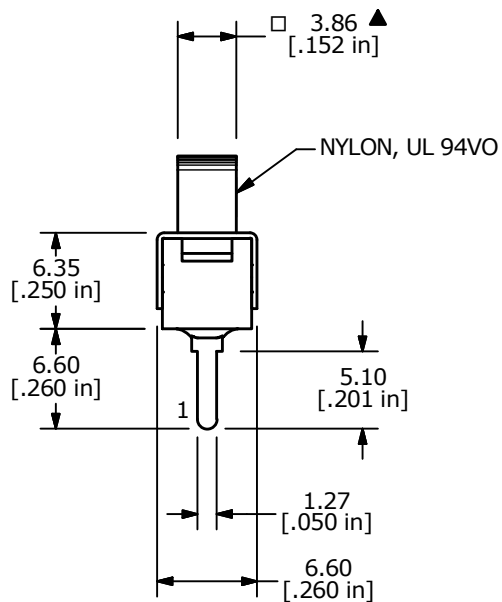


▲ SWITCH FUNCTION		
POS. 1	POS. 2	POS. 3
ON	NONE	ON
2-1	OPEN	2-3



NOTE:

1. ALL DIMENSIONS IN MM [INCH]
2. GENERAL TOLERANCE: X.X = ±0.4
X.XX = ±0.25
3. TERMINAL NUMBERS FOR REF ONLY
- ▲ 4. PLATING MATERIAL: GOLD
5. RATING: 0.4 (VA) MAX. @20V MAX.
6. ELECTRIC LIFE: 30,000 MAKE AND BREAK CYCLES.
7. INSULATION RESISTANCE: 1,000 MEGA-OHM MIN.
8. DIELECTRIC STRENGTH: 1,000 V RMS @SEA LEVEL.
9. OPERATING TEMP.: -30°C to 85°C
10. ▲ DENOTES CRITICAL PARAMETER.
11. 2011/65/EU (ROHS) COMPLIANT



D	23147	drawing update	12/21/17	MW
C	17512	REVISED AND REDRAWN	7/26/07	BF
REV	PCR NO	DESCRIPTION	DATE	BY

E-SWITCH®				
TITLE 500SSP1S1M2REA				
SCALE	DATE	DR	DWG	REV
2:1	7/26/2007	BF	T511004	D