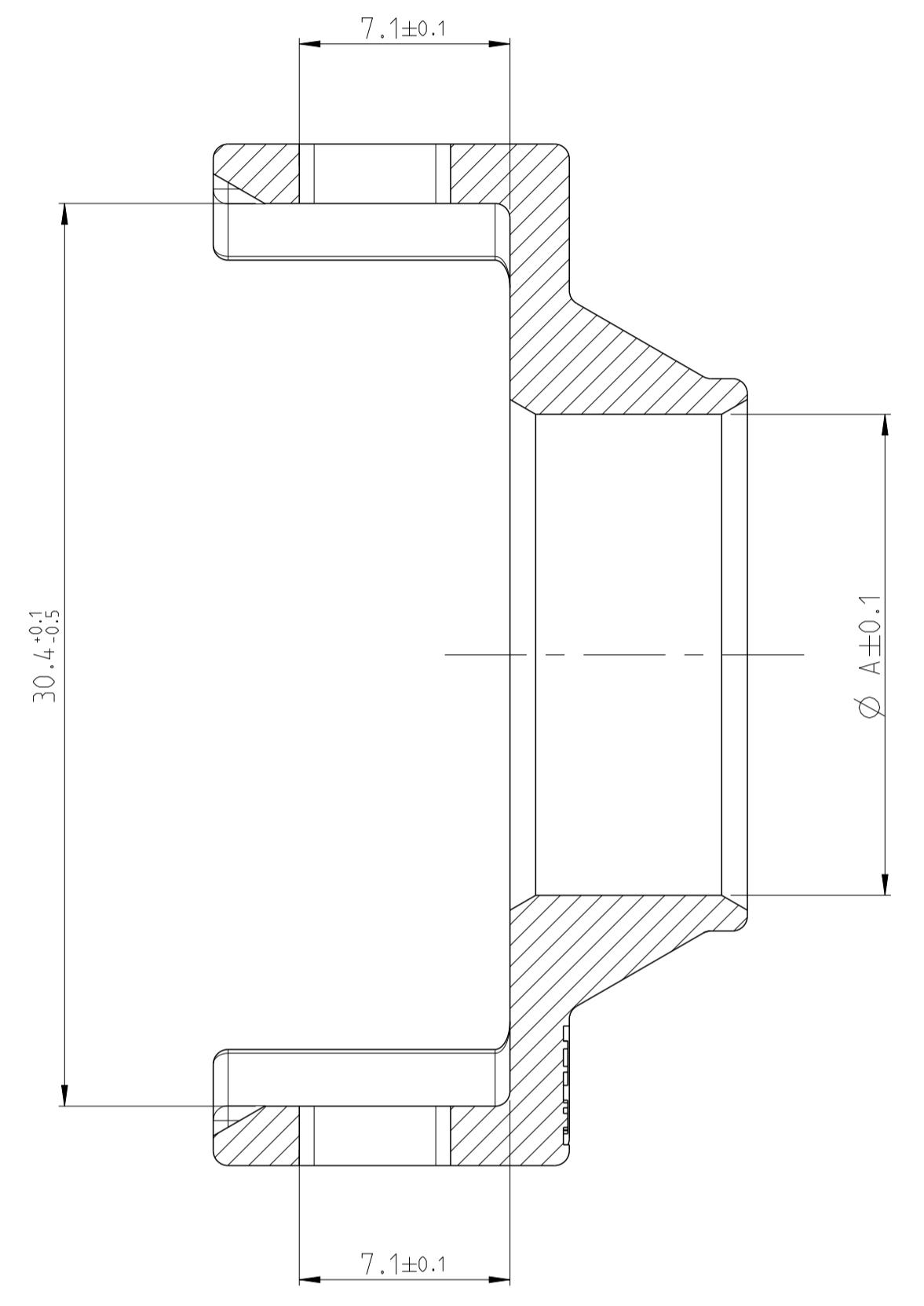
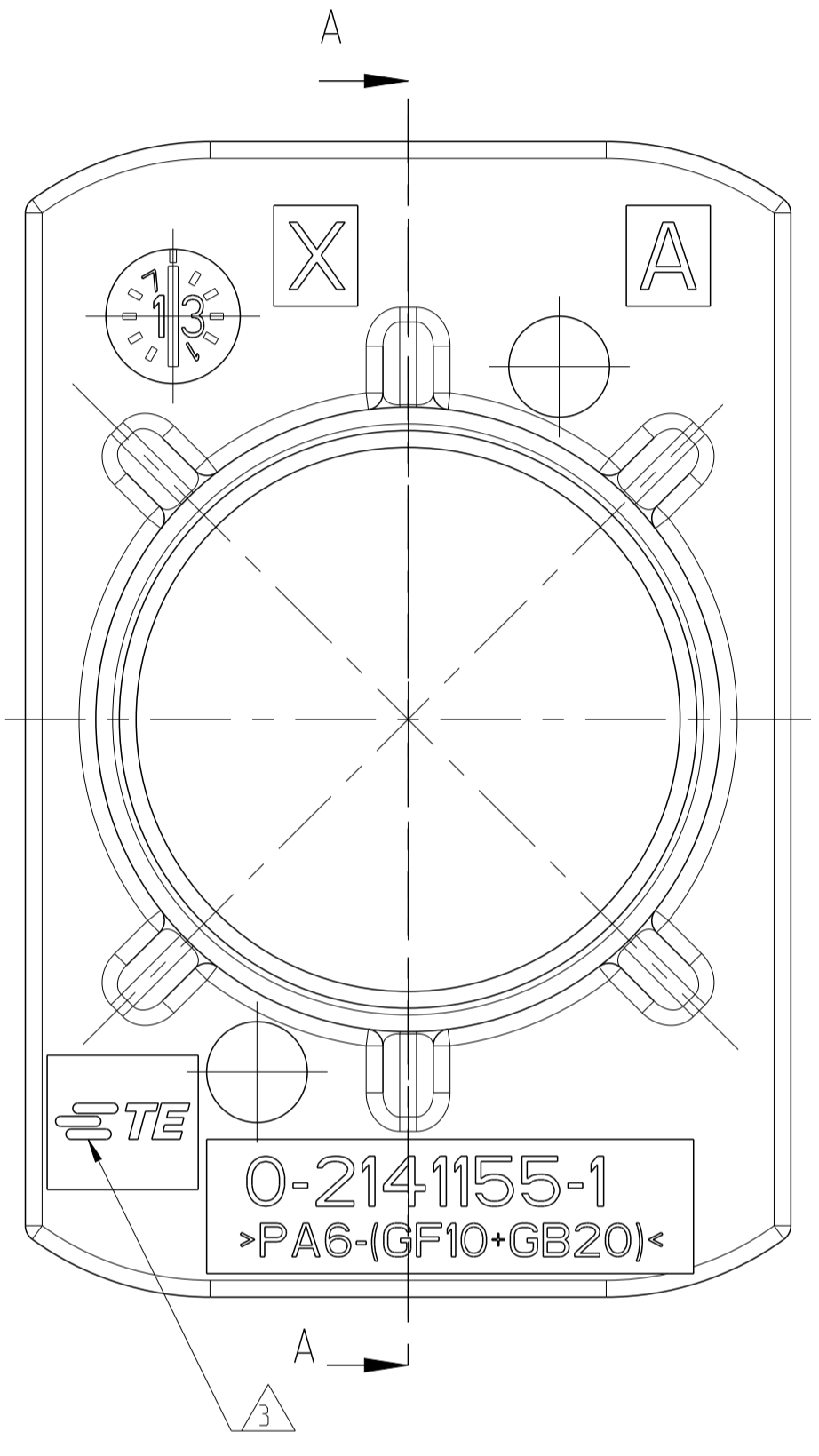
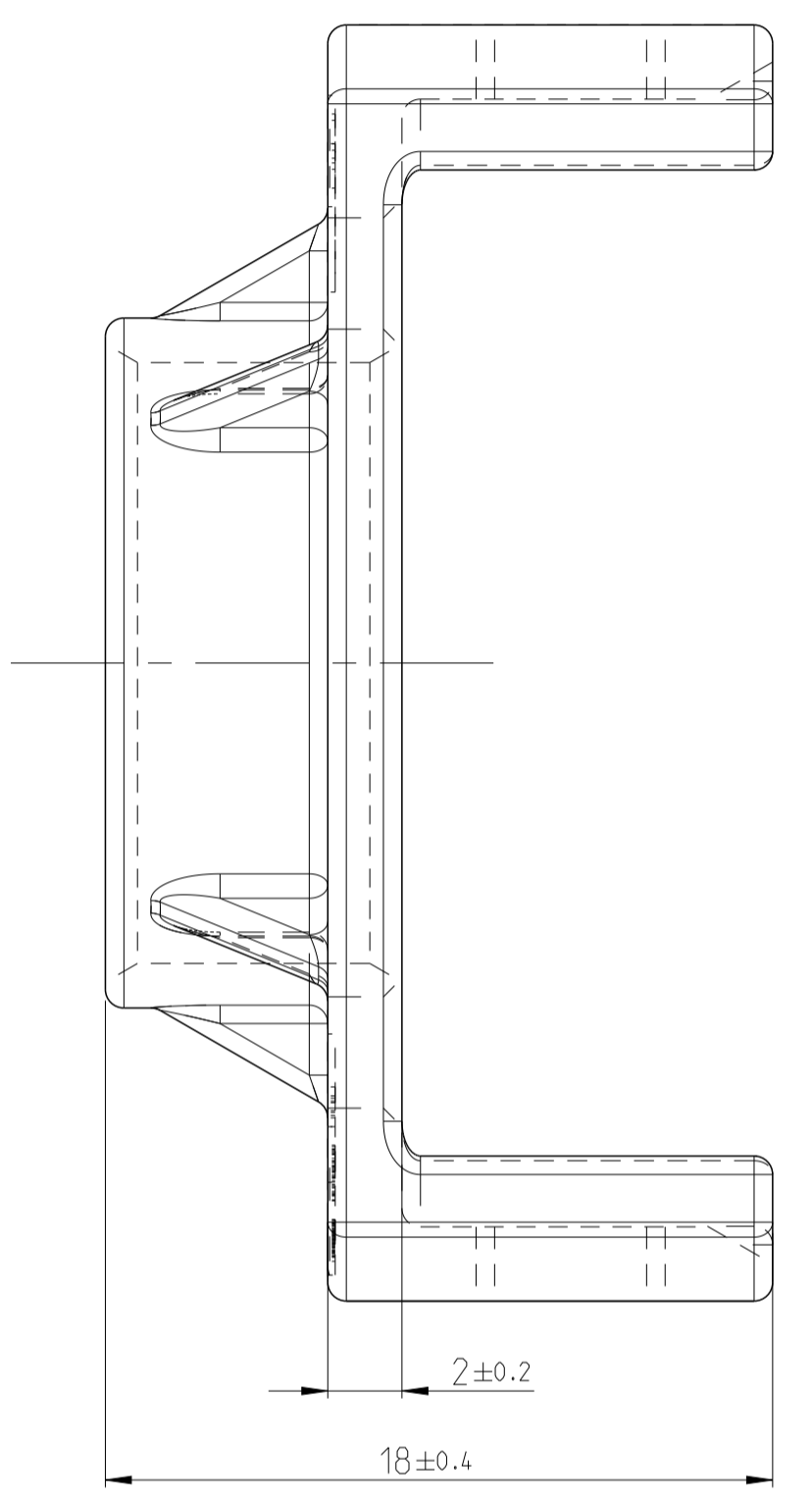
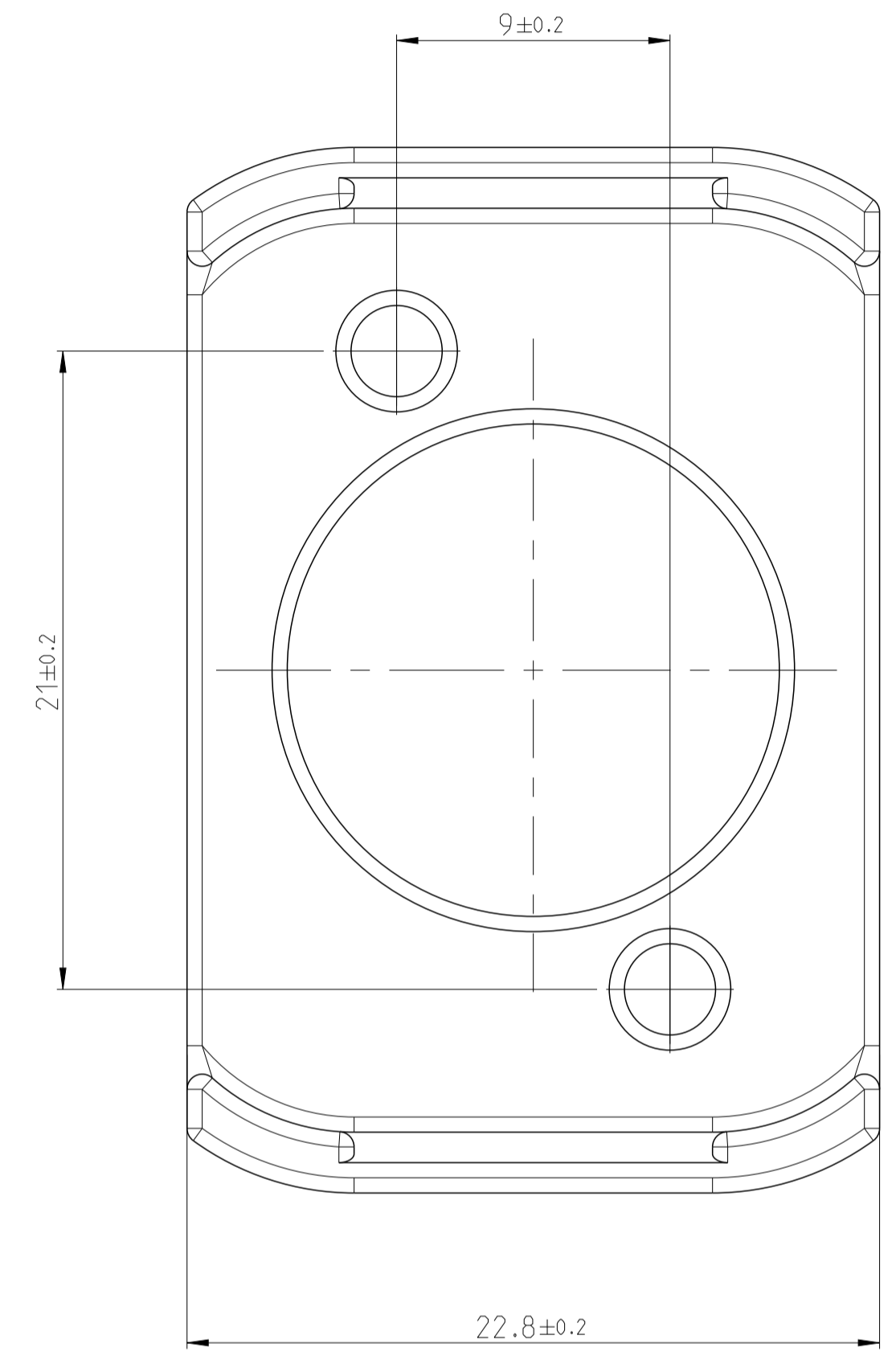
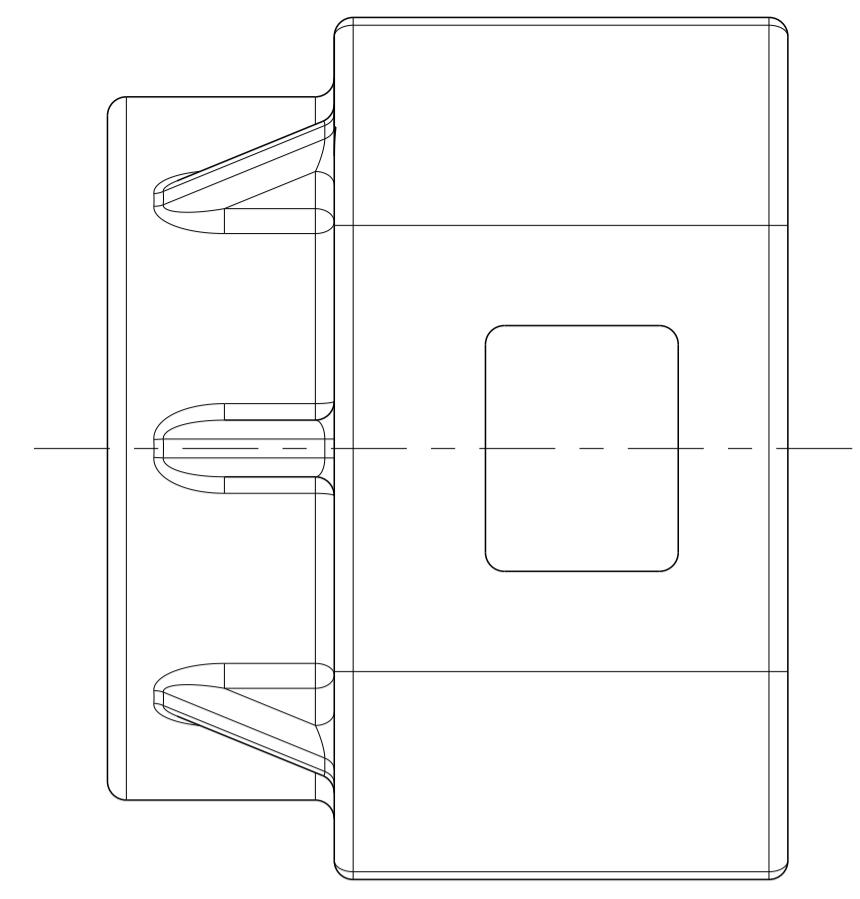
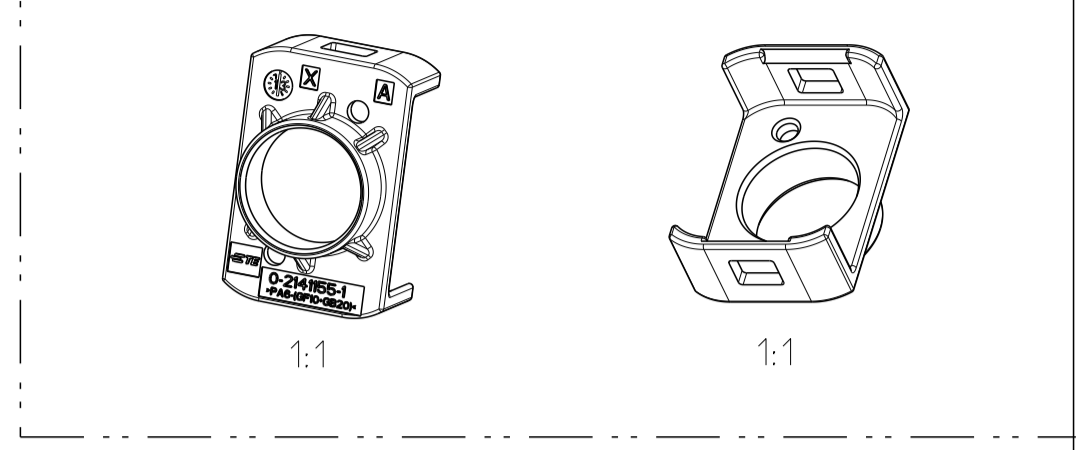


LOC	DIST	REVISONS	DATE	DWN	APVD
A1	-	DESCRIPTION			
PROJEKT NR.:		DESCRIPTION			
C		TABLE SHEET 1 UPDATED	20AUG2015	W SA	DHV
C1		TABLE SHEET 1 UPDATED	02MAR2016	W SA	DHV
D		5- -4 AND 5- -5 VARIANT ADDED IN TABLE	28SEP2017	CR	DHV
Obsolete PN 9-2141155-1/-2/-3/-4					

- NOTES:  
Bemerkungen:
- ONLY THE GERMAN LANGUAGE IS AUTHORITYATIVE  
Maßgebend ist der deutsche Text
  - PACKAGING: BULK PACKAGING IN PLASTIC BAG AND CORRUGATED SHIPPING BOX  
Verpackung: Schuettgut in Beutel und Versandkarton
- △ SUPPLIER-MARK  
Lieferanten Kennzeichnung



TE-PART-NO. TE-Teile-Nr.	DESCRIPTION Benennung	DIMENSION ØA Mass ØA	FOR/fuer WIRE SIZE [MM <sup>2</sup> ] ACCORDING SR216/LV216 Leitungsquerschnitt [mm <sup>2</sup> ]	MATERIAL	WEIGHT Gewicht [ g ]	SURFACE/COLOUR Oberflaeche/Farbe
5-2141155-5	PROTEC. COVER 8MM HV,90 DEG Abdeckkappe 8mm HV, 90 Grad	13.4	35mm <sup>2</sup> FCA Specific	PA6-(GF10+GB20)	3.37	DUSTY GREY / Staubgrau SIM./aehnl. RAL7037
5-2141155-4	PROTEC. COVER 8MM HV,90DEG Abdeckkappe 8mm HV, 90Grad	10.6	16mm <sup>2</sup> FCA Specific	PA6-(GF10+GB20)	3.33	DUSTY GREY / Staubgrau SIM./aehnl. RAL7037
5-2141155-1	PROTEC. COVER 8MM HV,90DEG Abdeckkappe 8mm HV, 90Grad	16.2	50	PA6-(GF10+GB20)	3.3	DUSTY GREY / Staubgrau SIM./aehnl. RAL7037
0-2141155-5	PROTEC. COVER 8MM HV,90 DEG FOR HUBER & SUHNER CABLE Abdeckkappe 8mm HV, 90 Grad fuer HUBER & SUHNER Kabel	13.4	35mm <sup>2</sup> HUBER & SUHNER	PA6-(GF10+GB20)	3.37	ORANGE SIM./aehnl. RAL2003
0-2141155-4	PROTEC. COVER 8MM HV,90DEG Abdeckkappe 8mm HV, 90Grad	10.6	16	PA6-(GF10+GB20)	3.3	ORANGE SIM./aehnl. RAL2003
0-2141155-3	PROTEC. COVER 8MM HV,90DEG Abdeckkappe 8mm HV, 90Grad	12.6	25	PA6-(GF10+GB20)	3.3	ORANGE SIM./aehnl. RAL2003
0-2141155-2	PROTEC. COVER 8MM HV,90DEG Abdeckkappe 8mm HV, 90Grad	14.8	35	PA6-(GF10+GB20)	3.3	ORANGE SIM./aehnl. RAL2003
0-2141155-1	PROTEC. COVER 8MM HV,90DEG Abdeckkappe 8mm HV, 90Grad	16.2	50	PA6-(GF10+GB20)	3.3	ORANGE SIM./aehnl. RAL2003

NOTE Bem.	FEATURE Merkmal	TE-PART-NO. TE-Teile-Nr.
4	PART OF 2 POS, 8MM HV, REC HSG, KIT, 90DEG, SEALED Komponente von 2 pol. gedichtetes KIT, 8mm HV, 90Grad	2282334 2177052
5	PART OF 3 POS, 8MM HV, REC HSG, KIT, 90°, SEALED Komponente von 3 pol. gedichtetes KIT, 8mm HV, 90°	2282335 2177062
△6	PRODUCT-SPEC. Produkt-Spez.	108-94268
△7	APPLICATION SPEC. Verarbeitungsspez.	114-94052

0- -1 AS SHOWN  
wie gezeichnet

DIESE ZEICHNUNG IST EIN KONTROLLIERTES DOKUMENT. BEMASSUNGEN UND TOLERANZEN GEMAESS GPS (ISO STANDARDS). THIS DRAWING IS A CONTROLLED DOCUMENT. DIMENSIONING AND TOLERANCING PER GPS (ISO STANDARDS).

DIMENSIONS: MASSENMESSEN [mm] TOLERANCES UNLESS OTHERWISE SPECIFIED: ALLE TOLERANZEN: 0 PLC ±0.1, 1 PLC ±0.1, 2 PLC ±0.1, 3 PLC ±0.1, 4 PLC ±0.1, 5 PLC ±0.1, 6 PLC ±0.1, 7 PLC ±0.1, 8 PLC ±0.1, 9 PLC ±0.1, 10 PLC ±0.1, 11 PLC ±0.1, 12 PLC ±0.1, 13 PLC ±0.1, 14 PLC ±0.1, 15 PLC ±0.1, 16 PLC ±0.1, 17 PLC ±0.1, 18 PLC ±0.1, 19 PLC ±0.1, 20 PLC ±0.1, 21 PLC ±0.1, 22 PLC ±0.1, 23 PLC ±0.1, 24 PLC ±0.1, 25 PLC ±0.1, 26 PLC ±0.1, 27 PLC ±0.1, 28 PLC ±0.1, 29 PLC ±0.1, 30 PLC ±0.1, 31 PLC ±0.1, 32 PLC ±0.1, 33 PLC ±0.1, 34 PLC ±0.1, 35 PLC ±0.1, 36 PLC ±0.1, 37 PLC ±0.1, 38 PLC ±0.1, 39 PLC ±0.1, 40 PLC ±0.1, 41 PLC ±0.1, 42 PLC ±0.1, 43 PLC ±0.1, 44 PLC ±0.1, 45 PLC ±0.1, 46 PLC ±0.1, 47 PLC ±0.1, 48 PLC ±0.1, 49 PLC ±0.1, 50 PLC ±0.1, 51 PLC ±0.1, 52 PLC ±0.1, 53 PLC ±0.1, 54 PLC ±0.1, 55 PLC ±0.1, 56 PLC ±0.1, 57 PLC ±0.1, 58 PLC ±0.1, 59 PLC ±0.1, 60 PLC ±0.1, 61 PLC ±0.1, 62 PLC ±0.1, 63 PLC ±0.1, 64 PLC ±0.1, 65 PLC ±0.1, 66 PLC ±0.1, 67 PLC ±0.1, 68 PLC ±0.1, 69 PLC ±0.1, 70 PLC ±0.1, 71 PLC ±0.1, 72 PLC ±0.1, 73 PLC ±0.1, 74 PLC ±0.1, 75 PLC ±0.1, 76 PLC ±0.1, 77 PLC ±0.1, 78 PLC ±0.1, 79 PLC ±0.1, 80 PLC ±0.1, 81 PLC ±0.1, 82 PLC ±0.1, 83 PLC ±0.1, 84 PLC ±0.1, 85 PLC ±0.1, 86 PLC ±0.1, 87 PLC ±0.1, 88 PLC ±0.1, 89 PLC ±0.1, 90 PLC ±0.1, 91 PLC ±0.1, 92 PLC ±0.1, 93 PLC ±0.1, 94 PLC ±0.1, 95 PLC ±0.1, 96 PLC ±0.1, 97 PLC ±0.1, 98 PLC ±0.1, 99 PLC ±0.1, 100 PLC ±0.1.

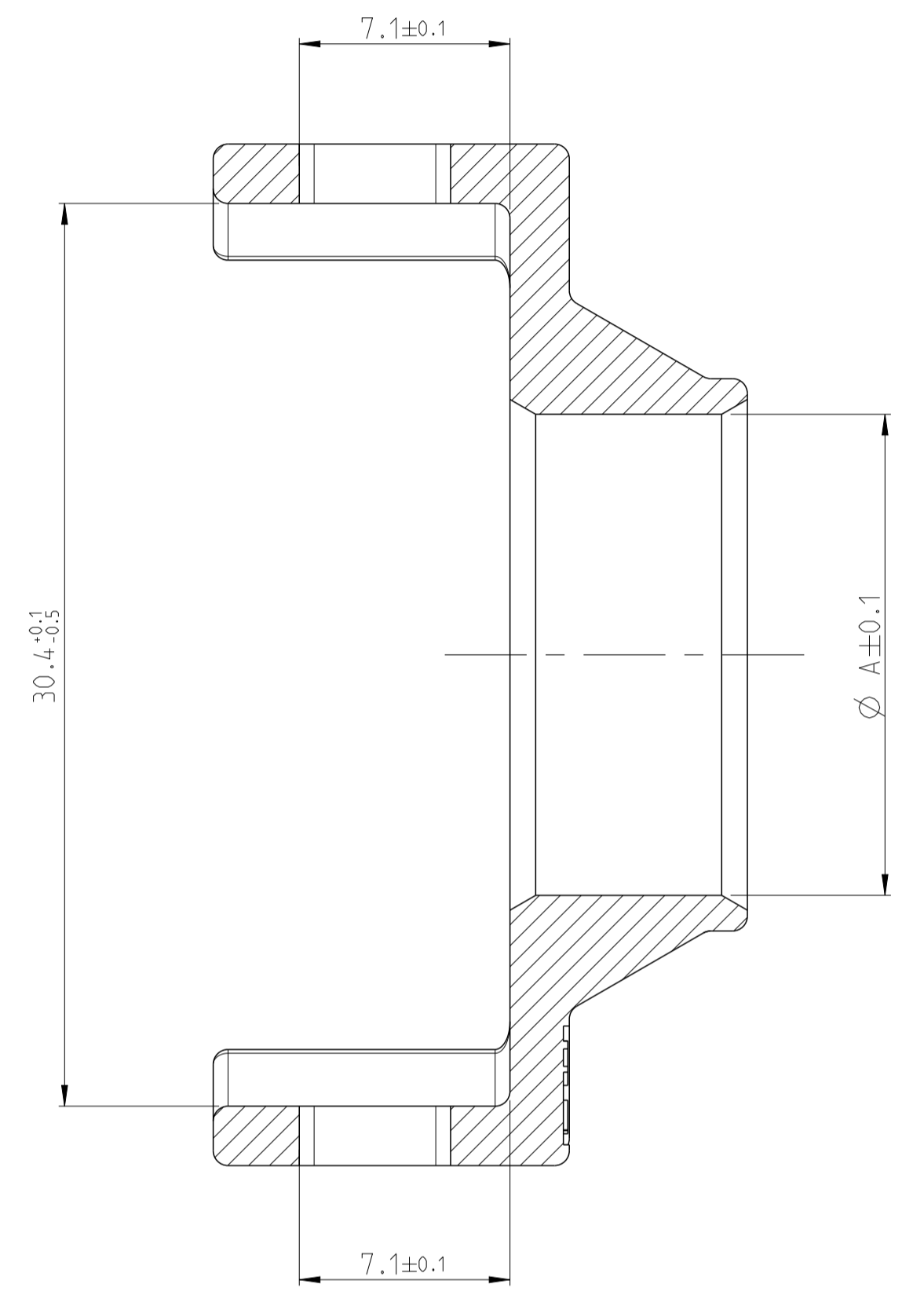
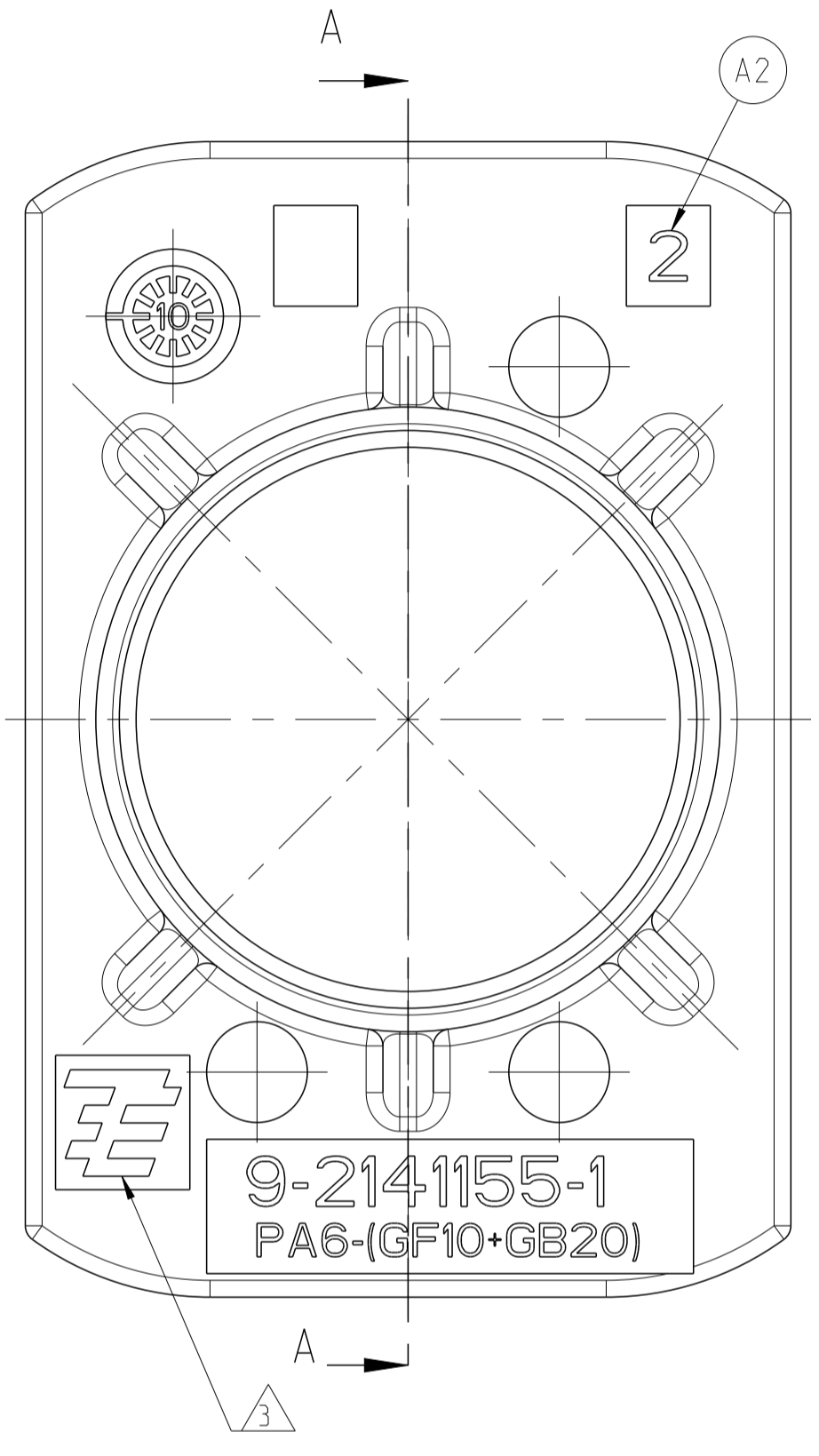
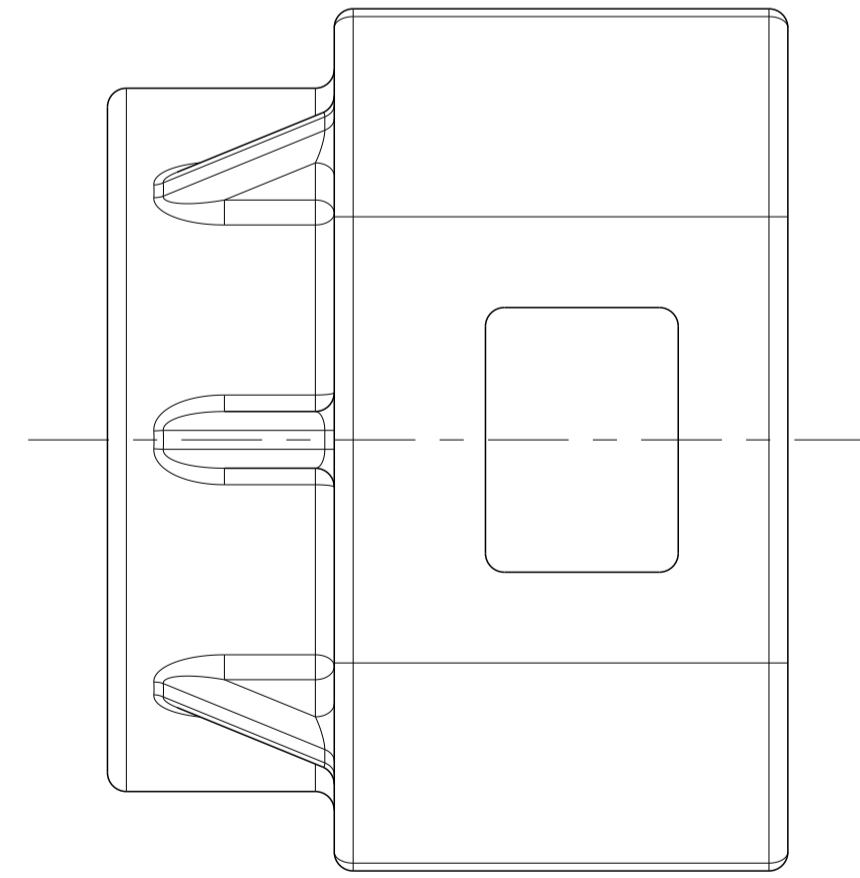
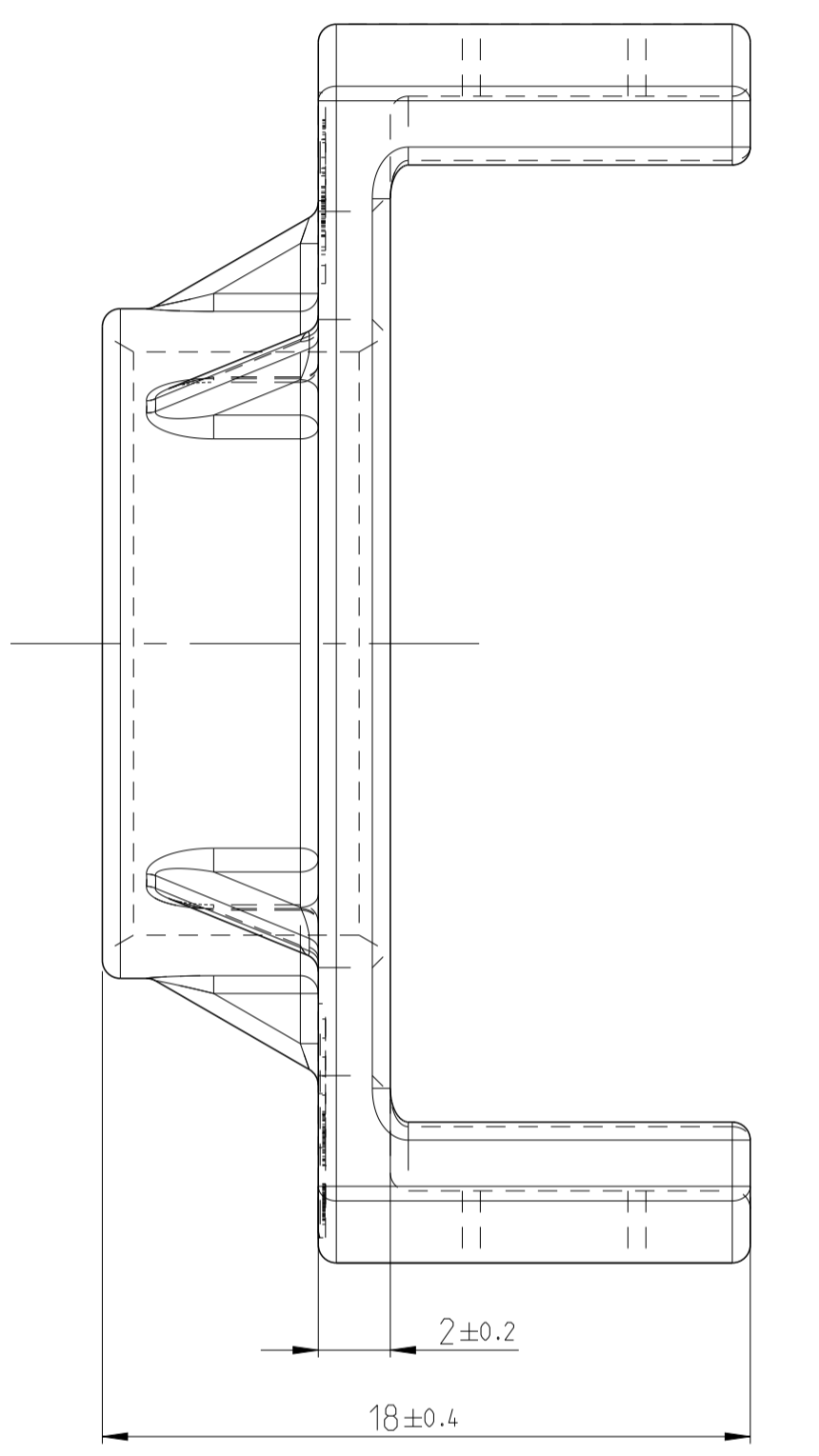
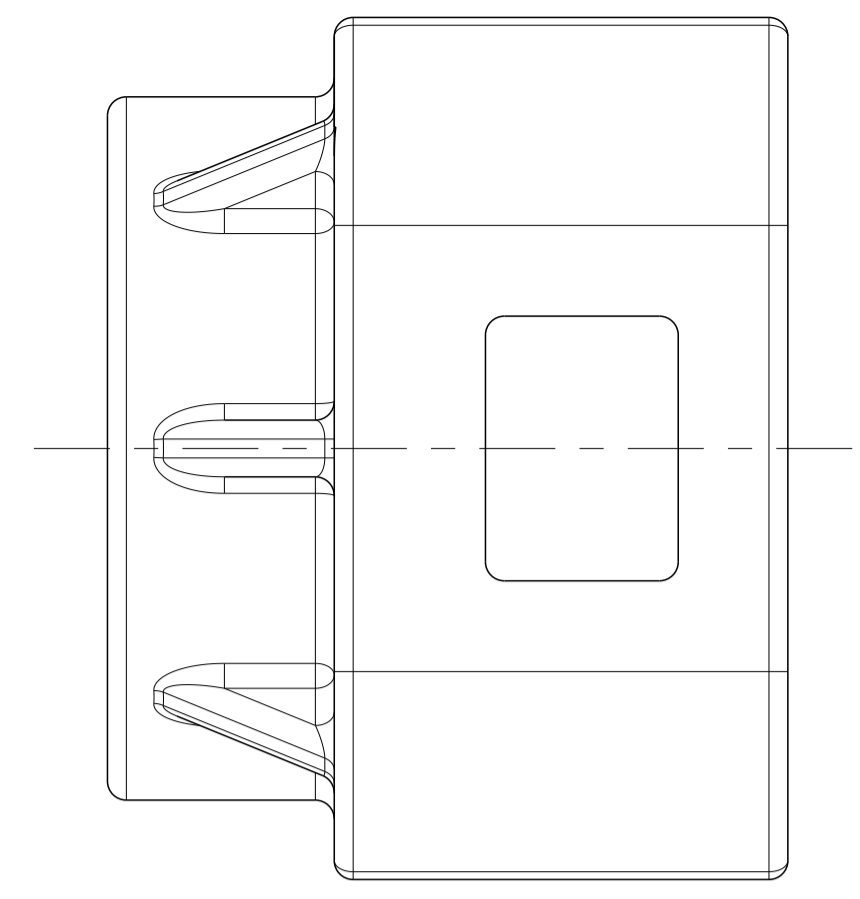
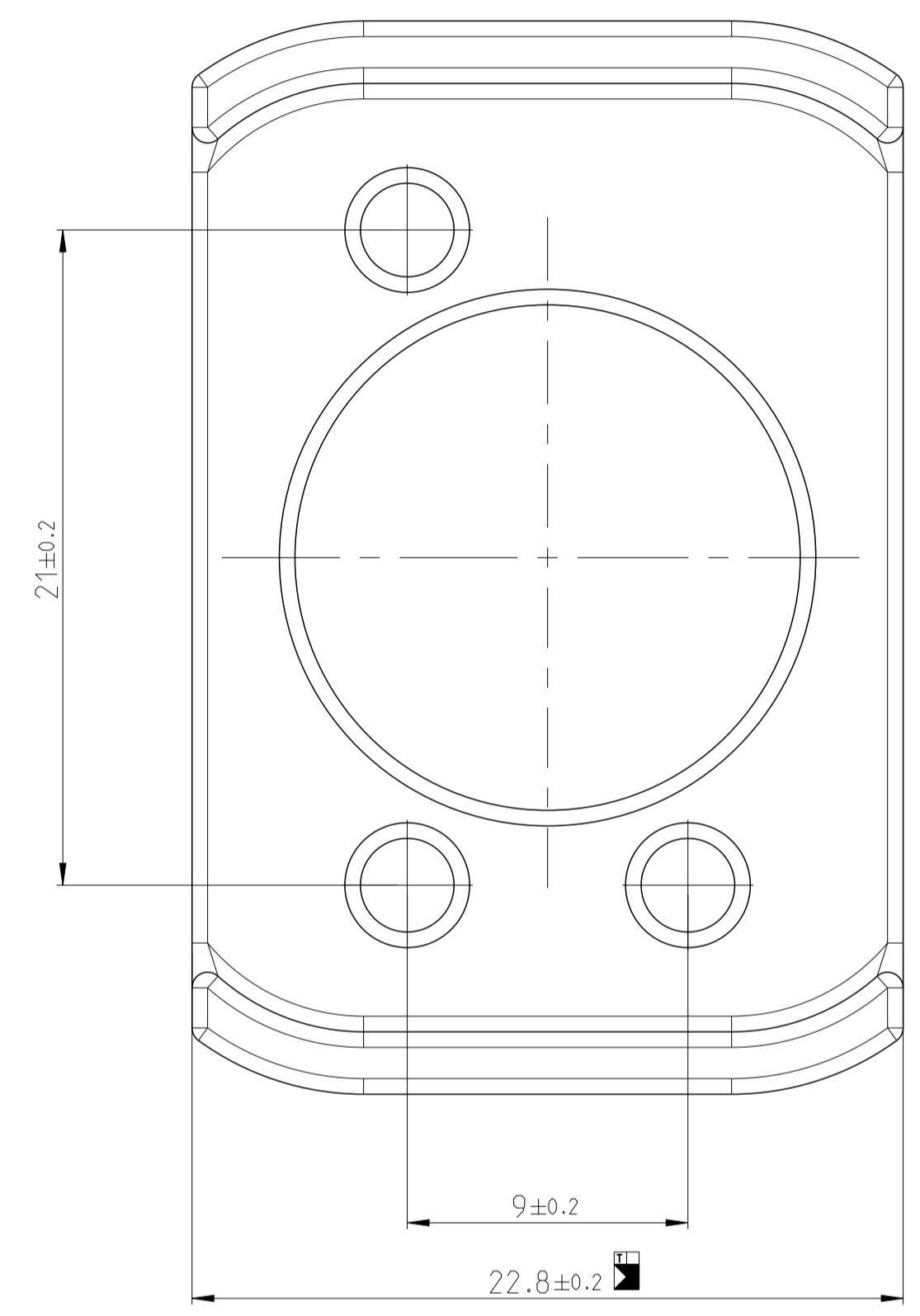
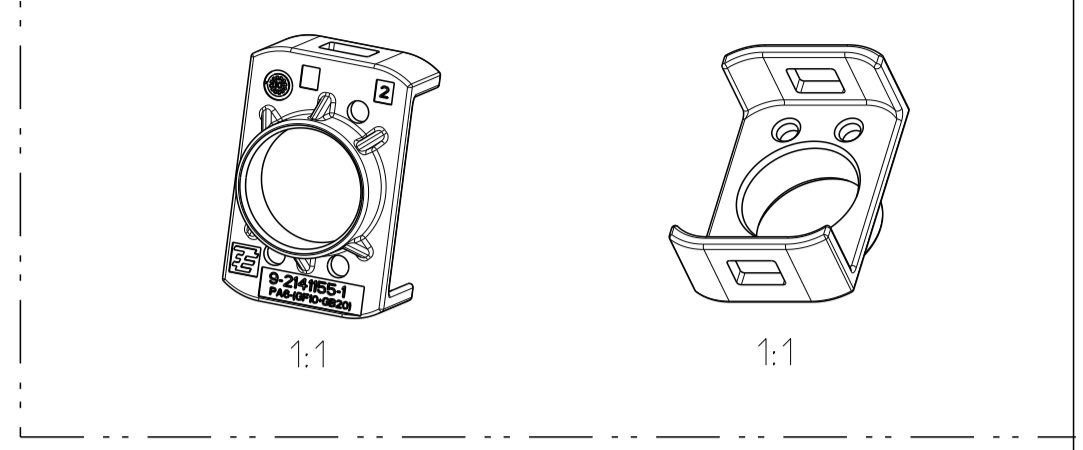
APVD: W. Saenger 05JUN2012, M. Eckel 11JUN2012, W. Balles 15JUN2012

NAME: PROTEC. COVER 8MM HV,90DEG Abdeckkappe 8mm HV, 90Grad

SIZE: A1, CAGE CODE: 00779, DRAWING NO: 2141155, SCALE: 5:1, SHEET: 1 OF 2, REV: D

RESTRICTED TO NUR FÜR

LOC	DIST	REV	DATE	BY	APPV
A1	-				
PROJECT NR.:		SEE SHEET 1			



NOTE Bem.	FEATURE Merkmal	TE-PART-NO. TE-Teile-Nr.
4	PART OF 2 POS. 8MM HV. REC HSG. KIT. 90DEG. SEALED Komponente von 2 pol. gedichtetes KIT, 8mm HV, 90Grad	2141160
5	PART OF 3 POS. 8MM HV. REC HSG. KIT. 90°. SEALED Komponente von 3 pol. gedichtetes KIT, 8mm HV, 90°	2141167
△	PRODUCT-SPEC. Produkt-Spez.	108-94268
△	APPLICATION SPEC. Verarbeitungsspez.	114-94052

- NOTES:  
Bemerkungen:
- ONLY THE GERMAN LANGUAGE IS AUTHORITATIVE  
Maßgebend ist der deutsche Text
  - PACKAGING: BULK PACKAGING IN CORRUGATED SHIPPING BOX  
Verpackung: Schuetftgut in Versandkarton
  - SUPPLIER-MARK  
Lieferanten Kennzeichnung

OBSOLETE

TE-PART-NO. TE-Teile-Nr.	DESCRIPTION Benennung	DIMENSION $\varnothing A$ Mass $\varnothing A$	FOR/fuer WIRE SIZE [MM <sup>2</sup> ] ACCORDING SR216/LV216 Leitungsquerschnitt [mm <sup>2</sup> ]	MATERIAL	WEIGHT Gewicht [g]	SURFACE/COLOUR Oberflaeche/Farbe
9-2141155-4	PROTEC. COVER 8MM HV,90DEG Abdeckkappe 8mm HV, 90Grad	10.6	16	PA6-(GF10+GB20)	3.3	ORANGE SIM./aehnl. RAL2003
9-2141155-3	PROTEC. COVER 8MM HV,90DEG Abdeckkappe 8mm HV, 90Grad	12.6	25	PA6-(GF10+GB20)	3.3	ORANGE SIM./aehnl. RAL2003
9-2141155-2	PROTEC. COVER 8MM HV,90DEG Abdeckkappe 8mm HV, 90Grad	14.8	35	PA6-(GF10+GB20)	3.3	ORANGE SIM./aehnl. RAL2003
9-2141155-1	PROTEC. COVER 8MM HV,90DEG Abdeckkappe 8mm HV, 90Grad	16.2	50	PA6-(GF10+GB20)	3.3	ORANGE SIM./aehnl. RAL2003

9- -2 AS SHOWN wie gezeichnet

DIESE ZEICHNUNG IST EIN KONTROLLIERTES DOKUMENT. DIMENSIONEN UND TOLERANZEN GEMAESS GPS (ISO STANDARDS).		DWN: W. Saenger 15MAR2010		TE Connectivity	
THIS DRAWING IS A CONTROLLED DOCUMENT. DIMENSIONING AND TOLERANCING PER GPS (ISO STANDARDS).		CHK: U. Hoepfner 20MAY2010		NAME: PROTEC. COVER 8MM HV,90DEG Abdeckkappe 8mm HV, 90Grad	
DIMENSIONS: MASSENMESSEN (MM)		TOLERANCES UNLESS OTHERWISE SPECIFIED: ALLE DIMENSIONEN		APV: W. Balles 02JUN2010	
MATERIAL: SEE TABLE		FINISH/SCHLUESSLICH/FARBE: SEE TABLE		APPLICATION SPEC. VERARBEITUNGSSPEZ.	
WEIGHT: SEE TABLE		CUSTOMER DRAWING		SCALE: 1:1	
SIZE: A1		CAGE CODE: 00779		DRAWING NO.: 2141155	
SHEET: 2		OF: 2		REV: D	