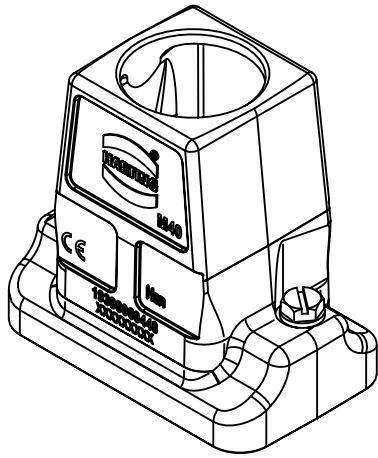
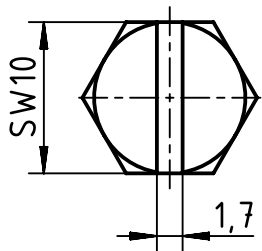


1 2 3 4 5 6

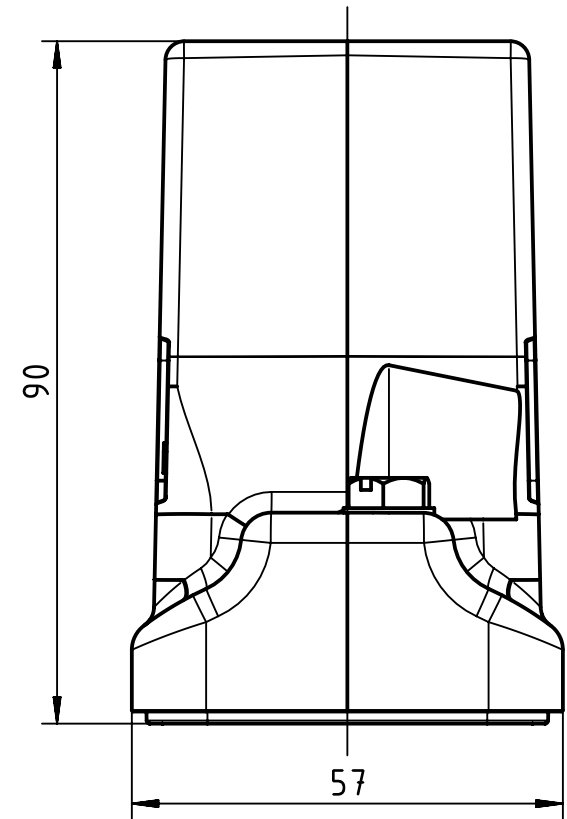
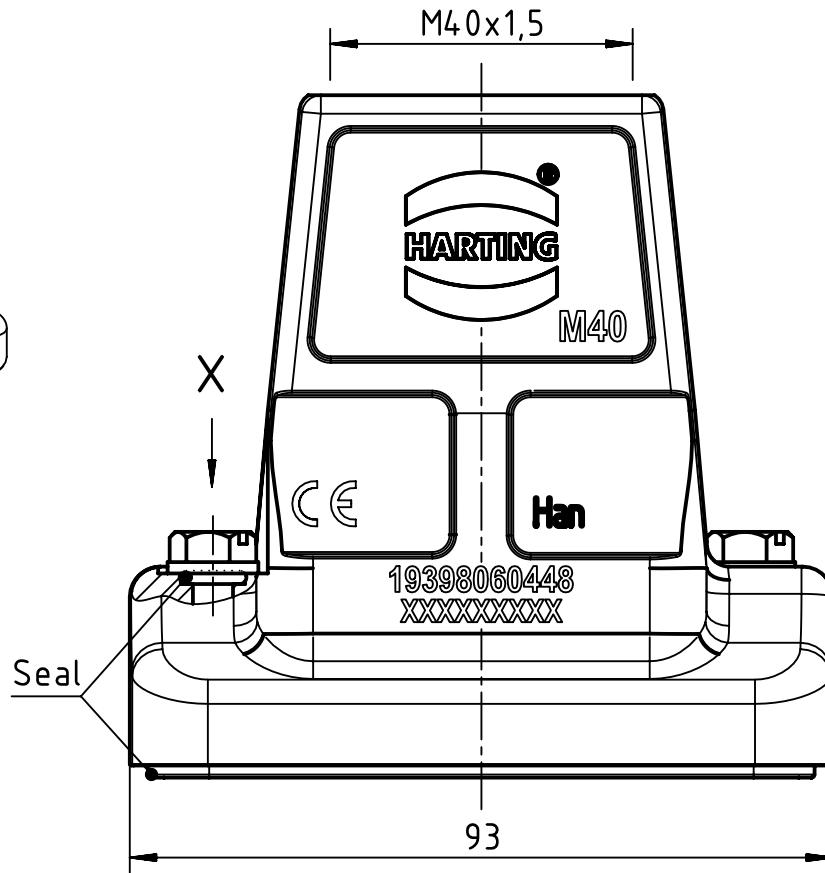
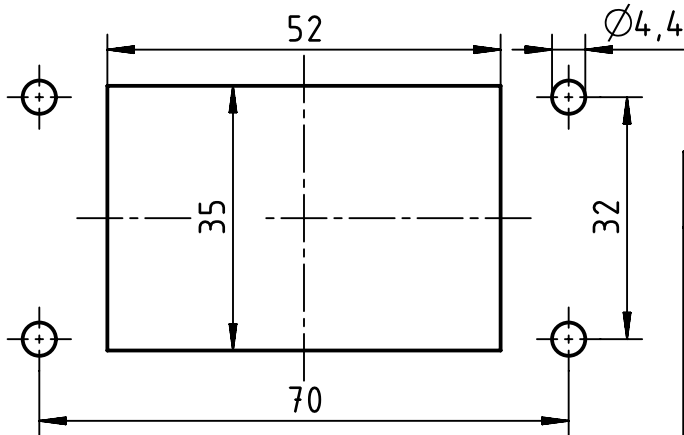
A
B
C
D



X (2:1)



Panel cut out



	All Dimensions in mm Original Size DIN A4		Scale 1:1	Free size tol.		Ref.	
	All rights reserved Department EL PD		Created by ZHUANGJ	Inspected by LUOK	Standardisation 302077	Date 2021-02-23	State Final Release
HARTING (Zhuhai) Manufacturing Co., Ltd. 519085 Zhuhai, China			Title Han 6HP Direct/EMV-HTE-M40			Doc-Key / ECM-Nr. 100664940/UGD/005/F 500000187461	
			Type TB	Number 19 39 806 0448		Rev. F	Page 1/1