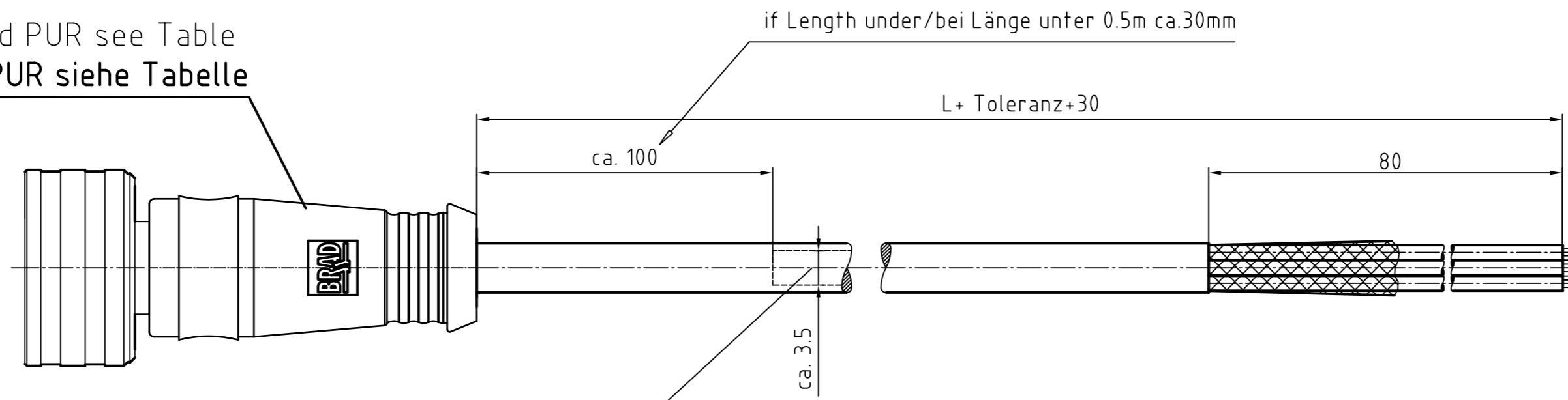
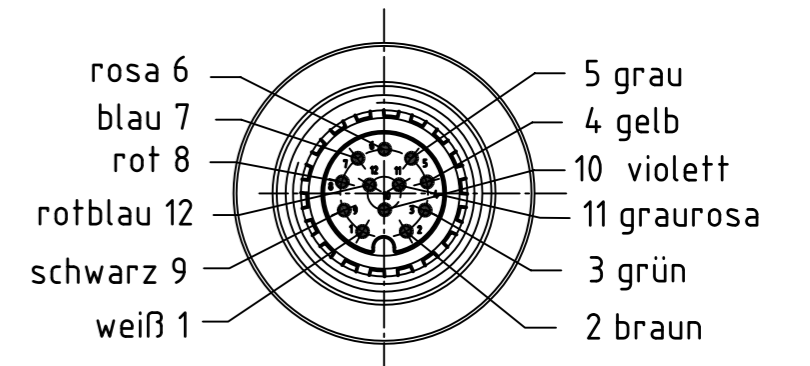


Overmold PUR see Table
 Umspritzung PUR siehe Tabelle



Mating Side
 Male Cable Connector shielded
 Kabelstecker U-Lock geschirmt
 12-Pol



Cable printing:
Kabelbedruckung: Woodhead Connectivity GmbH W0CS06P45MXXX X..

Prod. Date as defined in
 Fertigungsdatum gemäß
 WN 00001 aufdrucken

Allgemeine Kennwerte General Characteristics		Norm Standard	
Polzahl Kontaktanordnung	Number of contacts Contact configuration	IEC 947-5-2	12
Bemessungsspannung	Rated Voltage	IEC 664	30V AC / DC
Verschmutzungsgrad	Pollution Degree	IEC 664	3
Betriebstom	Current carrying capacity	IEC 512-3 Test 5 b	1,5A
Durchgangswiderstand	Contact Resistance	IEC 512-2 Test 2 a	< 5m0hm
Bemessungsstoßspannung	Rated Impulse Withstand Voltage	IEC 664	0,8 kV
Prüfspannung	Test Voltage	IEC 60512-2 Test 4 A	0,5 kV / 60 sec
Isolationswiderstand	Insulation Resistance	IEC 512-2 Test 3 A	> 10 G0hm
IP-Schutzart	IP Degree of Protection	IEC 529	IP 67
Stiftdurchmesser	Pin Diameter		0,6 mm
Werkstoffe	Kontakte	Materials	Kupferlegierung / copper alloy
	Kontaktoberfläche		Au/Ni
	Kontaktträger		PUR
	Gehäuse (Umspritzung)		PUR
	Dichtung (O-Ring)		VITON
	Schiebehülse		Push Sleeve
Anschlussart		Termination	Crimp
Brennbarkeit	Kontaktträger	Flammfähigkeit	HB
	Gehäuse (Umspritzung)		HB
	Leitung / Kabel		UL 94 DIN EN265-2-1/UL1581-VW1-Page 95A
Mechanische Lebensdauer		Mechanical Operation	100 Steckzyklen/Mating Cycles
Temperaturbereich		Temperature Range	IEC 60668-1 -25°C / +90°C

SAP-Nummer	Engineering Nr.:	Umspritzungsfarbe	Länge
SAP-Number		Overmold Color	Length
1200835015	W0CS06P45M020	yellow	2M
1200835043	W0CS06P45M030	yellow	3M
1200835016	W0CS06P45M040	yellow	4M
1200835017	W0CS06P45M050	yellow	5M
1200835018	W0CS06P45M060	yellow	6M
1200835019	W0CS06P45M100	yellow	10M
1200835030	W0CS06P45M020G	black	2M
1200200005	W0CS06P45M030G	black	3M
1200835031	W0CS06P45M040G	black	4M
1200835032	W0CS06P45M050G	black	5M
1200835033	W0CS06P45M060G	black	6M
1200835034	W0CS06P45M100G	black	10M

Toleranzen Maß L: sichtbare Kabellänge bei M8, M12 und M12U	
von 0 bis 0.6 m:	±10 mm
über 0.6 bis 1 m:	+30 / -10 mm
über 1 bis 5 m:	±25 mm
über 5 bis 20 m:	±30 mm
über 20 m:	±50 mm

DESCRIPTION EC NO: WEU2009-0137 DRWN: LSTEMMLE 2008/07/25 CHKD: LS 2008/11/06 APPR: USAEUFFE 2008/11/26	QUALITY SYMBOLS ▽ = 0 ◻ = 0	GENERAL TOLERANCES (UNLESS SPECIFIED) <table border="1"> <tr> <th></th> <th>mm</th> <th>INCH</th> </tr> <tr> <td>4 PLACES</td> <td>±---</td> <td>±---</td> </tr> <tr> <td>3 PLACES</td> <td>±----</td> <td>±---</td> </tr> <tr> <td>2 PLACES</td> <td>±0.05</td> <td>±---</td> </tr> <tr> <td>1 PLACE</td> <td>±0.1</td> <td>±---</td> </tr> <tr> <td colspan="3">ANGULAR ± --- °</td> </tr> </table>		mm	INCH	4 PLACES	±---	±---	3 PLACES	±----	±---	2 PLACES	±0.05	±---	1 PLACE	±0.1	±---	ANGULAR ± --- °			DIMENSION STYLE ---- SCALE 2:1 DESIGN UNITS METRIC FIRST ANGLE PROJECTION	DRAWN BY LS DATE 2008/07/25 CHECKED BY US DATE 2008/11/06 APPROVED BY ---- DATE ----	MATERIAL NO. see table DOCUMENT NO. SD-W0CS06P45MXXX SHEET NO. 1 OF 1
		mm	INCH																				
	4 PLACES	±---	±---																				
	3 PLACES	±----	±---																				
2 PLACES	±0.05	±---																					
1 PLACE	±0.1	±---																					
ANGULAR ± --- °																							
DRAFT WHERE APPLICABLE MUST REMAIN WITHIN DIMENSIONS		MOLEX INCORPORATED		THIS DRAWING CONTAINS INFORMATION THAT IS PROPRIETARY TO MOLEX INCORPORATED AND SHOULD NOT BE USED WITHOUT WRITTEN PERMISSION																			

(...) Dim. for information
 (...) Informationsmaß