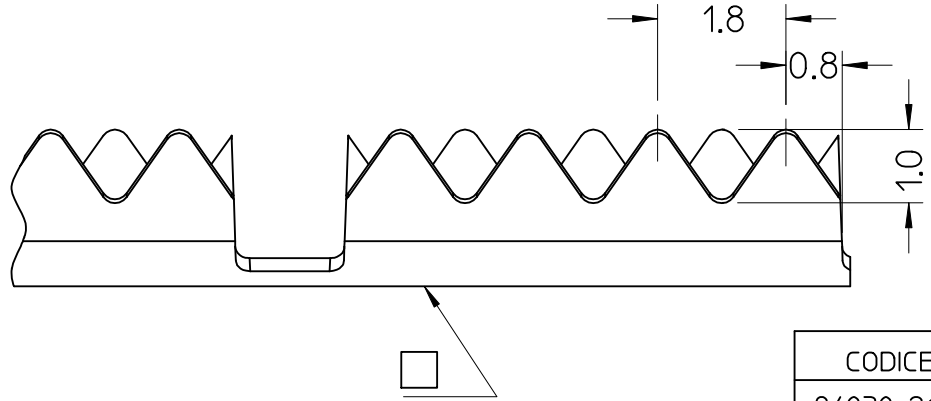
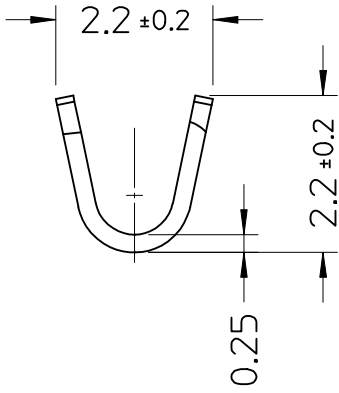
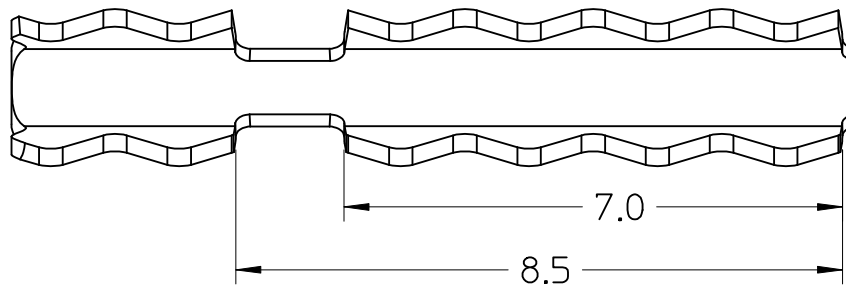


7 6 5 4 3 2 1



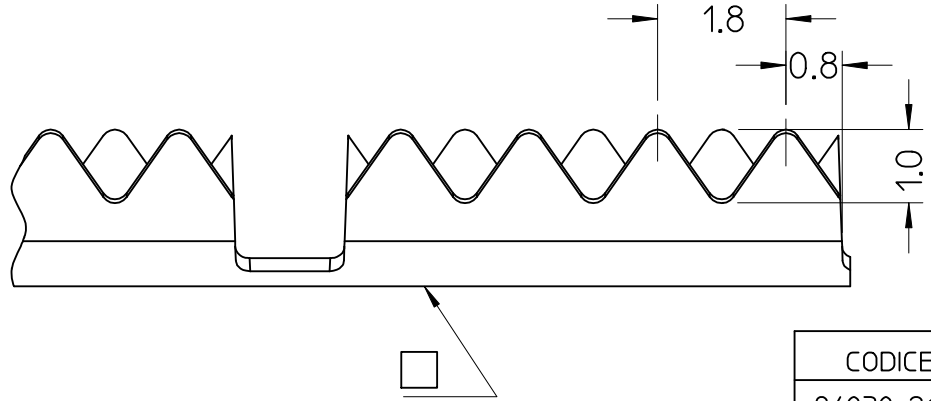
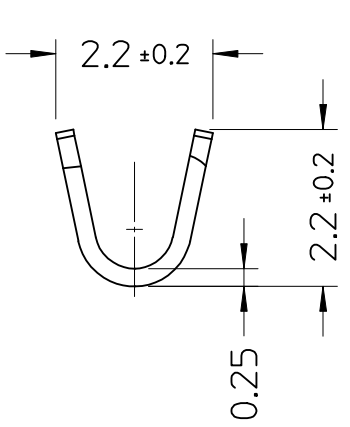
CODICE	MATERIALE	FINITURA
94030-2690	OTTONE	GREGGIO
94030-2691		STAGNATO



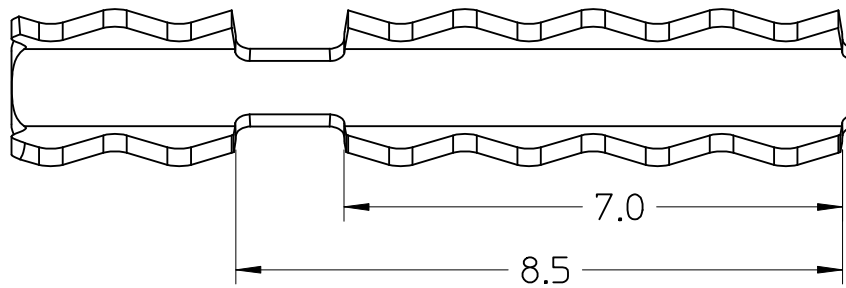
EC NO: Z2004-0016 DRWN: FGOTTARD 2003/07/31 CHKD: RSANDANO 2003/07/31 APPR: GZUIN 2003/08/01	DESCRIPTION REV	QUALITY SYMBOLS	GENERAL TOLERANCES (UNLESS SPECIFIED)		SCALE 10:1	DESIGN UNITS METRIC	FIRST ANGLE PROJECTION	REVISE ON CAD ONLY			
		0.1 0.05 0.025	mm		INCH		DIMENSION STYLE MM ONLY		TITLE		
			4 PLACES	± ---	± ---	DRAWN BY FGOTTARD		DATE 11/06/86		FASCETTA (SEZ. AGGRAFFATURA 0.8 MMQ)	
			3 PLACES	± ---	± ---	CHECKED BY		DATE			
2 PLACES	± ---	± ---	ANGULAR ± 3 °		APPROVED BY MPREVIAT		DATE 11/06/86				
1 PLACE	± 0.10	± ---	DRAFT WHERE APPLICABLE MUST REMAIN WITHIN DIMENSIONS		MATERIAL NO. vedi tabella		DOCUMENT NO. SD-94030-058		SHEET NO. 1 OF 1		
A2	REV			THIS DRAWING CONTAINS INFORMATION THAT IS PROPRIETARY TO MOLEX INCORPORATED AND SHOULD NOT BE USED WITHOUT WRITTEN PERMISSION				A4			

6 5 4 3 2 1

7 6 5 4 3 2 1



CODICE	MATERIALE	FINITURA
94030-2690	OTTONE	GREGGIO
94030-2691		STAGNATO



EC NO: Z2004-0016 DRWN: FGOTTARD 2003/07/31 CHKD: RSANDANO 2003/07/31 APPR: GZUIN 2003/08/01	DESCRIPTION REV	QUALITY SYMBOLS	GENERAL TOLERANCES (UNLESS SPECIFIED)		SCALE 10:1	DESIGN UNITS METRIC	FIRST ANGLE PROJECTION	REVISE ON CAD ONLY			
		 			DIMENSION STYLE MM ONLY		TITLE				
			4 PLACES	± ---	± ---	DRAWN BY FGOTTARD		FASCETTA (SEZ. AGGRAFFATURA 0.8 MMQ)			
			3 PLACES	± ---	± ---	DATE 11/06/86		MOLEX INCORPORATED			
2 PLACES	± ---	± ---	CHECKED BY		DATE		MATERIAL NO.				
1 PLACE	± 0.10	± ---	ANGULAR ± 3 °		DATE		DOCUMENT NO.				
DRAFT WHERE APPLICABLE MUST REMAIN WITHIN DIMENSIONS			APPROVED BY MPREVIAT		DATE 11/06/86		ved. tabella SD-94030-058		SHEET NO. 1 OF 1		
THIS DRAWING CONTAINS INFORMATION THAT IS PROPRIETARY TO MOLEX INCORPORATED AND SHOULD NOT BE USED WITHOUT WRITTEN PERMISSION											

6 5 4 3 2 1

A4