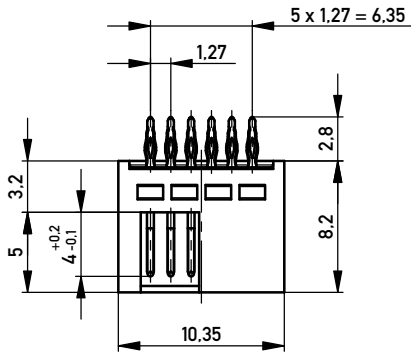
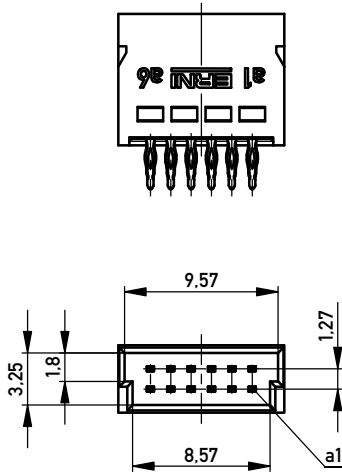
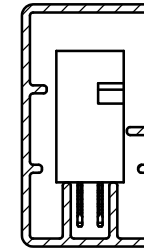
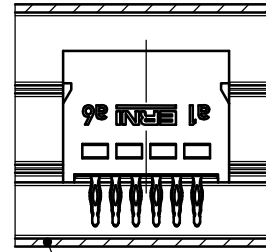
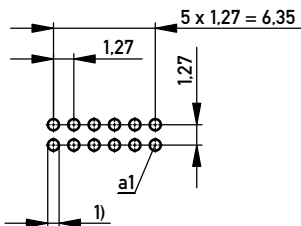


Verpackt in Stangenprofil - Tube Packaging

Verpackungseinheit: 65 Stück - Packaging unit: 65 pcs



Lochbild für Leiterplatte
Board hole pattern



Stangenprofil - Tube Packaging
044915

Anforderungsstufe 1
Performance Level 1

Kontaktbereich vergoldet
Mating Area gold plating

Anschlussbereich verzinkt 1-2 µm
Terminal Area 1-2 µm tin plating

1) Lochaufbau siehe ERNI-Spezifikation 164062 Nr. 1 hole design according to ERNI-specification 164062 No. 1

Information:	Tolerances	 All Dimensions in mm	Scale	3:1
	All rights reserved. Only for Information. To ensure that this is the latest version of this drawing, please contact one of the ERNI companies before using.		Subject to modification without prior notice. Drawing will not be updated.	Designation Messerrl. SMC-Q 12-EE-BA 3 <i>Male SMC-Q 12-EE-type 3</i>
e Index	02.07.2015 Date	www.ERNI.com	064002	
Class			SMCQ	

Copyright by ERNI GmbH
Proprietary notice pursuant to ISO 9006 to be observed.

I
A3