

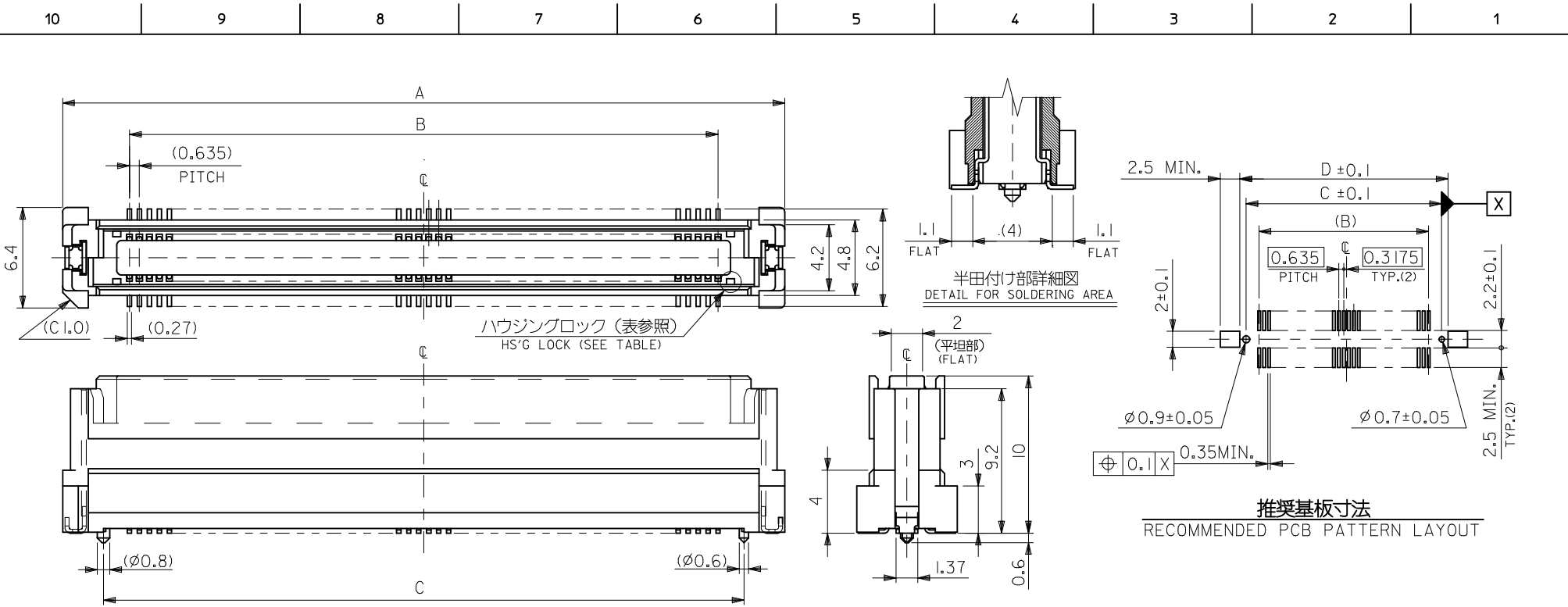
注) NOTES

- 材質 MATERIAL
ハウジング : ガラス入りLCP、白色、UL94V-0
HOUSING: G.F.LCP, WHITE, UL94V-0
ターミナル : 銅合金 (t=0.2)
TERMINAL: COPPER ALLOY
- メッキ仕様 PLATING
接点部 : 金メッキ 0.25 MICROMETER MIN.
CONTACT AREA: GOLD 0.25 MICROMETER MIN.
半田付け部 : 錫メッキ 1.0 MICROMETER MIN.
SOLDER TAIL AREA: TIN 1.0 MICROMETER MIN.
下地メッキ : ニッケルメッキ 2 MICROMETER MIN.
UNDER-PLATING: NICKEL 2 MICROMETER MIN.
- テールのバラツキ寸法 TAIL COPLANARITY
テール平坦度は 0.1 MAX. とする。
TAIL COPLANARITY TO BE 0.1 MAX.
- 本製品は 52837-***0 の鉛フリー品である。
THIS PRODUCT IS LEAD FREE OF 52837-***0.

16 mm	53553-***77
14 mm	53551-***77
13 mm	53481-***77
11 mm	53475-***70
基板間寸法 STACKING HEIGHT	嵌合相手 TO BE MATED WITH 52837-***70
	MODEL NO.

無し NO	61.42	59.82	56.515	65.02	---	52837-1879	52837-1870	180
	55.07	53.47	50.165	58.67	---	-1679	-1670	160
	48.72	47.12	43.815	52.32	---	-1479	-1470	140
	42.37	40.77	37.465	45.97	---	-1279	-1270	120
	32.85	31.25	27.94	36.45	---	---	-0970	90
	29.67	28.07	24.765	33.27	---	---	-0870	80
有り YES	26.5	24.9	21.59	30.1	---	---	-0770	70
	23.32	21.72	18.415	26.92	---	52837-0679	-0670	60
	20.15	18.55	15.24	23.75	52837-0578	---	-0570	50
	16.97	15.37	12.065	20.57	52837-0478	---	-0470	40
	10.62	9.02	5.715	14.22	---	---	52837-0270	20
ハウジングロック HSG LOCK	D	C	B	A	エンボス梱包 EMBOSSED PACKAGING	スティック梱包 STICK PACKAGING	製品番号 MATERIAL NO.	極数 CKT. NO.

REVISED EC NO: J2017-0575 DRWNGES CHKD: APPR: MSASAO 2017/05/16 2017/06/29	GENERAL TOLERANCES (UNLESS SPECIFIED)		DIMENSION STYLE MM ONLY		SCALE ---		DESIGN UNITS METRIC		THIRD ANGLE PROJECTION	
	0.25 UNDER	±	DRAWN BY	DATE	TITLE					
	0.25 OVER	±	M. NINOMIYA	2004/03/19	0.635 PITCH B-T0-B S/T REC. HSG ASSY -LEAD FREE-					
	0.5 OVER	±	CHECKED BY	DATE						
	10 OVER	±0.2	K. TOJO	2004/03/19						
30 OVER	±0.25	APPROVED BY	DATE	MATERIAL NO.		DOCUMENT NO.		SHEET NO.		
ANGULAR	±3 °	M. SASAO	2004/03/19	SEE CHART		SD-52837-002		1 OF 1		
DRAFT WHERE APPLICABLE MUST REMAIN WITHIN DIMENSIONS			SIZE A3	THIS DRAWING CONTAINS INFORMATION THAT IS PROPRIETARY TO MOLEX ELECTRONIC TECHNOLOGIES, LLC AND SHOULD NOT BE USED WITHOUT WRITTEN PERMISSION						



注) NOTES

- 材質 MATERIAL
ハウジング : ガラス入りLCP、白色、UL94V-0
HOUSING: G.F.LCP, WHITE, UL94V-0
ターミナル : 銅合金 (t=0.2)
TERMINAL: COPPER ALLOY
- メッキ仕様 PLATING
接点部 : 金メッキ 0.25 MICROMETER MIN.
CONTACT AREA: GOLD 0.25 MICROMETER MIN.
半田付け部 : 錫メッキ 1.0 MICROMETER MIN.
SOLDER TAIL AREA: TIN 1.0 MICROMETER MIN.
下地メッキ : ニッケルメッキ 2 MICROMETER MIN.
UNDER-PLATING: NICKEL 2 MICROMETER MIN.
- テールのバラツキ寸法 TAIL COPLANARITY
テール平坦度は 0.1 MAX. とする。
TAIL COPLANARITY TO BE 0.1 MAX.
- 本製品は 52837-***0 の鉛フリー品である。
THIS PRODUCT IS LEAD FREE OF 52837-***0.

16 mm	53553-***77
14 mm	53551-***77
13 mm	53481-***77
11 mm	53475-***70
基板間寸法 STACKING HEIGHT	嵌合相手 TO BE MATED WITH 52837-***70
	MODEL NO.

無し NO	61.42	59.82	56.515	65.02	---	52837-1879	52837-1870	180
	55.07	53.47	50.165	58.67	---	-1679	-1670	160
	48.72	47.12	43.815	52.32	---	-1479	-1470	140
	42.37	40.77	37.465	45.97	---	-1279	-1270	120
	32.85	31.25	27.94	36.45	---	---	-0970	90
	29.67	28.07	24.765	33.27	---	---	-0870	80
有り YES	26.5	24.9	21.59	30.1	---	---	-0770	70
	23.32	21.72	18.415	26.92	---	52837-0679	-0670	60
	20.15	18.55	15.24	23.75	52837-0578	---	-0570	50
	16.97	15.37	12.065	20.57	52837-0478	---	-0470	40
	10.62	9.02	5.715	14.22	---	---	52837-0270	20
ハウジングロック HSG LOCK	D	C	B	A	エンボス梱包 EMBOSSED PACKAGING	スティック梱包 STICK PACKAGING	製品番号 MATERIAL NO.	極数 CKT. NO.

REVISED EC NO: J2017-0575 DRWNGES CHKD: APPR: MSASAO	2017/05/16	2017/06/29	DESCRIPTION	GENERAL TOLERANCES (UNLESS SPECIFIED)	DIMENSION STYLE MM ONLY	SCALE ---	DESIGN UNITS METRIC	THIRD ANGLE PROJECTION
				0.25 UNDER ±	DRAWN BY DATE M. NINOMIYA 2004/03/19	TITLE 0.635 PITCH B-T0-B S/T REC. HSG ASSY -LEAD FREE-		
				0.25 OVER 0.5 UNDER ±	CHECKED BY DATE K. TOJO 2004/03/19			
				0.5 OVER 1.0 UNDER ±	APPROVED BY DATE M. SASAO 2004/03/19			
				10 OVER 30 UNDER ±0.25	MATERIAL NO. SEE CHART	DOCUMENT NO. SD-52837-002	SHEET NO. 1 OF 1	
			30 OVER ±0.3	ANGULAR ±3 °	THIS DRAWING CONTAINS INFORMATION THAT IS PROPRIETARY TO MOLEX ELECTRONIC TECHNOLOGIES, LLC AND SHOULD NOT BE USED WITHOUT WRITTEN PERMISSION			
				DRAFT WHERE APPLICABLE MUST REMAIN WITHIN DIMENSIONS	SIZE A3			

7

6

5

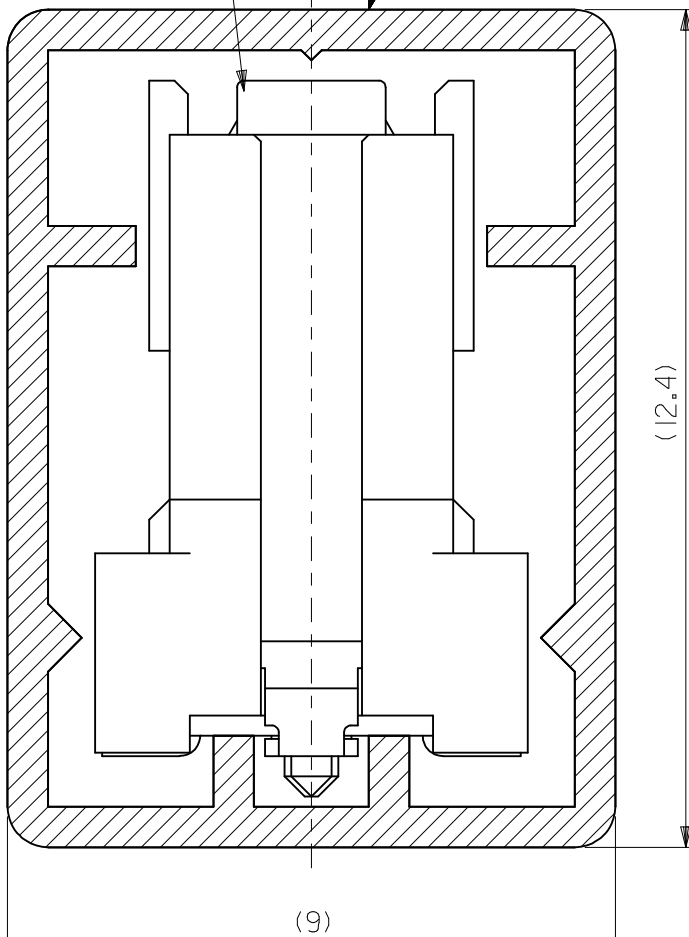
4

3

2

1

52837-**70

スティック
STICK

(12.4)

(9)

注)
NOTES.

1. スティック両端はキャップ止め。
BOTH ENDS WITH CAPS.
2. 全長: 600 ± 2
TOTAL LENGTH
3. 肉厚: 0.6 ± 0.2
THICKNESS
4. 本製品は 52837-***9
の鉛フリー品である。
THIS PRODUCT IS LEAD FREE OF
52837-***9.

8	52837-1879	180
9	52837-1679	160
10	52837-1479	140
12	52837-1279	120
21	52837-0679	60
梱包数 QUANTITY	MATERIAL NO.	極数 NO. OF CKT.

REVISED EC NO: J2017-0575 DRAWN:GES CHKD: APPR:MSASAO	DESCRIPTION 2017/05/16 2017/06/29	GENERAL TOLERANCES (UNLESS SPECIFIED)		DIMENSION STYLE MM ONLY		SCALE ---	DESIGN UNITS METRIC	THIRD ANGLE PROJECTION		
		0.25 UNDER	±	DRAWN BY N.NINOMIYA	DATE 2004/03/18	TITLE 52837-**70 STICK PACKAGING -LEAD FREE-				
A	REV	0.25 OVER	0.5 UNDER	±	CHECKED BY K.TOJO	DATE 2004/03/18	DOCUMENT NO. SD-52837-004			
		0.5 OVER	1.0 UNDER	±	APPROVED BY M.SASAO	DATE 2004/03/18				
		0 OVER	10 UNDER	±0.2	MATERIAL NO.					SHEET NO. 1 OF 1
		10 OVER	30 UNDER	±0.25	SEE CHART					
		30 OVER		±0.3	THIS DRAWING CONTAINS INFORMATION THAT IS PROPRIETARY TO MOLEX ELECTRONIC TECHNOLOGIES, LLC AND SHOULD NOT BE USED WITHOUT WRITTEN PERMISSION					
		ANGULAR		±3 °	DRAFT WHERE APPLICABLE MUST REMAIN WITHIN DIMENSIONS					

6

5

4

3

2

1

7

6

5

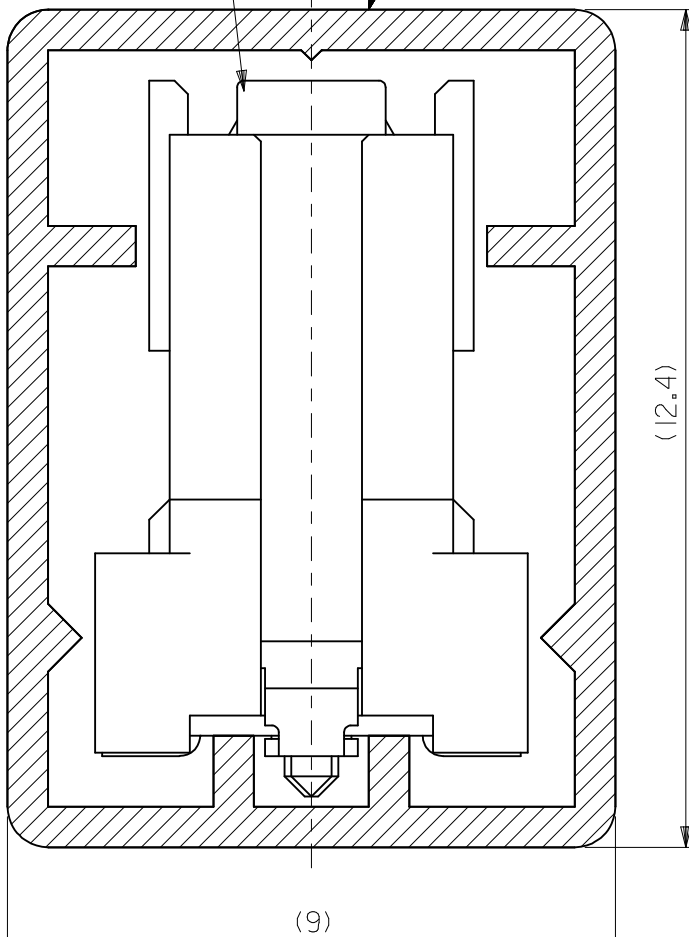
4

3

2

1

52837-**70

スティック
STICK

(12.4)

(9)

注)
NOTES.

- スティック両端はキャップ止め。
BOTH ENDS WITH CAPS.
- 全長: 6.00 ± 2
TOTAL LENGTH
- 肉厚: 0.6 ± 0.2
THICKNESS
- 本製品は 52837-***9
の鉛フリー品である。
THIS PRODUCT IS LEAD FREE OF
52837-***9.

8	52837-1879	180
9	52837-1679	160
10	52837-1479	140
12	52837-1279	120
21	52837-0679	60
梱包数 QUANTITY	MATERIAL NO.	極数 NO. OF CKT.

REVISED EC NO: J2017-0575 DRAWN:GES CHKD: APPR:MSASAO	DESCRIPTION 2017/05/16 2017/06/29	GENERAL TOLERANCES (UNLESS SPECIFIED)		DIMENSION STYLE MM ONLY		SCALE ---	DESIGN UNITS METRIC	THIRD ANGLE PROJECTION	
		0.25 UNDER	±	DRAWN BY N.NINOMIYA	DATE 2004/03/18	TITLE 52837-**70 STICK PACKAGING -LEAD FREE-			
A	REV	0.25 OVER	0.5 UNDER	±	CHECKED BY K.TOJO	DATE 2004/03/18	DOCUMENT NO. SD-52837-004		
		0.5 OVER	1.0 UNDER	±	APPROVED BY M.SASAO	DATE 2004/03/18			
		0 OVER	10 UNDER	±0.2	MATERIAL NO.		SHEET NO. 1 OF 1		
		10 OVER	30 UNDER	±0.25	SEE CHART		THIS DRAWING CONTAINS INFORMATION THAT IS PROPRIETARY TO MOLEX ELECTRONIC TECHNOLOGIES, LLC AND SHOULD NOT BE USED WITHOUT WRITTEN PERMISSION		
		30 OVER		±0.3					
		ANGULAR		±3 °					
		DRAFT WHERE APPLICABLE MUST REMAIN WITHIN DIMENSIONS							

6

5

4

3

2

1