

4

3

2

1

THIS DRAWING IS UNPUBLISHED.

RELEASED FOR PUBLICATION

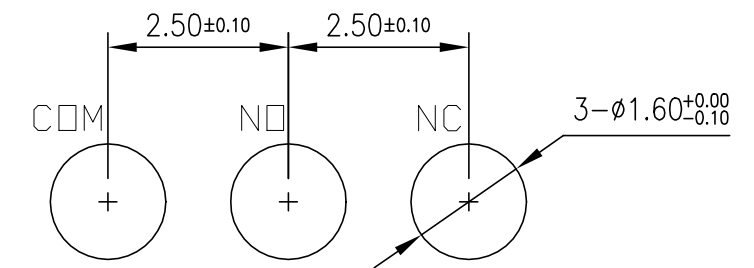
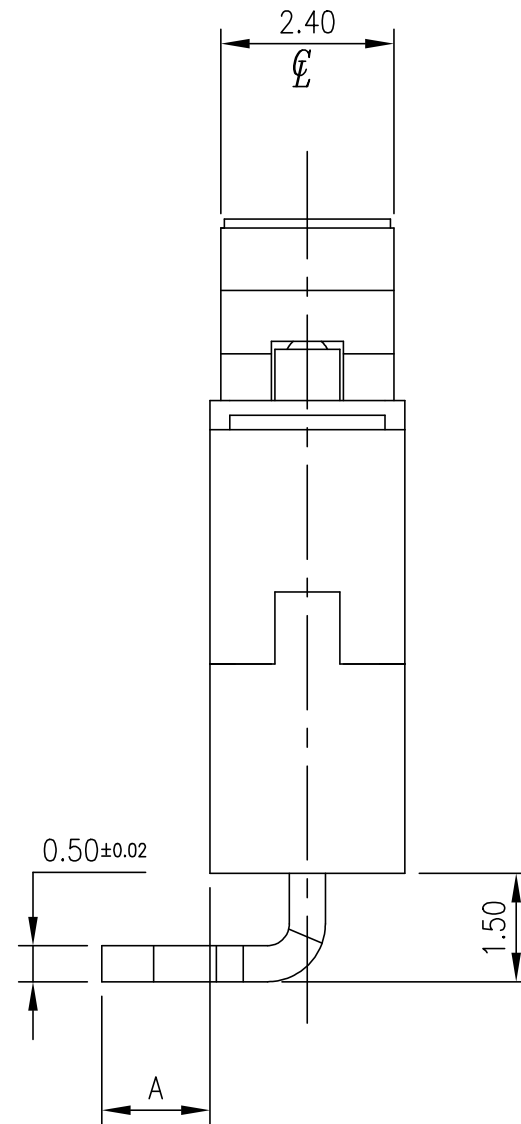
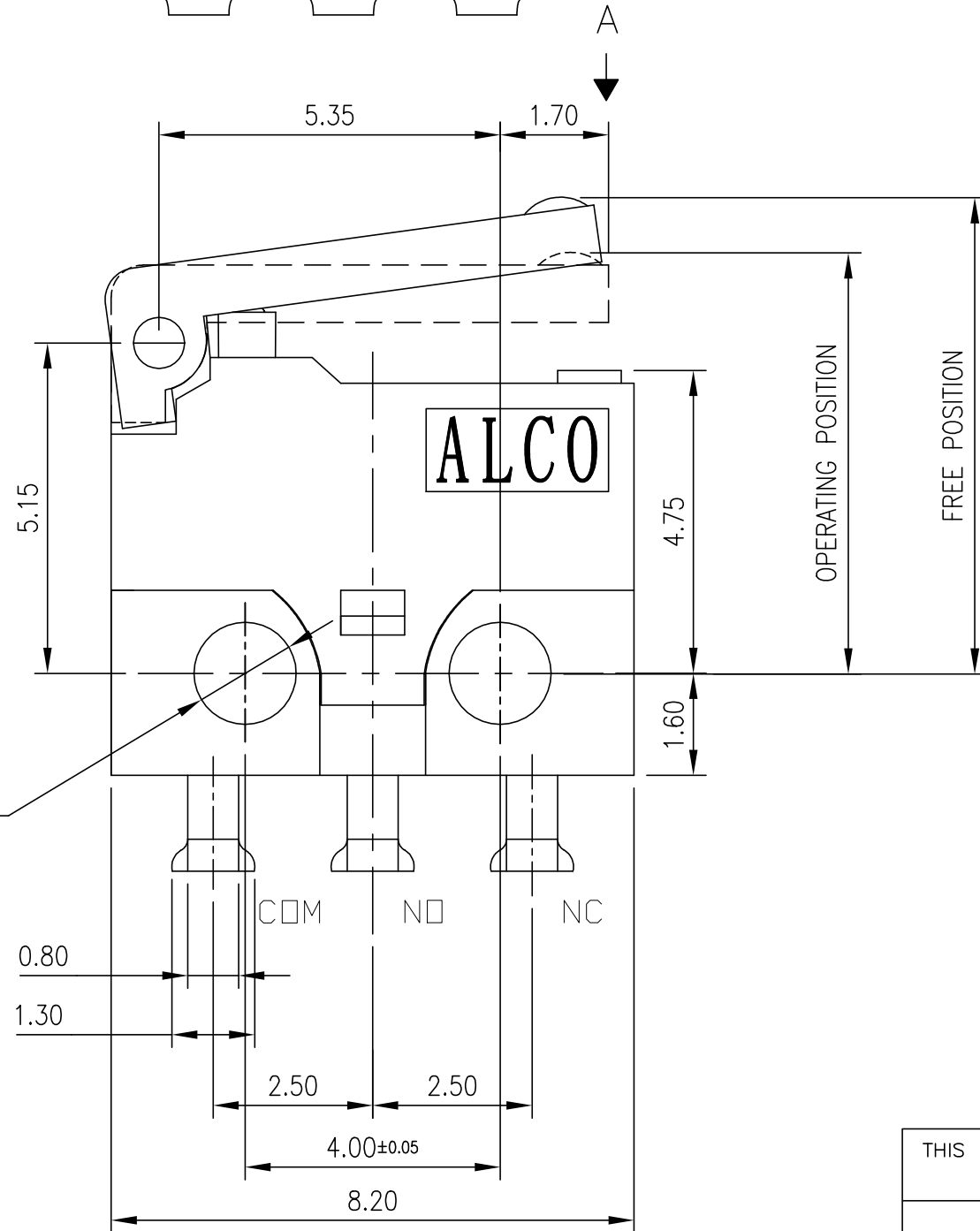
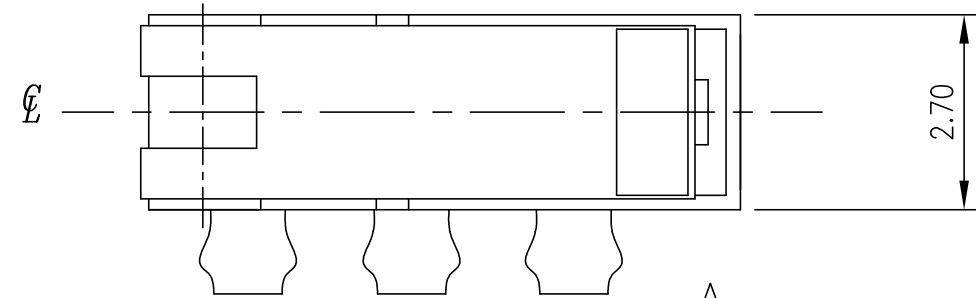
© COPYRIGHT - TE Connectivity Ltd.

ALL RIGHTS RESERVED.

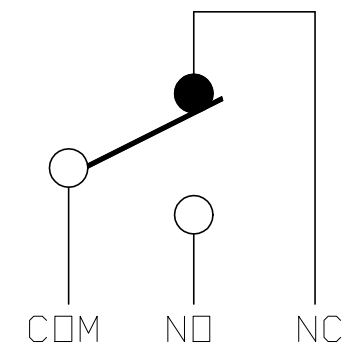
REVISIONS

P	LTR	DESCRIPTION	DATE	DWN	APVD
1		NEW DRAWING	13MAY2019	GCM	AS

APPLICABLE FOR TE P/N
2351462-1
2351462-4



P.C.B. LAYOUT

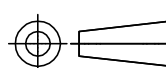


CIRCUIT DIAGRAM

PRELIMINARY

THIS DRAWING IS A CONTROLLED DOCUMENT.

DIMENSIONS:
mm



TOLERANCES UNLESS OTHERWISE SPECIFIED:

0 PLC	± -
1 PLC	± 0.15
2 PLC	± 0.15
3 PLC	± -
4 PLC	± -
ANGLES	± -
FINISH	-

MATERIAL

-

FINISH

-

DWN 13MAY2019

CHK GANESH C M

APVD 13MAY2019

ALEXANDER SHARPE

ALEXANDER SHARPE

PRODUCT SPEC

APPLICATION SPEC

WEIGHT -

CUSTOMER DRAWING



TE Connectivity Ltd.

NAME SWITCH, MINIATURE SNAP ACTION, HINGE LEVER, RIGHT ANGLE, LEFT, TERMINALS

SIZE	CAGE CODE	DRAWING NO	RESTRICTED TO
A3	00779	2351462	-

SCALE NTS SHEET 1 of 4 REV 1

4

3

2

1

THIS DRAWING IS UNPUBLISHED.

RELEASED FOR PUBLICATION

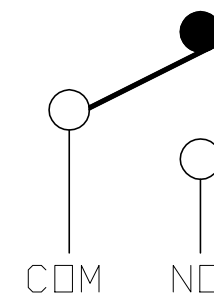
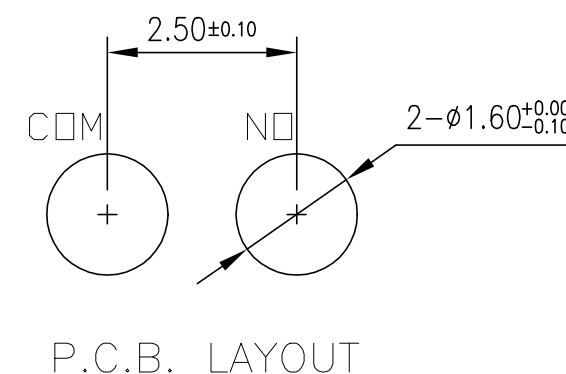
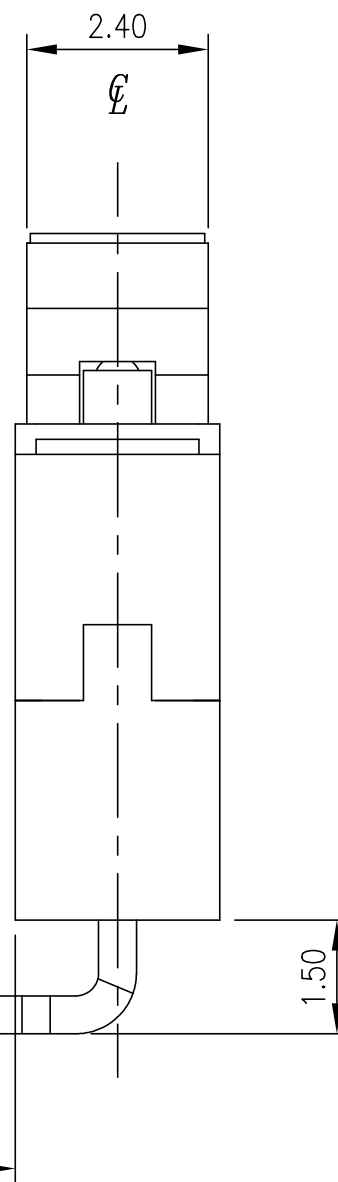
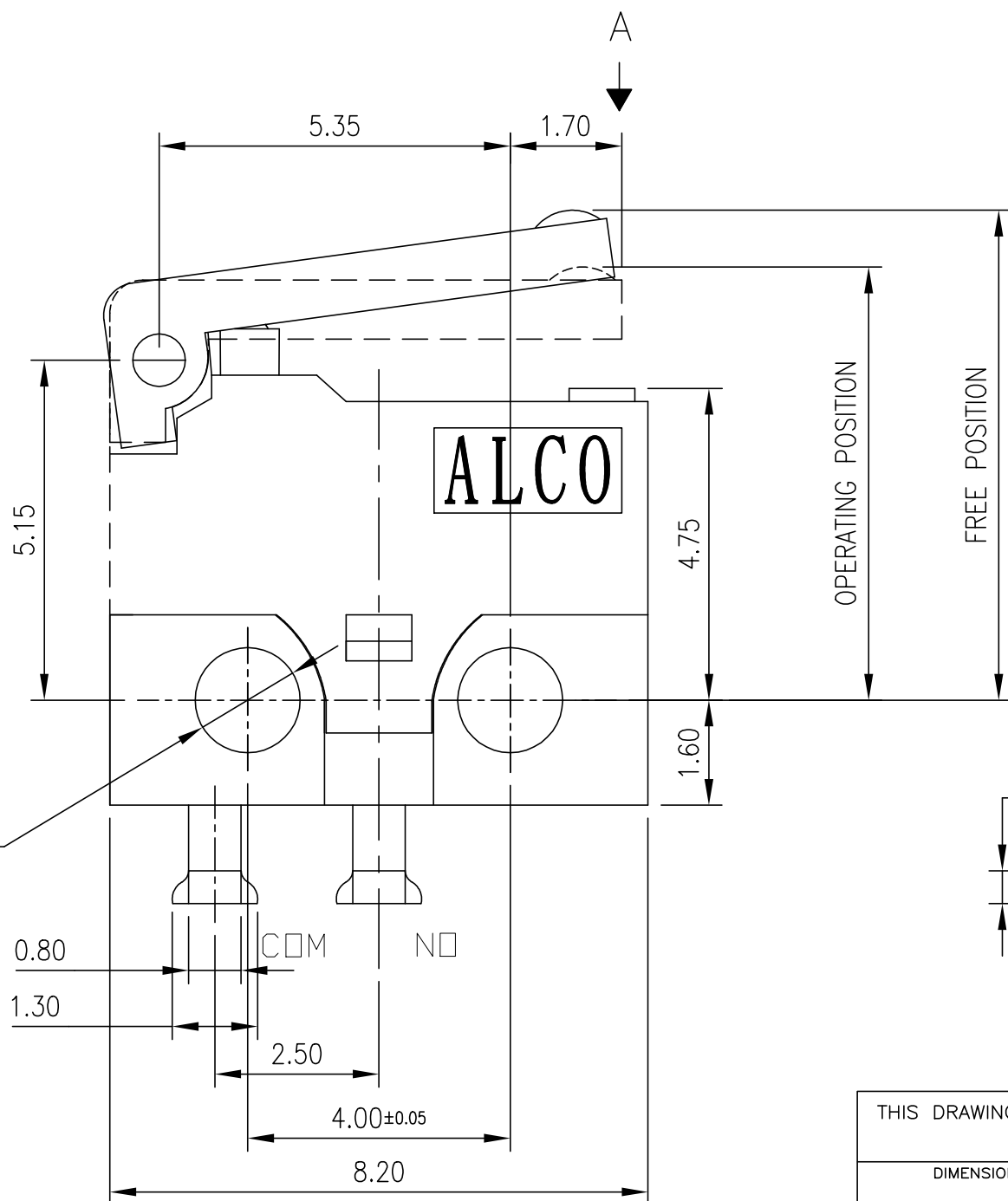
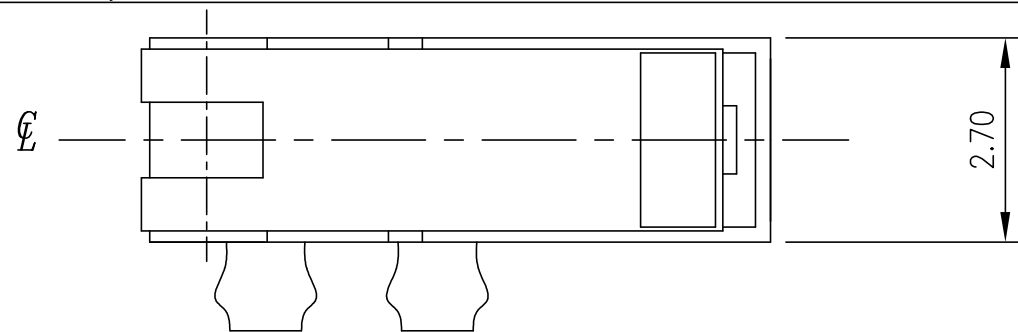
REVISIONS

© COPYRIGHT - TE Connectivity Ltd.

ALL RIGHTS RESERVED.

P	LTR	DESCRIPTION	DATE	DWN	APVD
-	-	SEE SHEET 1	-	-	-

APPLICABLE FOR TE P/N
2351462-3
2351462-6



CIRCUIT DIAGRAM

PRELIMINARY

THIS DRAWING IS A CONTROLLED DOCUMENT.		DWN	GANESH C M		13MAY2019
DIMENSIONS:		CHK	ALEXANDER SHARPE		13MAY2019
mm		APVD	ALEXANDER SHARPE		13MAY2019
TOLERANCES UNLESS OTHERWISE SPECIFIED:		PRODUCT SPEC			
0 PLC	± -	APPLICATION SPEC			
1 PLC	± 0.15	WEIGHT			
2 PLC	± 0.15	-			
3 PLC	± -	CUSTOMER DRAWING			
4 PLC	± -	SCALE NTS			
ANGLES	± -	SHEET 3 of 4			
FINISH	-	REV 1			
MATERIAL	-	NAME		SWITCH, MINIATURE SNAP ACTION, HINGE LEVER, RIGHT ANGLE, LEFT, TERMINALS	
		SIZE	CAGE CODE	DRAWING NO	RESTRICTED TO
		A3	00779	2351462	-

TE TE Connectivity Ltd.

THIS DRAWING IS UNPUBLISHED. RELEASED FOR PUBLICATION
 © COPYRIGHT - TE Connectivity Ltd. ALL RIGHTS RESERVED.

REVISIONS				
P	LTR	DESCRIPTION	DATE	APVD
-	-	SEE SHEET 1	-	-


NOTES:

- OPERATING CHARACTERISTICS ARE FOR OPERATION IN THE A DIRECTION ↓
- PACKAGING:
SWITCHES ARE BULK PACKAGED IN BAGS, 500 SWITCHES PER BAG, 2 BAGS PER BOX.
- COMPLIANCE:
THE CURRENT STATEMENT OF COMPLIANCE IS AVAILABLE AT TE.COM.
- MATERIAL AND FINISH:
COVER: THERMOPLASTIC, BLACK
BASE: THERMOPLASTIC, BLACK
BUTTON: THERMOPLASTIC, BLACK
CONTACT: SILVER ALLOY
TERMINAL: BRASS, SILVER PLATED
SPRING PLATE: COPPER ALLOY
LEVER: THERMOPLASTIC, BLACK
- SPECIFICATIONS:
CURRENT RATING: SEE TABLE
CONTACT RESISTANCE: 100mΩ MAXIMUM, INITIAL, AT FREE POSITION AND TOTAL TRAVEL POSITION
INSULATION RESISTANCE: 100MΩ MINIMUM, @ 100, V DC, 1 MINUTE, INITIAL.
DIELECTRIC WITHSTANDING VOLTAGE, BETWEEN TERMINALS OF THE SAME POLARITY: 250 V AC, 50 TO 60 Hz FOR 1 MINUTE
DIELECTRIC WITHSTANDING VOLTAGE, BETWEEN EACH TERMINAL AND GROUND: 250 V AC, 50 TO 60 Hz FOR 1 MINUTE
DIELECTRIC WITHSTANDING VOLTAGE, BETWEEN EACH TERMINAL AND NON-CURRENT CARRYING METAL PART :1500 V AC, 50 TO 60 Hz FOR 1 MINUTE
- SOLDER PROCESS:
MANUAL SOLDERING: 350°C, 3 SECONDS MAXIMUM, 30 TO 40 WATTS. PREVENT SOLDER AND FLUX CONTACTING THE SWITCH BODY.
DO NOT OPERATE THE SWITCH DURING THE FIRST MINUTE AFTER SOLDERING.
WAVE SOLDERING: 260°C, 5 SECONDS MAXIMUM. PREVENT SOLDER AND FLUX CONTACTING THE SWITCH BODY.
DO NOT OPERATE THE SWITCH DURING THE FIRST MINUTE AFTER SOLDERING.

CONTACT FINISH	CONTACT FORM	MECHANICAL LIFE	ELECTRICAL LIFE	STORAGE TEMPERATURE RANGE/HUMIDITY RANGE	OPERATING TEMPERATURE RANGE/HUMIDITY RANGE	MOVEMENT DIFFERENTIAL	OVERTRAVEL	PRETRAVEL	OPERATING POSITION	FREE POSITION	RELEASE FORCE	OPERATING FORCE	CONTACT RATING	CONTACT CONFIGURATION	DIMENSION A	TERMINAL TYPE	TE SMART PART NUMBER	PART NUMBER														
SILVER	SPST, NORMALLY OPEN	100,000 CYCLES, MINIMUM	50,000 CYCLES, MINIMUM	-40 TO +85°C/85% RELATIVE HUMIDITY MAXIMUM	-40 TO +85°C/60% RELATIVE HUMIDITY MAXIMUM	0.70 MAXIMUM	0.30 MINIMUM	1.80 MAXIMUM	6.7±0.5	8.0 MAXIMUM	3 gf MINIMUM	50 gf MAXIMUM	0.5A, 30VDC	MOMENTARY	3.10	RIGHT ANGLE, LEFT	SAJ405XHL0N30SNOLLQ	2351462-6														
	SPST, NORMALLY CLOSED																SAJ405XHL0N30SNCLLQ	2351462-5														
	SPDT																SAJ405XHL0N30SDTLLQ	2351462-4														
	SILVER														SPST, NORMALLY OPEN	100,000 CYCLES, MINIMUM	50,000 CYCLES, MINIMUM	-40 TO +85°C/85% RELATIVE HUMIDITY MAXIMUM	-40 TO +85°C/60% RELATIVE HUMIDITY MAXIMUM	0.70 MAXIMUM	0.30 MINIMUM	1.80 MAXIMUM	6.7±0.5	8.0 MAXIMUM	3 gf MINIMUM	50 gf MAXIMUM	0.5A, 30VDC	MOMENTARY	1.50	RIGHT ANGLE, LEFT	SAJ405XHL0N30SNOSLQ	2351462-3
															SPST, NORMALLY CLOSED																SAJ405XHL0N30SNCSLQ	2351462-2
															SPDT																SAJ405XHL0N30SDTSLQ	2351462-1

PRELIMINARY

THIS DRAWING IS A CONTROLLED DOCUMENT.

DWN	13MAY2019	 TE Connectivity Ltd.	NAME SWITCH, MINIATURE SNAP ACTION, HINGE LEVER, RIGHT ANGLE, LEFT, TERMINALS		
CHK	13MAY2019				
APVD	13MAY2019				
PRODUCT SPEC					
APPLICATION SPEC		SIZE	CAGE CODE	DRAWING NO	RESTRICTED TO
WEIGHT	-	A3	00779	2351462	-
CUSTOMER DRAWING	SCALE	SHEET	REV		
	NTS	4 of 4	1		