

Type PMA-DS-07-SOS

Panel Mount Fuse Holder

1/4" x 1 1/4" (6.3 x 32mm) Fuses

Driver / Screw



www.optifuse.com

(619) 593-5050

Electrical Rating: 20A, 250V AC

Fuse Style: 1/4" x 1 1/4" (6.3 x 33mm)

Material:

Frame and Cap: Nylon (UL flame: 94V-2)

Terminals: Nickel-plated brass

Cap: Slotted Driver type, Screw type

Mounting: by nut and washer

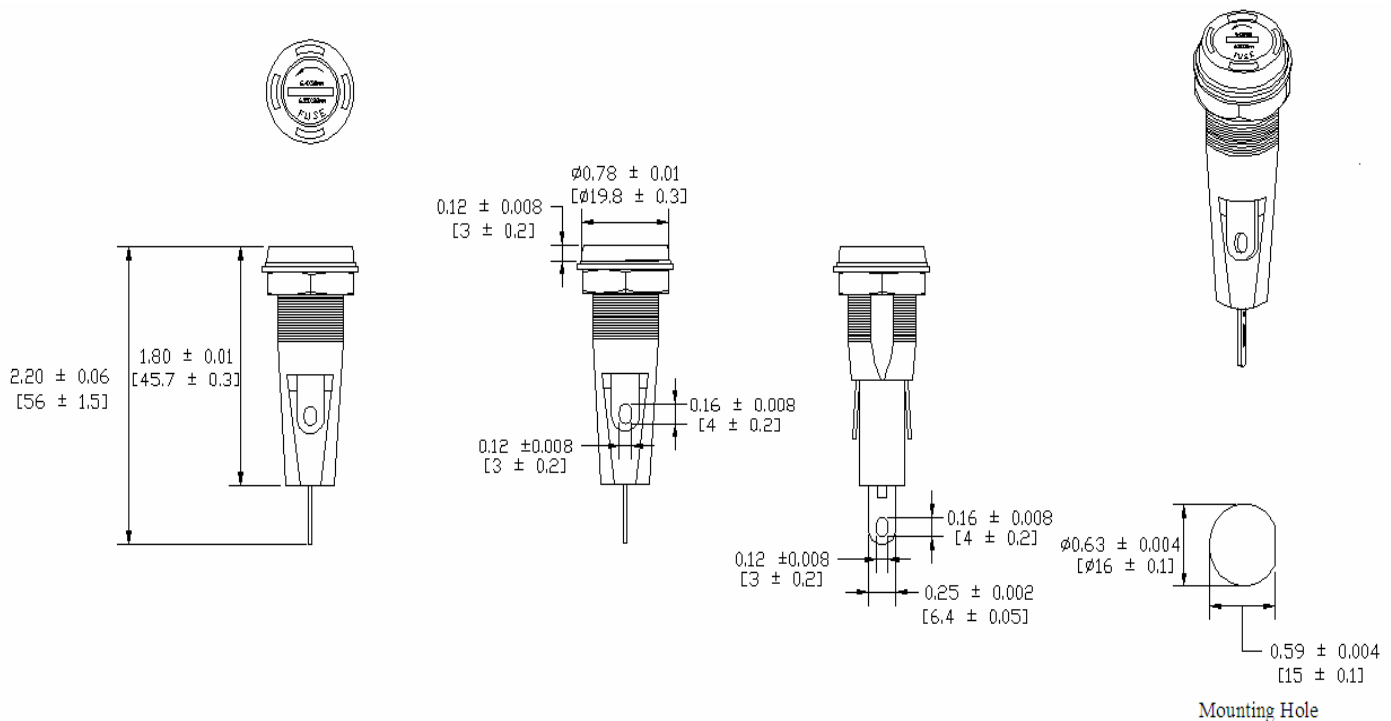
Terminal: Solder 6.4mm / 0.25"

Panel Thickness: 0.5 ~ 7mm

Agency Standards and Listings:



Product Dimensions: Inches [mm]



Warning:



- Operation beyond the specified maximum ratings or improper use may result in damage and possible electrical arcing and/or flame.
- Fuse Holders are not intended for circuit disconnect. All power should be disconnected before removing fuse.
- Avoid contact of Fuse Holder with chemical solvent. Prolonged contact may damage the device performance.