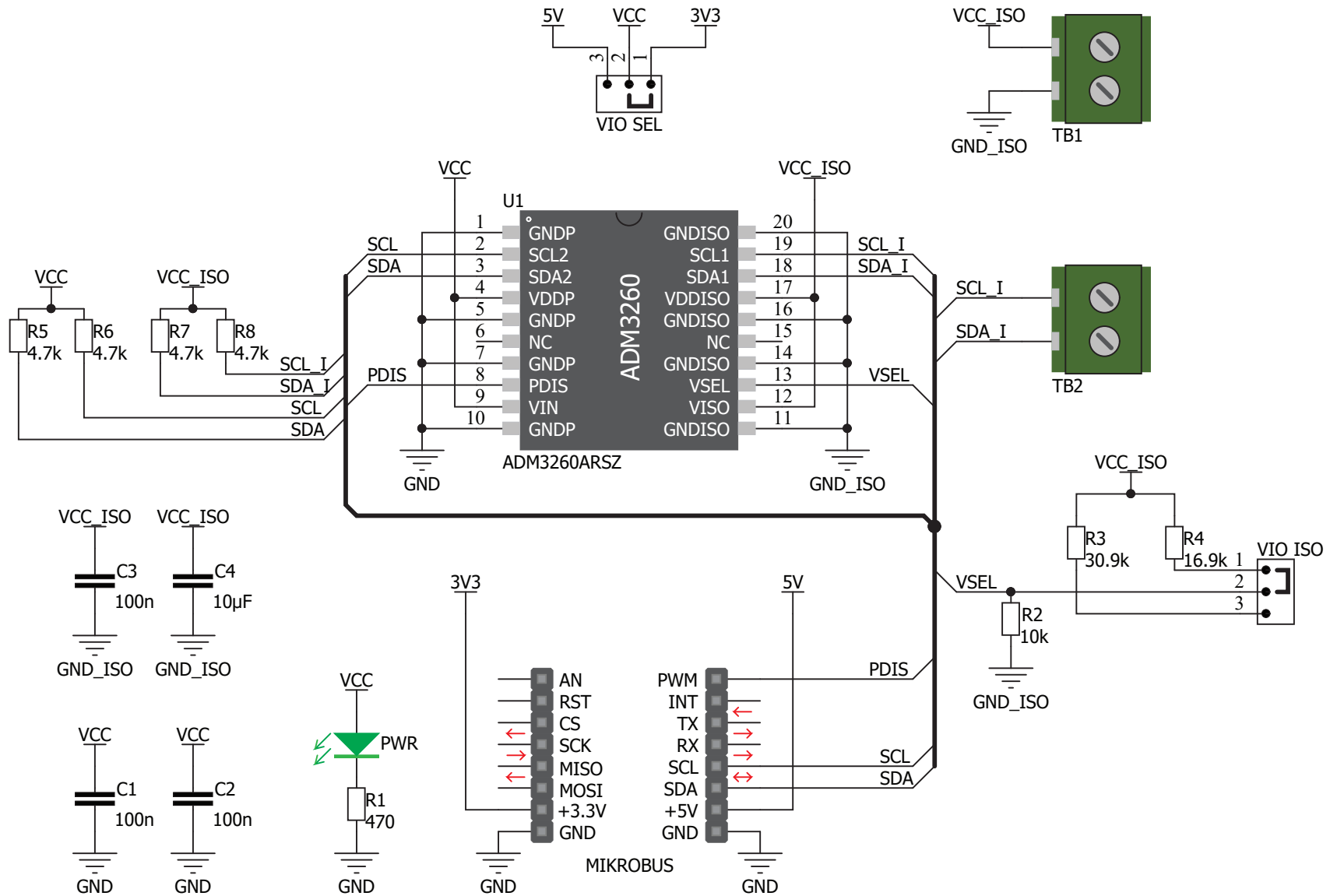


I2C Isolator 2 click schematic v100



www.mikroe.com