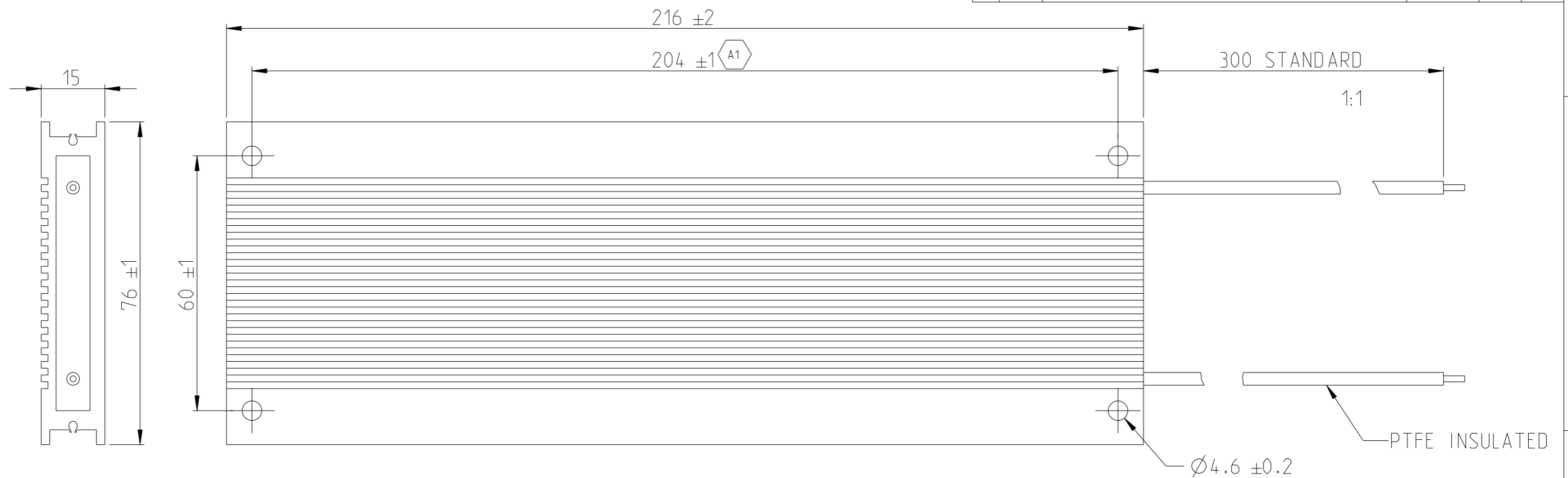


REVISIONS

P	LTR	DESCRIPTION	DATE	DWN	APVD
	A	INITIAL RELEASE	04MAR2020	SR	AP
	A1	MOUNTING HOLE PITCH TOLERANCE CHANGE	21SEP2022	DM	AP




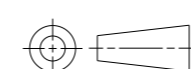
NOTE 1: FOR FURTHER INFORMATION PLEASE SEE DATASHEET FOR ALUMINIUM HOUSED BRAKING RESISTOR - TYPE HCF SERIES

THIS DRAWING IS A CONTROLLED DOCUMENT.		DWN SUPREETH R 04MAR2020														
DIMENSIONS: mm		CHK A. PILE 04MAR2020														
TOLERANCES UNLESS OTHERWISE SPECIFIED:		APVD A. PILE 04MAR2020	NAME ALUMINIUM HOUSED BRAKING RESISTOR -TYPE HCF216													
<table border="1"> <tr><td>0 PLC</td><td>±</td></tr> <tr><td>1 PLC</td><td>±</td></tr> <tr><td>2 PLC</td><td>±</td></tr> <tr><td>3 PLC</td><td>±</td></tr> <tr><td>4 PLC</td><td>±</td></tr> <tr><td>ANGLES</td><td>±</td></tr> </table>		0 PLC	±	1 PLC	±	2 PLC	±	3 PLC	±	4 PLC	±	ANGLES	±	PRODUCT SPEC -	SIZE A3 CAGE CODE 00779 DRAWING NO C=2176445 RESTRICTED TO -	
0 PLC	±															
1 PLC	±															
2 PLC	±															
3 PLC	±															
4 PLC	±															
ANGLES	±															
MATERIAL -		APPLICATION SPEC -	SCALE 1:1 SHEET 1 OF 2 REV A1													
FINISH -		WEIGHT -	CUSTOMER DRAWING													

REVISIONS

P	LTR	DESCRIPTION	DATE	DWN	APVD
-		SEE SHEET 1	-	-	-

SCHEDULE			
TCPN	CATALOGUE NUMBER	PART DESCRIPTION	PART STATUS
2176445-1	HCF216J10RJ	HCF216 200W 10R 5% LEAD	PRODUCTION
2176445-2	HCF216J22RJ	HCF216 200W 22R 5% LEAD	PRODUCTION
2176445-3	HCF216J33RJ	HCF216 200W 33R 5% LEAD	PRODUCTION
2176445-4	HCF216J47RJ	HCF216 200W 47R 5% LEAD	PRODUCTION
2176445-5	HCF216J68RJ	HCF216 200W 68R 5% LEAD	PRODUCTION
2176445-6	HCF216J100RJ	HCF216 200W 100R 5% LEAD	PRODUCTION
2176445-7	HCF216J150RJ	HCF216 200W 150R 5% LEAD	PRODUCTION
2176445-8	HCF216J220RJ	HCF216 200W 220R 5% LEAD	PRODUCTION
2176445-9	HCF216J330RJ	HCF216 200W 330R 5% LEAD	PRODUCTION
1-2176445-0	HCF216J470RJ	HCF216 200W 470R 5% LEAD	PRODUCTION
1-2176445-1	HCF216J680RJ	HCF216 200W 680R 5% LEAD	PRODUCTION
1-2176445-2	HCF216J1K0J	HCF216 200W 1K0 5% LEAD	PRODUCTION

THIS DRAWING IS A CONTROLLED DOCUMENT.		DWN SUPREETH R 04MAR2020			
		CHK A. PILE 04MAR2020			
DIMENSIONS: mm 		APVD A. PILE 04MAR2020	NAME ALUMINIUM HOUSED BRAKING RESISTOR -TYPE HCF216		
TOLERANCES UNLESS OTHERWISE SPECIFIED: 0 PLC ± 1 PLC ± 2 PLC ± 3 PLC ± 4 PLC ± ANGLES ±		PRODUCT SPEC -	RESTRICTED TO -		
MATERIAL -		APPLICATION SPEC -	SIZE A3	CAGE CODE 00779	DRAWING NO C=2176445
FINISH -		WEIGHT -	SCALE 1:1 SHEET 2 OF 2 REV A1		
		CUSTOMER DRAWING			