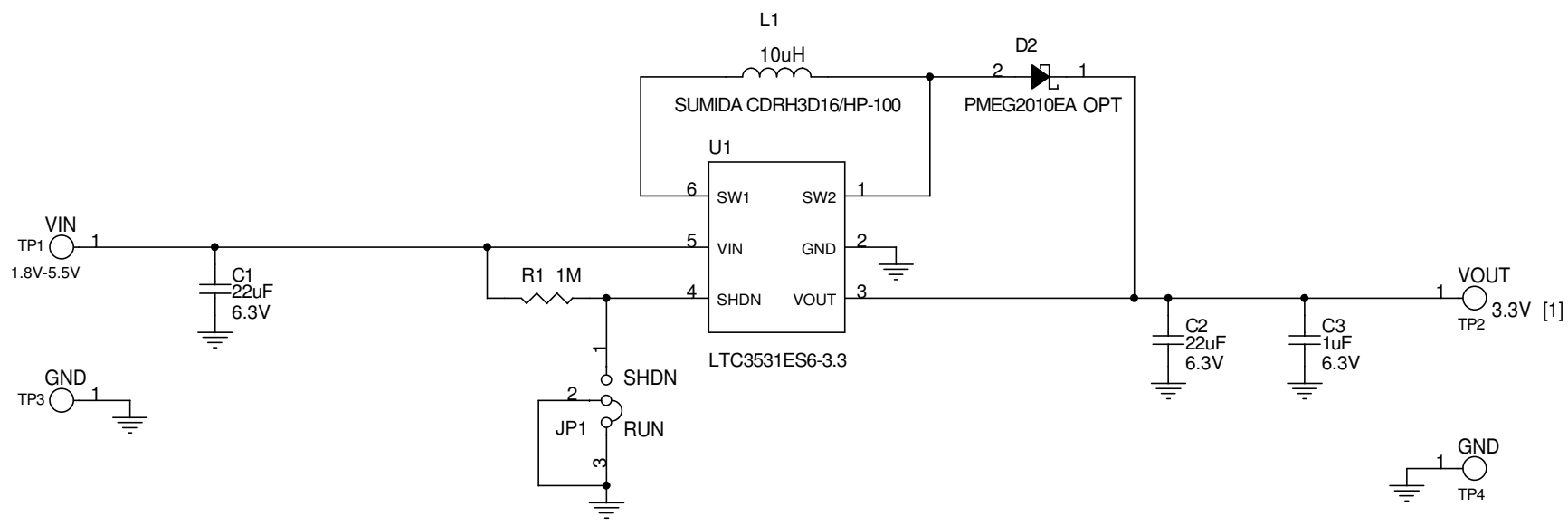



REVISION HISTORY				
ECO	REV	DESCRIPTION	DATE	APPROVED
	2	PROTO	08/15/05	



[1]

IOUT (MAX) (mA)	VIN (Volts)
90	1.8
150	2.5
200	2.9

CONTRACT NO.		 1630 McCarthy Blvd. Milpitas, CA 95035 Phone: (408)432-1900 Fax: (408)434-0507			
APPROVALS	DATE				
DRAWN MEI	01/11/05	TITLE SCH, LTC3531ES6-3.3, BUCK-BOOST REGULATOR			
CHECKED					
APPROVED					
ENGINEER					
DESIGNER		SIZE	CAGE CODE	DWG NO	REV
		A		DC877A	2
Thursday, August 18, 2005		SCALE:NONE	FILENAME: 877A-2.DSN	SHEET 1	OF 1