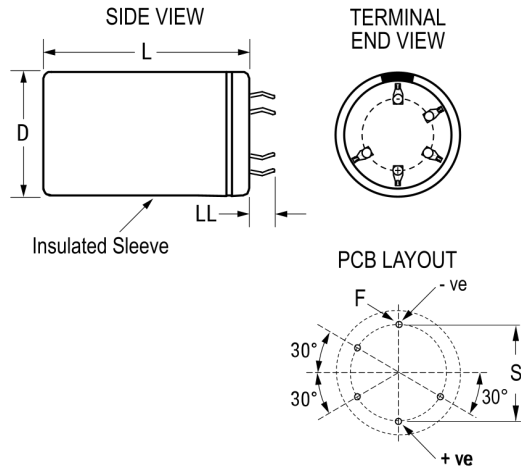


## ALC70H222KP500

Aliases (A546KW222M500H)

ALC70, Aluminum Electrolytic, 2,200 uF, 20%, 500 VDC, -40/+85°C



Click [here](#) for the 3D model.

Dimensions	
D	50mm +1mm
L	105mm +/-2mm
S	25mm +/-0.1mm
LL	4mm +/-1mm
F	2mm +/-0.1mm

Packaging Specifications	
Sleaving	Yes
Packaging	Bulk, Bag

General Information	
Series	ALC70
Dielectric	Aluminum Electrolytic
Description	Snap-In, Aluminum Electrolytic
RoHS	Yes
Lead	5 Pin Short
AEC-Q200	No
Halogen Free	Yes
Component Weight	310 g
Notes	Dimensions D And L Include Sleaving.
Shelf Life	156 Weeks

Specifications	
Capacitance	2,200 uF
Capacitance Tolerance	20%
Voltage DC	500 VDC, 550 VDC (Surge)
Temperature Range	-40/+85°C
Rated Temperature	85°C
Life	18000 Hrs (Rated Voltage and Ripple Current at 85C), 29000 Hrs (Rated Voltage at 85C)
Resistance	107.9 mOhms (100Hz 20C), 80.92 mOhms (10kHz 20C)
Ripple Current	7.526 Amps (100Hz 85C), 13.2 Amps (10kHz 85C)
Leakage Current	6000 uA (5min 20°C)