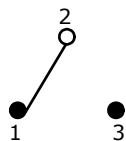


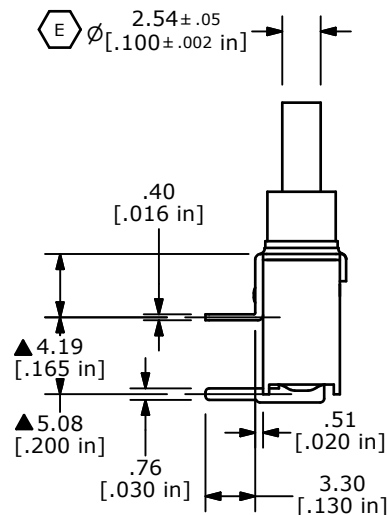
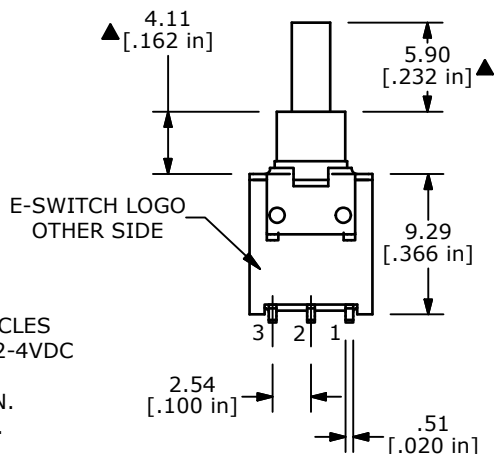
ISOMETRIC

SWITCH FUNCTION	
POS. 1	POS. 2
ON	(ON)
2-1	2-3

(ON)=MOMENTARY



CIRCUIT



- NOTE:
1. ALL DIMENSIONS IN MM [INCH]
 2. GENERAL TOLERANCE: X.X=±0.4
X.XX=±0.25
 3. TERMINAL NUMBERS FOR REF ONLY
 4. CONTACT MATERIAL: COPPER ALLOY W/ GOLD PLATE OVER NICKEL PLATE
 5. RATING: 0.4VA @ 20V AC OR DC MAX.
 6. MECHANICAL LIFE: 50,000 MAKE-AND-BREAK CYCLES
 7. CONTACT RESISTANCE: 20 mΩ MAX. INITIAL @ 2-4VDC 100mA FOR BOTH GOLD AND SILVER CONTACTS
 8. INSULATION RESISTANCE: 1,000 MEGA-OHM MIN.
 9. ELECTRIC STRENGTH: 1,000 V RMS @SEA LEVEL.
 10. PERATING TEMP.: -30°C to 85°C
 11. ▲ DENOTES CRITICAL PARAMETER.
 12. 2002/95/EC (ROHS) COMPLIANT



D	20053	UPDATE DRAWING	07/11/11	BMA
C	14943	ADDED TERM NUMBERS, NOTES	11/29/06	TN
REV	PCR NO	DESCRIPTION	DATE	BY

TITLE 800AWSP8M6RE				
SCALE 2:1	DATE 11/19/2006	DR MM	DWG T833027	REV D

THE INFORMATION CONTAINED IN THIS DOCUMENT IS PROPRIETARY TO E-SWITCH AND IS NOT TO BE COPIED OR TRANSFERRED