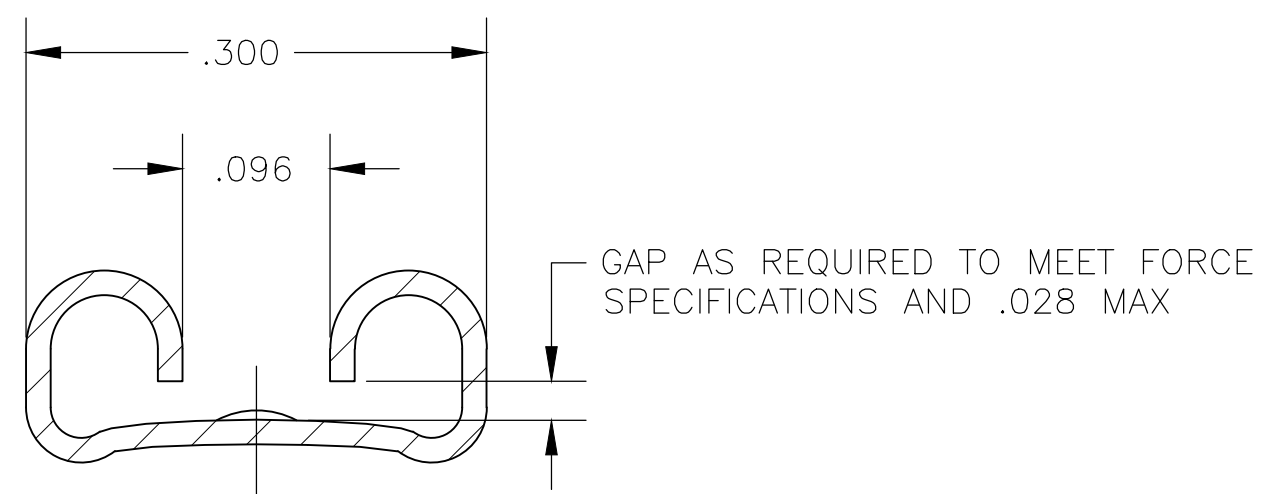
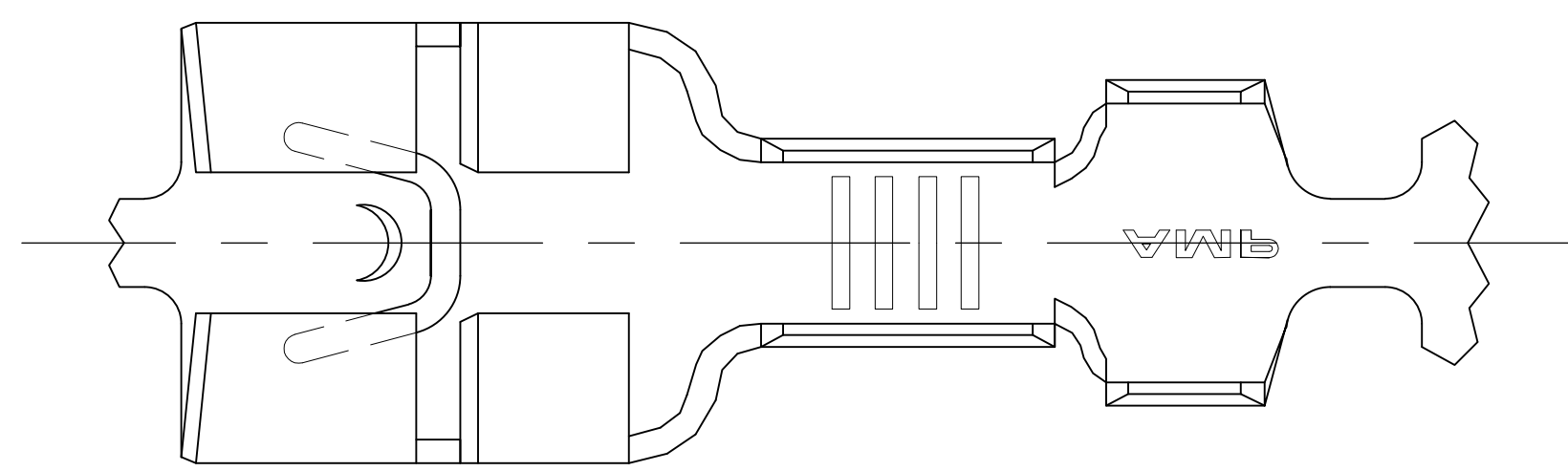


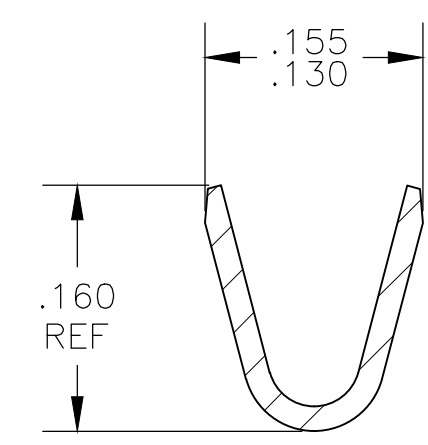
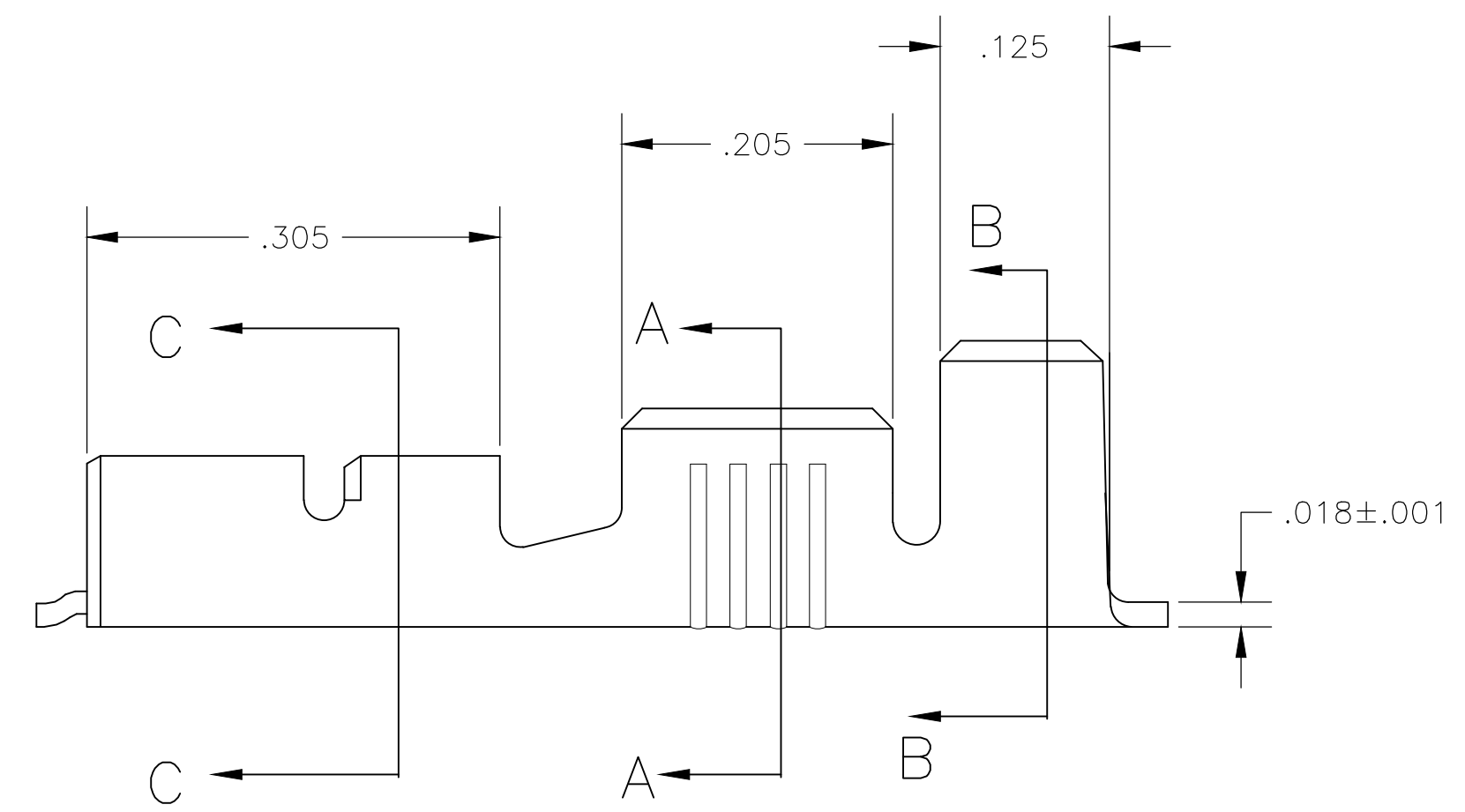
THIS DRAWING IS UNPUBLISHED. RELEASED FOR PUBLICATION
 © COPYRIGHT - By - ALL RIGHTS RESERVED.

LOC		DIST		REVISIONS			
P	LTR	DESCRIPTION		DATE	DWN	APVD	
AF	50	G1	REVISED PER ECR-20-009164		3AUG2020	MK	DH

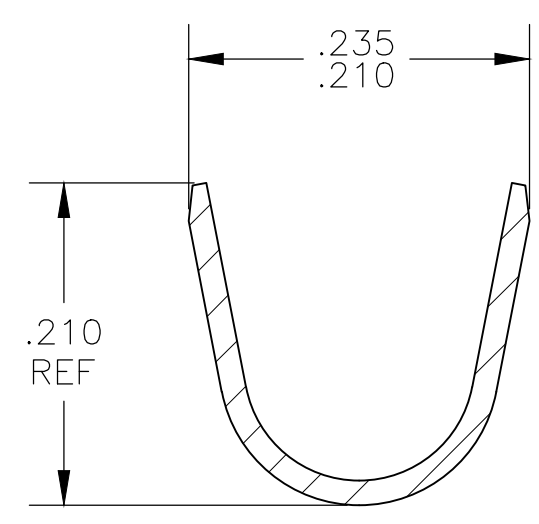
- 1 CONTINUOUS STRIP ON REELS
- 2 ACCEPTS #18-#14 AWG WIRE SIZE
CRIMP WIDTH, .120, F TYPE
- 3 INSULATION RANGE IS .120-.170 DIA
CRIMP WIDTH, .180, F OR O TYPE
- 4 MATING TAB THK IS .033-.030.



SECTION C-C



SECTION A-A



SECTION B-B

TIN	63537-2
-	63537-1
FINISH	PART NO

THIS DRAWING IS A CONTROLLED DOCUMENT.		DWN	JR RUTH	21JUN02	 TE Connectivity	NAME		RECEPTACLE, FASTON, .250 SERIES		
DIMENSIONS: INCHES		CHK	P DESANTIS	21JUN02		PRODUCT SPEC		SIZE	CAGE CODE	DRAWING NO
		APVD	P DESANTIS	21JUN02		APPLICATION SPEC		A2	00779	C-63537
TOLERANCES UNLESS OTHERWISE SPECIFIED: 0 PLC ± - 1 PLC ± - 2 PLC ± - 3 PLC ± .010 4 PLC ± - ANGLES ± -		MATERIAL	BRASS	FINISH		SEE TABLE	WEIGHT	-	SCALE	8:1
		CUSTOMER DRAWING		SHEET	1 of 1	REV	G1			