

4

3

2

1

THIS DRAWING IS UNPUBLISHED.

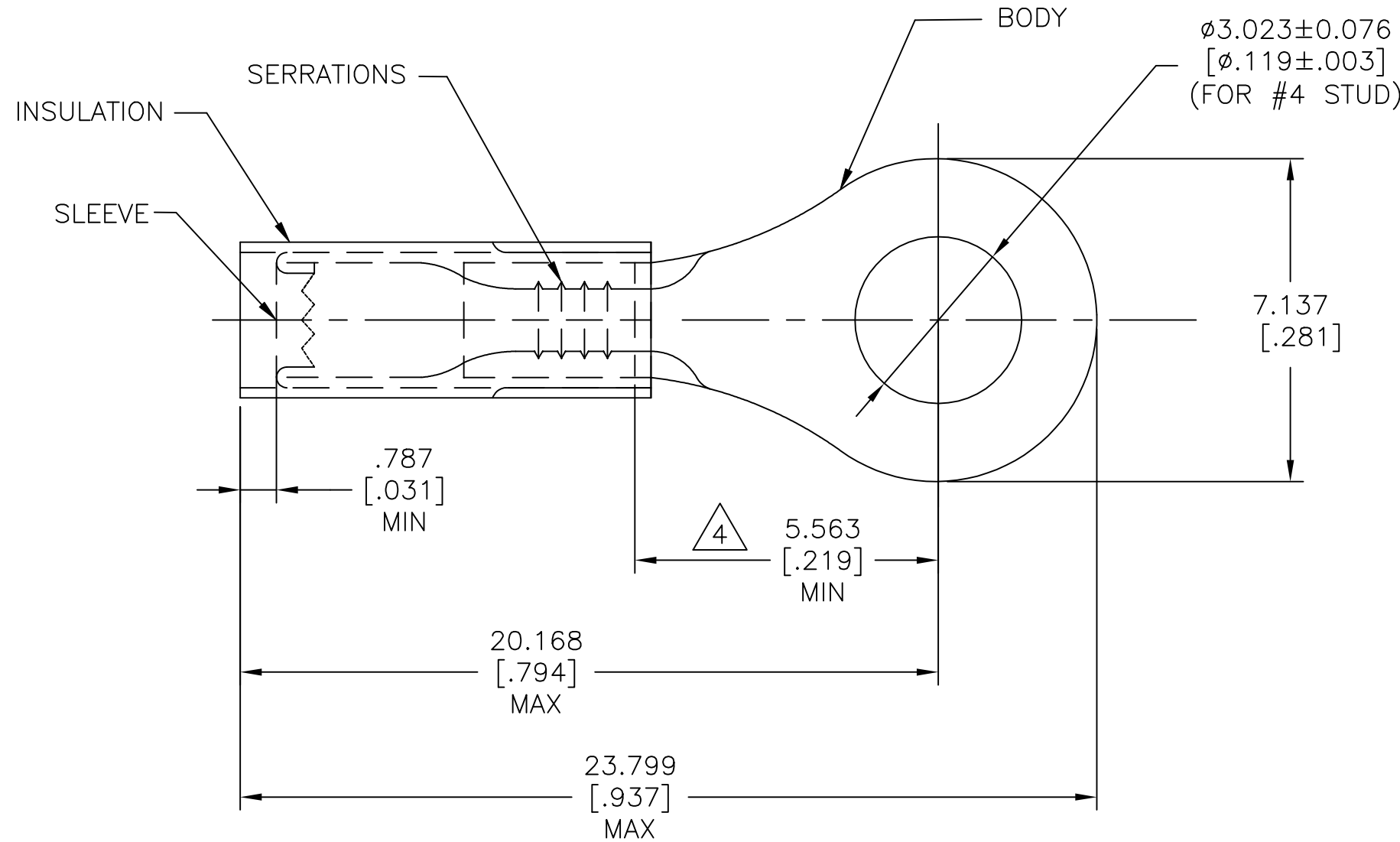
RELEASED FOR PUBLICATION

ALL RIGHTS RESERVED.

© COPYRIGHT - By -

REVISIONS

P	LTR	DESCRIPTION	DATE	DWN	APVD
F3		REVISED PER ECO-15-016493	26NOV2015	NK	DR
F4		REVISED PER ECO-17-016703	28MAR2018	RS	DR



1 BODY: COPPER ASTM B152  
NICKEL PL SAE AMS QQ-N-290  
0.0076 [.0003] AVG. EXT. THK  
SLEEVE: COPPER ASTM B152  
NICKEL PL SAE AMS QQ-N-290  
0.00076 [.00003] AVG EXT. THK



2 FOR 2.591 [.102] TO 5.436 [.214]  
WIRE INSULATION DIA.



3 BODY MATERIAL THK: 0.991  $\pm$  0.051 [.039  $\pm$  .002]



4 DIMENSION APPLIES FROM EDGE OF  
METAL WIRE BARREL TO CENTER OF  
STUD HOLE

1000	LOOSE PIECE	50844	PTFE (ASTM D3295) COLOR: BLACK
QTY	PACKAGE TYPE	PART NO.	INSULATION MATERIAL

AMP INCORPORATED CUSTOMER SERVICE SYSTEMS		MAX RECOMMENDED OPERATING TEMPERATURE: 288°C [550°F]
FOR ADDITIONAL PRODUCT INFORMATION OR COPIES OF DRAWINGS AND TECHNICAL DOCUMENTS	PRODUCT INFORMATION CENTER 1-800-522-6752	VOLTAGE RATING: 300V MAX
FOR APPLICATION TOOLING INFORMATION	TOOLING ASSISTANCE CENTER 1-800-722-1111	CIRCULAR MIL AREA: 2.62-6.64mm <sup>2</sup> [5,180-13,100] STRANDED WIRE ONLY
FOR ORDER ENTRY	1-800-526-5142	

THIS DRAWING IS A CONTROLLED DOCUMENT.	
DIMENSIONS: mm [INCHES]	TOLERANCES UNLESS OTHERWISE SPECIFIED:
	0 PLC ± - 1 PLC ± - 2 PLC ± - 3 PLC ± 0.127 [.005] 4 PLC ± - ± 5° ANGLES ± 5°
MATERIAL 	FINISH 
SEE TABLE	SEE TABLE

DWN NAGALAKSHMI K 13OCT2015	TE Connectivity Ltd.	
CHK MERCURIO MAURIZIO 13OCT2015	NAME WIRE TERMINAL PIDG, STRATO-THERM, RING TONGUE WIRE SIZE: 12-10 AWG	
APVD MERCURIO MAURIZIO 13OCT2015	PRODUCT SPEC	RESTRICTED TO
APPLICATION SPEC	SIZE A3	CAGE CODE 00779
WEIGHT	DRAWING NO 50844	REV F4
CUSTOMER DRAWING	SCALE NTS	SHEET 1 OF 1