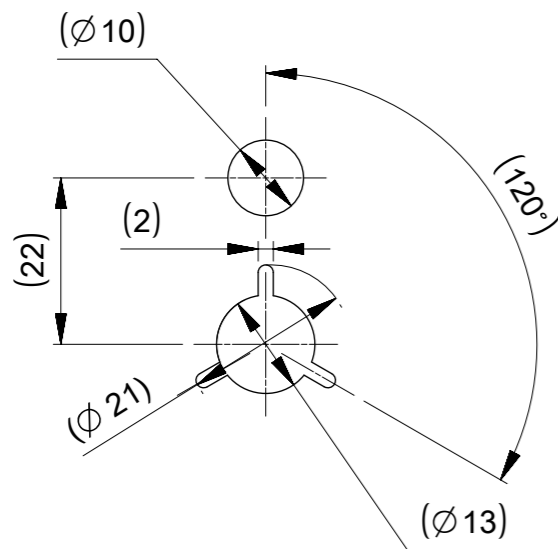
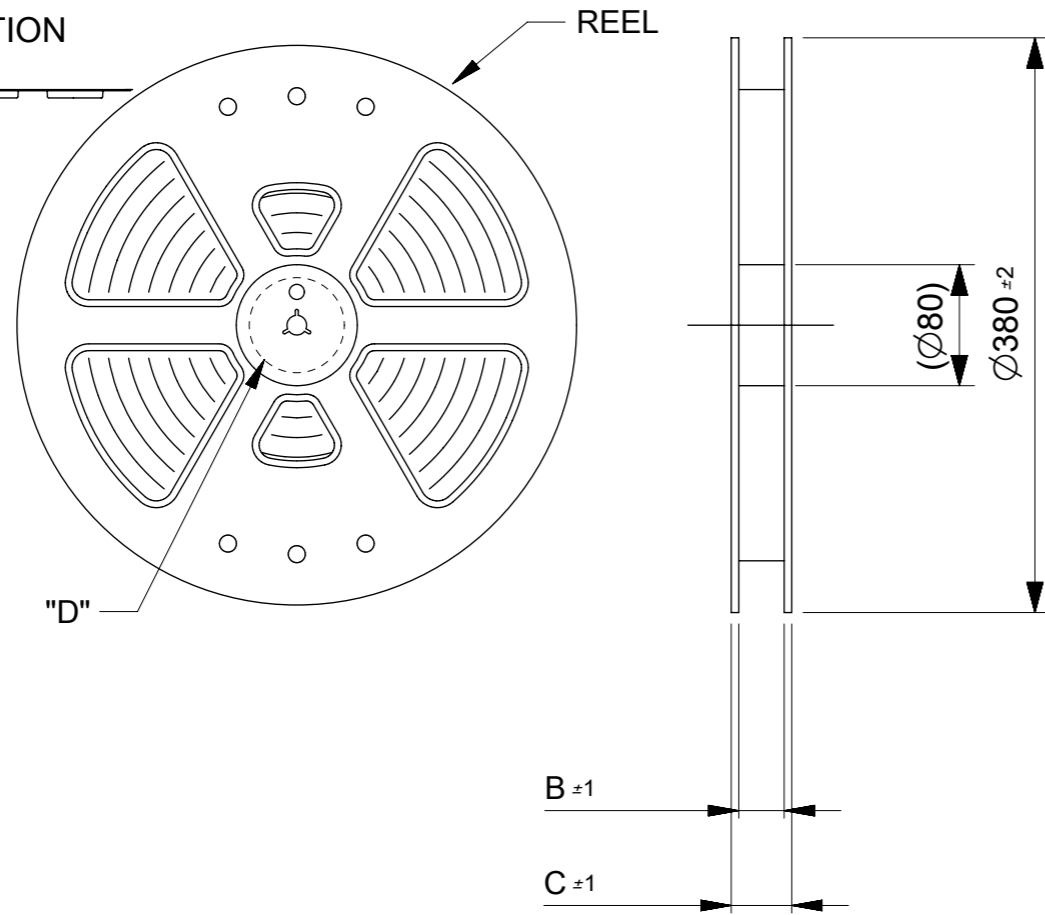


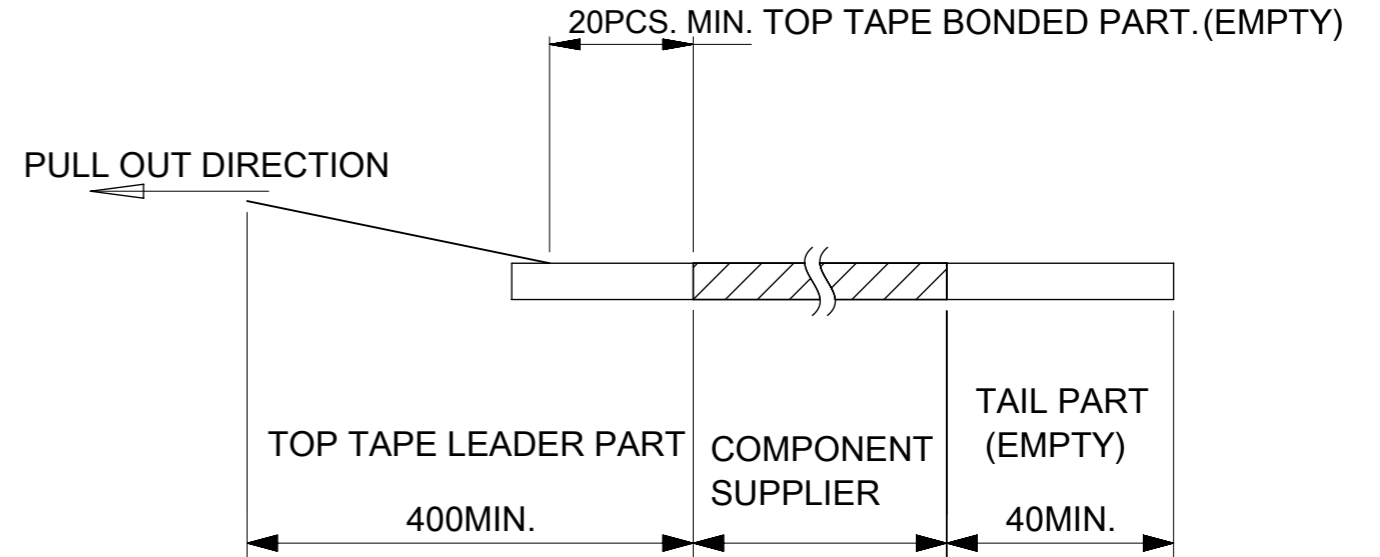
PULL OUT DIRECTION



DETAIL "D"

NOTES

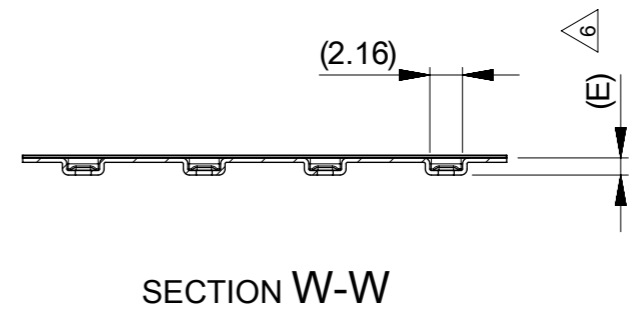
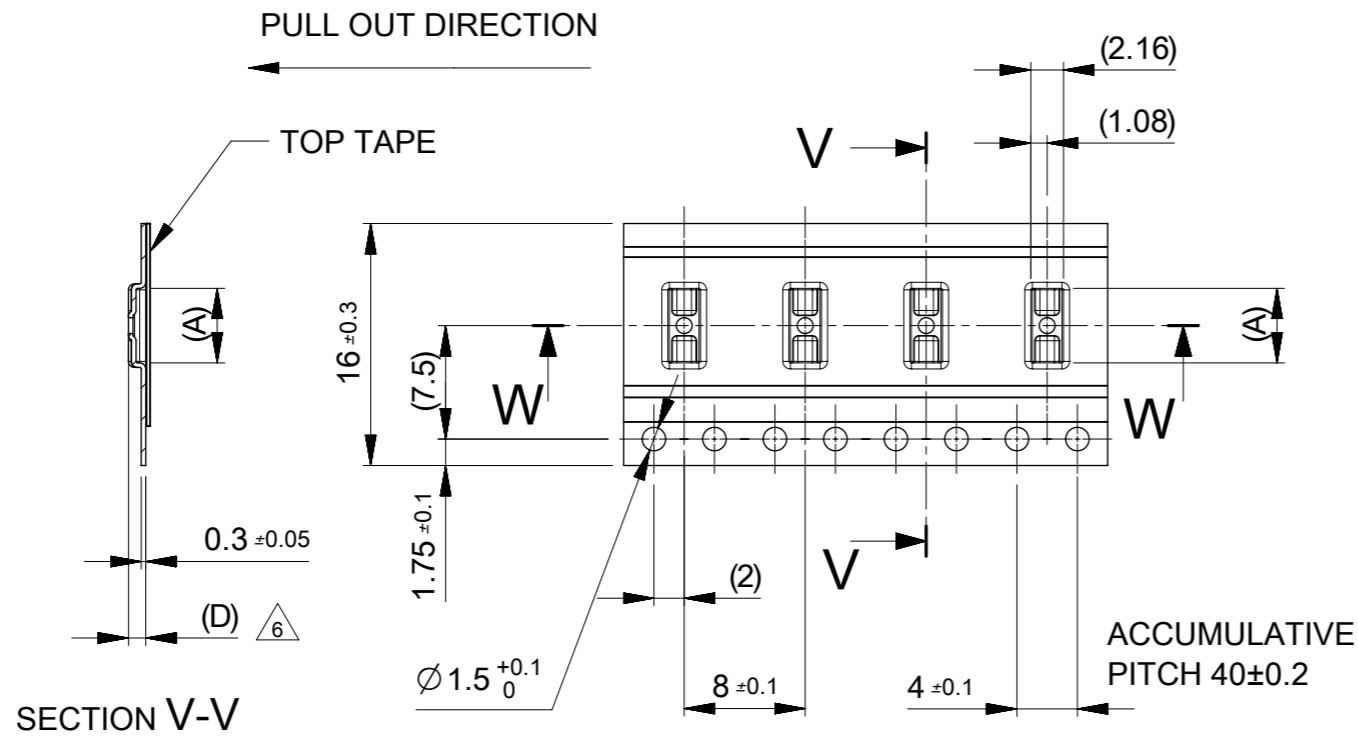
1. RE DETAILED DIMENSION, SEE PRODUCT DRAWING.
2. NUMBER OF CONNECTORS : 8000 PCS/REEL.
3. LEAD TAPE LENGTH.



4. TOP TAPE PEEL FORCE IS DEFINED BY IEC60286-3
5. MATERIAL
CARRER TAPE :POLYSTYRENE
TOP TAPE :PET , OTHER
REEL :POLYSTYRENE(PS)(RECYCLE MATERIAL CONTAINED)
- △ 6 ONLY 6 CIRCUIT IS DIFFERENT IN THIS DIMENSION.

MODEL NO. 505070-**42

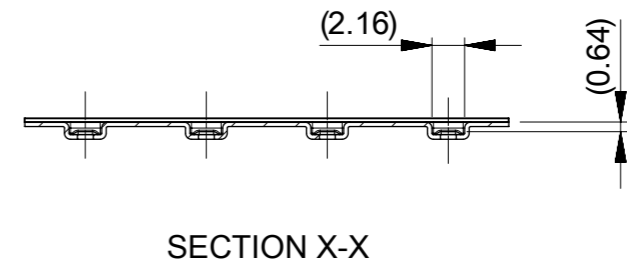
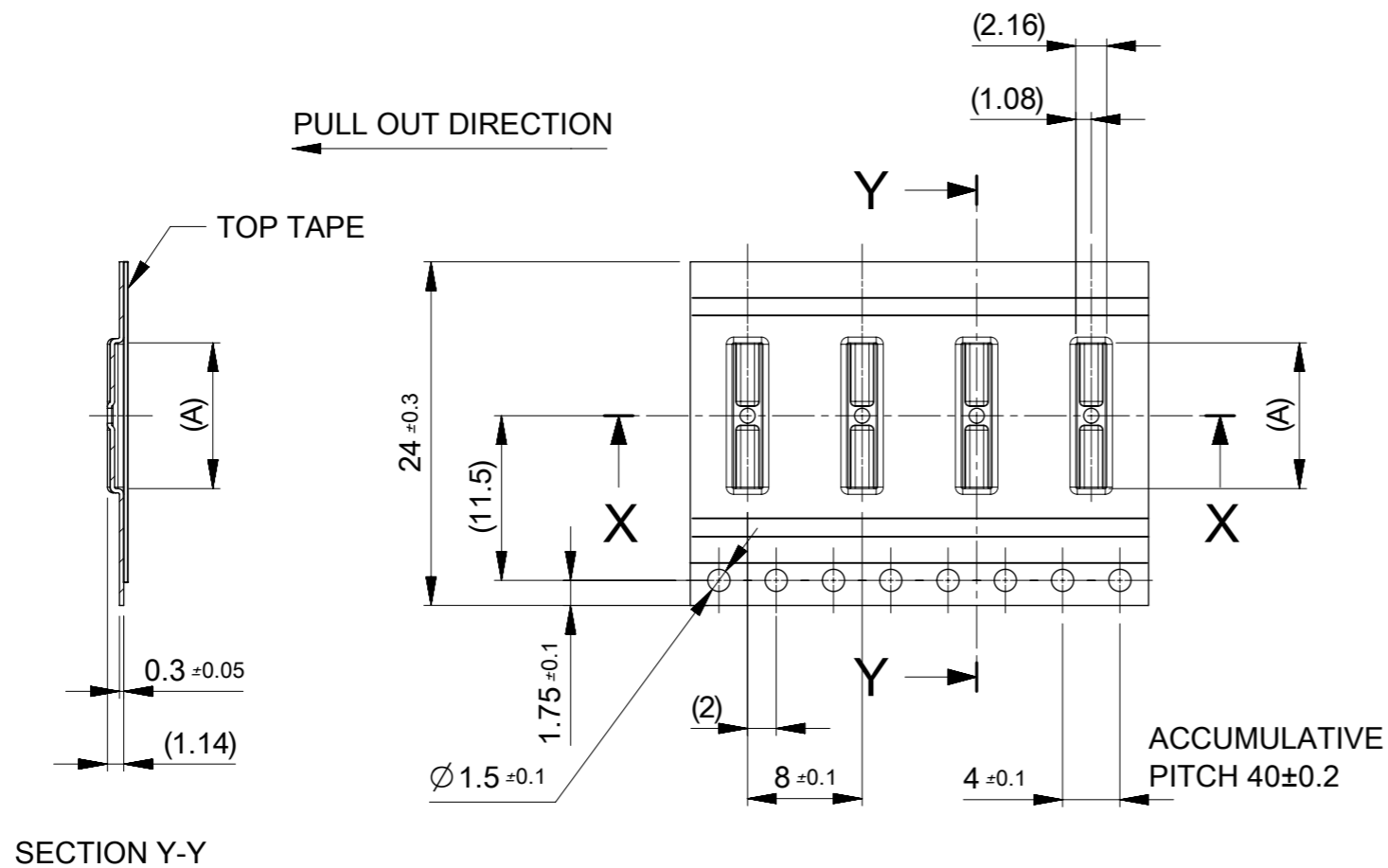
THIS DRAWING CONTAINS INFORMATION THAT IS PROPRIETARY TO MOLEX ELECTRONIC TECHNOLOGIES, LLC AND SHOULD NOT BE USED WITHOUT WRITTEN PERMISSION									
DIMENSION UNITS		SCALE		CURRENT REV DESC: REVISED					
mm		1:5		<p>molex</p> <p>0.35 BB CONN. H=0.6 SSB6 RP PLUG ASSY</p> <p>PRODUCT CUSTOMER DRAWING</p> <p>DOCUMENT NUMBER: 5050700000 DOC TYPE: PSD DOC PART: 008 REVISION: C</p> <p>MATERIAL NUMBER: CUSTOMER: GENERAL SHEET NUMBER: 1 OF 3</p>					
GENERAL TOLERANCES (UNLESS SPECIFIED)									
ANGULAR TOL ± 1.0 °									
4 PLACES ± 0.01									
3 PLACES ± 0.03									
2 PLACES ± 0.05									
1 PLACE ± 0.1									
0 PLACES ± 0.2									
DRAFT WHERE APPLICABLE MUST REMAIN WITHIN DIMENSIONS				THIRD ANGLE PROJECTION		DRAWING		SERIES	
		A3-SIZE		505070					



16	0.64	1.14	21.4	17.4	6.68	505070-3042	○	---	30				
					5.63	505070-2442	○	---	24				
					5.28	505070-2242	○	---	22				
					4.93	505070-2042	○	---	20				
					4.58	505070-1842	---	---	18				
					4.23	505070-1642	○	---	16				
					3.88	505070-1442	○	---	14				
					3.53	505070-1242	○	---	12				
					3.18	505070-1042	○	---	10				
					2.78	505070-0842	○	---	8				
	0.66	1.16			2.43	505070-0642	○	---	6				
キャリアテープ幅 CARRIER TAPE WIDTH					(E)	(D)	C	B	(A)	MATERIAL No.	HIGH VOL. TOOL	LOW VOL. TOOL	CIRCUIT
											SAMPLE PREPARATION		

THIS DRAWING CONTAINS INFORMATION THAT IS PROPRIETARY TO MOLEX ELECTRONIC TECHNOLOGIES, LLC AND SHOULD NOT BE USED WITHOUT WRITTEN PERMISSION

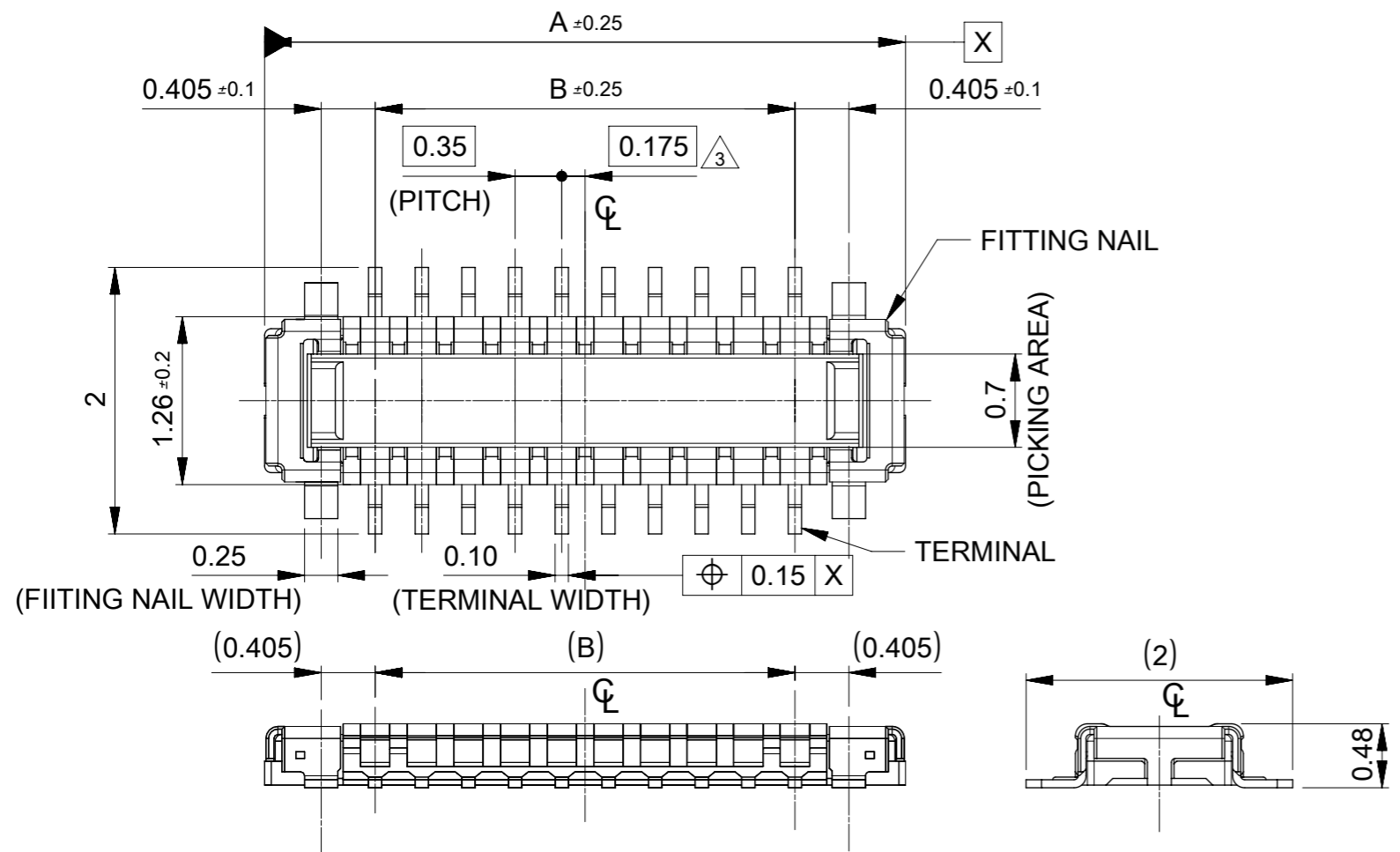
DIMENSION UNITS mm	SCALE 2:1	CURRENT REV DESC: REVISED		molex		
GENERAL TOLERANCES (UNLESS SPECIFIED)		EC NO: 612826				
ANGULAR TOL ± 1.0°	4 PLACES ± 0.01	DRWN: GSHARMA	2019/02/22	PRODUCT CUSTOMER DRAWING		
3 PLACES ± 0.03	2 PLACES ± 0.05	CHK'D: MSASAO	2019/02/27	DOCUMENT NUMBER		
1 PLACE ± 0.1	0 PLACES ± 0.2	APPR: MSASAO	2019/02/27	5050700000		
DRAFT WHERE APPLICABLE MUST REMAIN WITHIN DIMENSIONS		INITIAL REVISION:		DOC TYPE	DOC PART	REVISION
THIRD ANGLE PROJECTION		DRWN: TNISHIDA02	2017/03/28	PSD	008	C
DRAWING		APPR: TKUSUHARA01	2017/04/03	SHEET NUMBER		
A3-SIZE		SERIES	505070	GENERAL		
		MATERIAL NUMBER		2 OF 3		
		CUSTOMER	GENERAL			



24	29.4	25.4	12.63	505070-6442	---	---	64
			11.93	505070-6042	---	---	60
			10.88	505070-5442	○	---	54
			10.18	505070-5042	○	---	50
			9.83	505070-4842	○	---	48
			9.48	505070-4642	---	---	46
			8.78	505070-4242	○	---	42
			8.43	505070-4042	○	---	40
			7.38	505070-3442	○	---	34
7.03	505070-3242	---	---	32			
キャリアテープ幅 CARRIER TAPE WIDTH	C	B	(A)	MATERIAL No.	HIGH VOL TOOL	LOW VOL TOOL	CIRCUIT
					SAMPLE PREPARATION		

THIS DRAWING CONTAINS INFORMATION THAT IS PROPRIETARY TO MOLEX ELECTRONIC TECHNOLOGIES, LLC AND SHOULD NOT BE USED WITHOUT WRITTEN PERMISSION

DIMENSION UNITS mm	SCALE 2:1	CURRENT REV DESC: REVISED		molex		
GENERAL TOLERANCES (UNLESS SPECIFIED)		EC NO: 612826				
ANGULAR TOL ± 1.0°	4 PLACES ± 0.01	DRWN: GSHARMA 2019/02/22		PRODUCT CUSTOMER DRAWING		
3 PLACES ± 0.03	2 PLACES ± 0.05	CHK'D: MSASAO 2019/02/27		DOCUMENT NUMBER		
1 PLACE ± 0.1	0 PLACES ± 0.2	APPR: MSASAO 2019/02/27		5050700000		
DRAFT WHERE APPLICABLE MUST REMAIN WITHIN DIMENSIONS		INITIAL REVISION:		DOC TYPE	DOC PART	REVISION
THIRD ANGLE PROJECTION		DRWING	SERIES	MATERIAL NUMBER	CUSTOMER	SHEET NUMBER
A3-SIZE		505070	GENERAL	3 OF 3		



- 1 MATERIAL
 WAFER: LIQUID CRYSTAL POLYMER UL94V-0 (COLOR: BLACK)
 TERMINAL: COPPER ALLOY
 FITTING NAIL: COPPER ALLOY
- 2 PLATING
 TERMINAL:
 CONTACT AREA: SEPARATED GOLD PLATING (0.1 MICROMETER MINIMUM).
 SOLDER TAIL AREA: SEPARATED GOLD PLATING.
 UNDERPLATE: NICKEL OVERALL.
 *DIVIDE INTO PARTS THE GOLD PLATING OF THE CONTACT AND THE TAIL PART BY THE NICKEL PLATING.
- FITTING NAIL:
 CONTACT AREA: SEPARATED GOLD PLATING (0.1 MICROMETER MINIMUM).
 SOLDER TAIL AREA: SEPARATED GOLD PLATING.
 UNDERPLATE: NICKEL OVERALL.
 *DIVIDE INTO PARTS THE GOLD PLATING OF THE CONTACT AND THE TAIL PART BY THE NICKEL PLATING.
 *EVEN THOUGH GOLD PLATING ON THE TOP SURFACE OF NAIL MIGHT BE THIN, NO FUNCTIONAL PROBLEM.

- 3 APPLY FOR (CIRCUIT/2)=EVEN.
- 4 MATE WITH : 505066**22 (H=0.6) , 505270**12 (H=0.7)
- 5 TAIL AND FITTING NAIL COPLANARITY TO BE 0.08 MAXIMUM.
- 6 PROHIBITED AREA OF PATTERN WIRING AND SOLDER.
 (FOR EACH AREA, THE WIRING THAT TOUCHES ON THE SOLDER CAN BE ATTACHED, THEN COVERED WITH A FILM TO KEEP SOLDER OUT).
- 7 THIS DIMENSION SHOWS THE DIMENSION BETWEEN SOLDERING SURFACE OF SOLDER TAILS.

14.76	14.16	11.90	13.56	505070-7042	---	---	70
13.71	13.11	10.85	12.51	505070-6442	---	---	64
13.01	12.41	10.15	11.81	505070-6042	---	---	60
12.66	12.06	9.80	11.46	505070-5842	---	---	58
11.96	11.36	9.10	10.76	505070-5442	○	---	54
11.26	10.66	8.40	10.06	505070-5042	○	---	50
10.91	10.31	8.05	9.71	505070-4842	○	---	48
10.56	9.96	7.70	9.36	505070-4642	---	---	46
9.86	9.26	7.00	8.66	505070-4242	○	---	42
9.51	8.91	6.65	8.31	505070-4042	○	---	40
9.16	8.56	6.30	7.96	505070-3842	---	---	38
8.46	7.86	5.60	7.26	505070-3442	○	---	34
8.11	7.51	5.25	6.91	505070-3242	---	---	32
7.76	7.16	4.90	6.56	505070-3042	○	---	30
7.41	6.81	4.55	6.21	505070-2842	---	---	28
6.71	6.11	3.85	5.51	505070-2442	○	---	24
6.36	5.76	3.50	5.16	505070-2242	○	---	22
6.01	5.41	3.15	4.81	505070-2042	○	---	20
5.66	5.06	2.80	4.46	505070-1842	---	---	18
5.31	4.71	2.45	4.11	505070-1642	○	---	16
4.96	4.36	2.10	3.76	505070-1442	○	---	14
4.61	4.01	1.75	3.41	505070-1242	○	---	12
4.26	3.66	1.40	3.06	505070-1042	○	---	10
3.91	3.31	1.05	2.71	505070-0842	○	---	8
3.56	2.96	0.70	2.36	505070-0642	○	---	6

D	C	B	A	EMBOSSED TAPE PACKAGE	HIGH VOL. TOOL	LOW VOL. TOOL	CIRCUIT
				ORDER NO.	SAMPLE PREPARATION ○ : TOOLED △ : WORK IN PROCESS ---: TOOLING TO BE CONFIRMED		

CONNECTOR SERIES NO. : 505070-**39

THIS DRAWING CONTAINS INFORMATION THAT IS PROPRIETARY TO MOLEX ELECTRONIC TECHNOLOGIES, LLC AND SHOULD NOT BE USED WITHOUT WRITTEN PERMISSION

DIMENSION UNITS: mm SCALE: 20:1 CURRENT REV DESC: REVISED

GENERAL TOLERANCES (UNLESS SPECIFIED): ANGULAR TOL ± 1.0°

4 PLACES ± 0.01
 3 PLACES ± 0.03
 2 PLACES ± 0.05
 1 PLACE ± 0.1
 0 PLACES ± 0.2

DRAFT WHERE APPLICABLE MUST REMAIN WITHIN DIMENSIONS

THIRD ANGLE PROJECTION

DRAWING: A3-SIZE SERIES: 505070

EC NO: 646121
 DRWN: YSEKI01 2019/09/19
 CHK'D: STERUKI 2020/09/28
 APPR: YNAITO 2020/09/28

INITIAL REVISION:
 DRWN: TNISHIDA02 2017/03/28
 APPR: TKUSUHARA01 2017/04/03

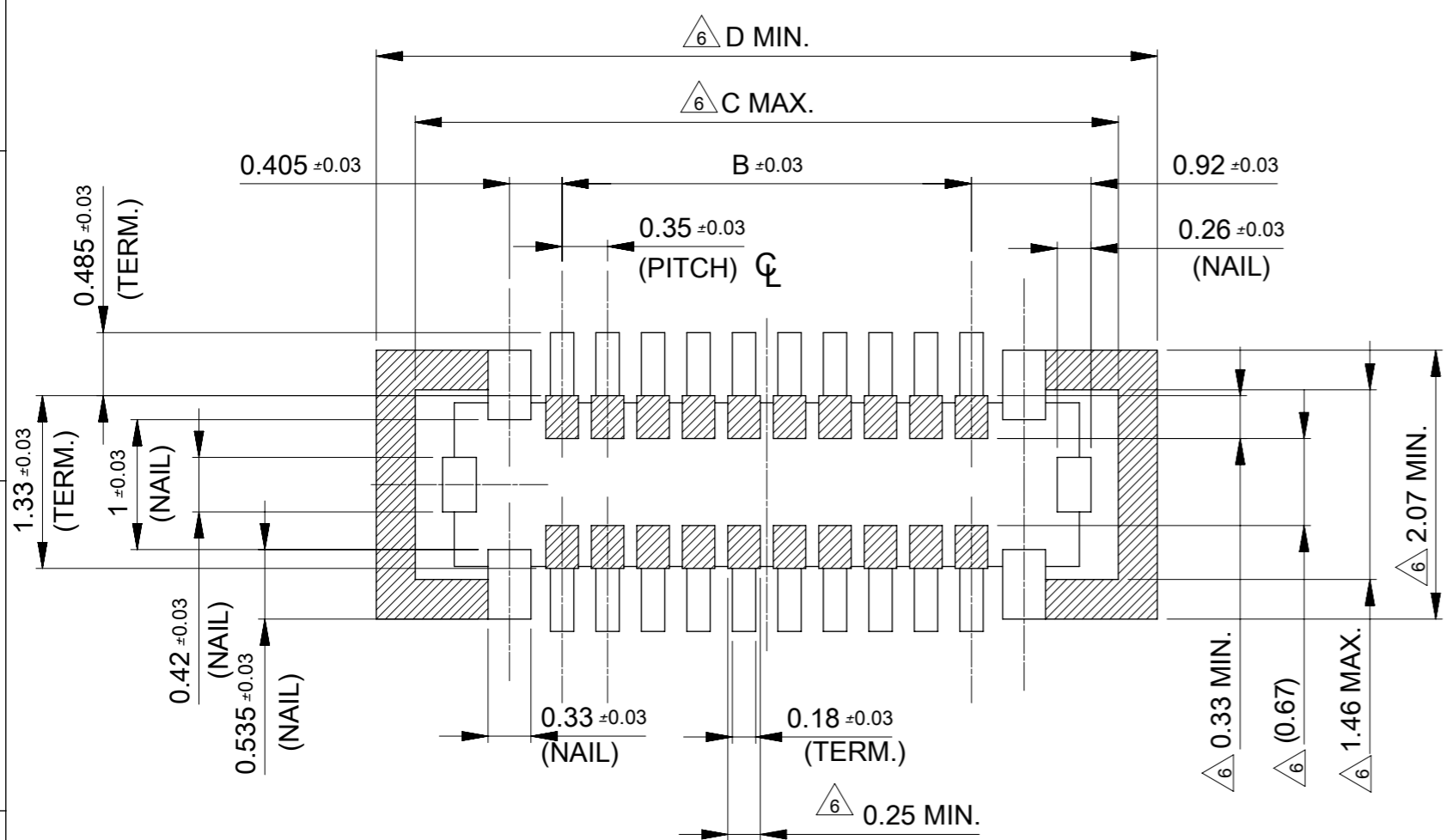
molex

0.35 BB CONN. SSB6 RP PLUG ASSY

PRODUCT CUSTOMER DRAWING

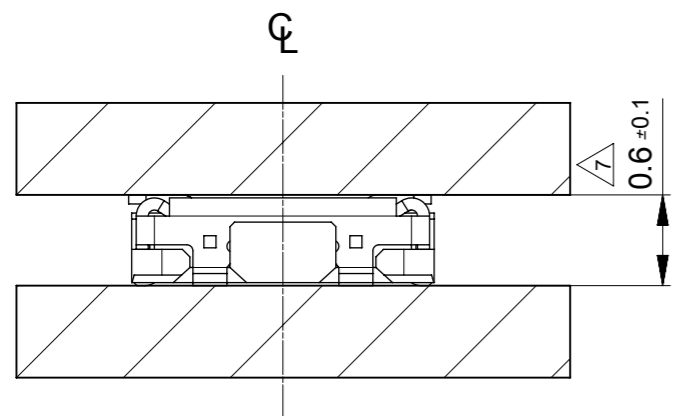
DOCUMENT NUMBER: 5050701000 DOC TYPE: PSD DOC PART: 020 REVISION: D

MATERIAL NUMBER: CUSTOMER: GENERAL SHEET NUMBER: 1 OF 2

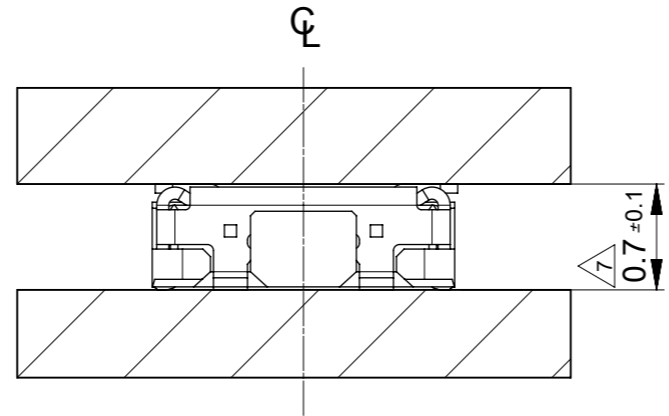


RECOMENDED P.W.BOARD PATTERN LAYOUT(REFRECE)

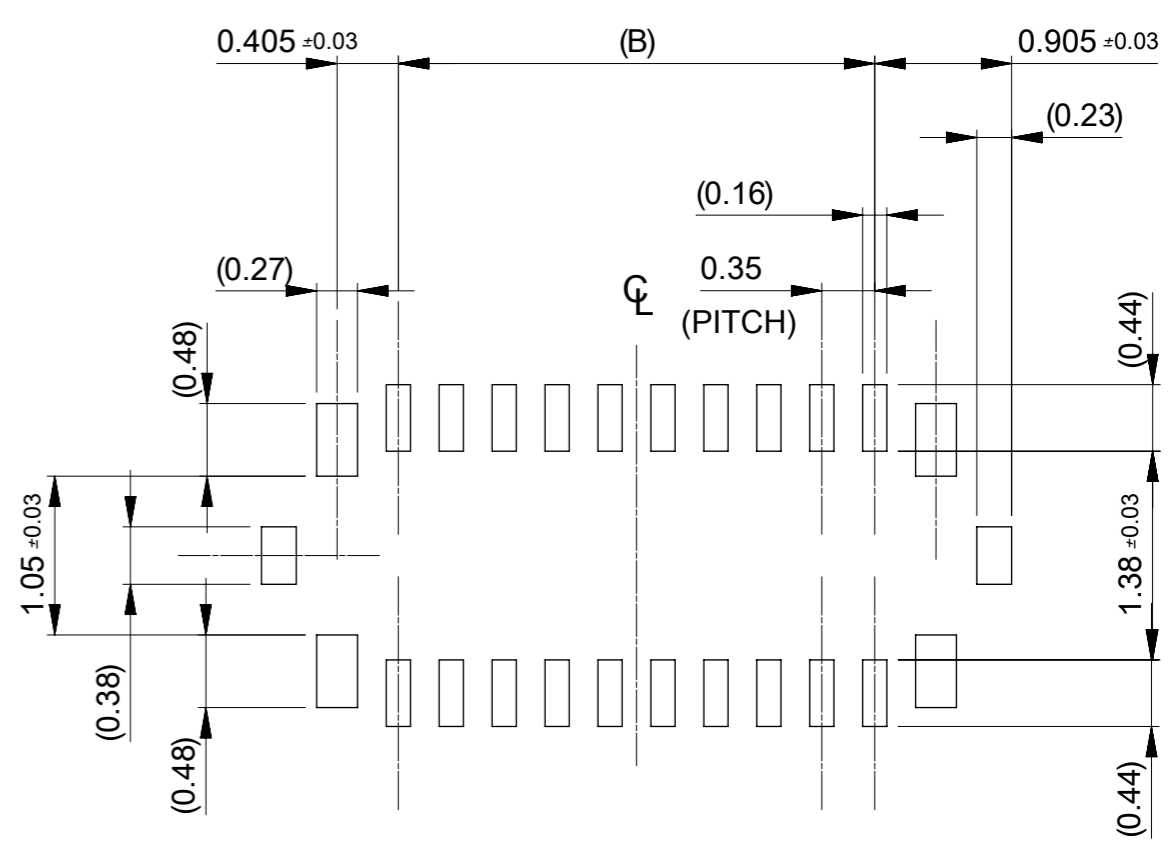
△ PROHIBITED AREA OF PATTERN WIRING AND SOLDER.
(FOR EACH AREA, THE WIRING THAT TOUCHES ON THE SOLDER CAN BE ATTACHED, THEN COVERED WITH A FILM TO KEEP SOLDER OUT.)



MATED CONDITION (505066/505070)



MATED CONDITION (505270/505070)



RECOMENDED METAL MASK LAYOUT(REFRECE)

RECOMENDED THICKNESS OF METAL MASK : t=0.08MM
RECOMENDED OPEN APERTURE RATIO OF METAL MASK : 80%

THIS DRAWING CONTAINS INFORMATION THAT IS PROPRIETARY TO MOLEX ELECTRONIC TECHNOLOGIES, LLC AND SHOULD NOT BE USED WITHOUT WRITTEN PERMISSION		CURRENT REV DESC: REVISED		molex		
DIMENSION UNITS	SCALE	EC NO: 646121				0.35 BB CONN. SSB6 RP PLUG ASSY
mm	20:1	DRWN: YSEKI01		2019/09/19		
GENERAL TOLERANCES (UNLESS SPECIFIED)		CHK'D: STERUKI		2020/09/28		
ANGULAR TOL	± 1.0 °	APPR: YNAITO		2020/09/28		
4 PLACES	± 0.01	INITIAL REVISION:		DOCUMENT NUMBER		
3 PLACES	± 0.03	DRWN: TNISHIDA02		5050701000		
2 PLACES	± 0.05	APPR: TKUSUHARA01		PSD 020 D		
1 PLACE	± 0.1	2017/03/28		DOC TYPE DOC PART REVISION		
0 PLACES	± 0.2	2017/04/03		GENERAL		
DRAFT WHERE APPLICABLE MUST REMAIN WITHIN DIMENSIONS		THIRD ANGLE PROJECTION	DRAWING	SERIES	MATERIAL NUMBER	CUSTOMER
			A3-SIZE	505070		GENERAL
SHEET NUMBER		2 OF 2				