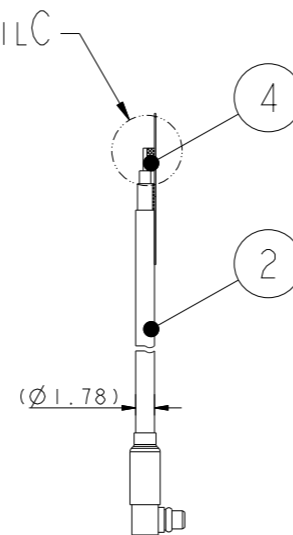
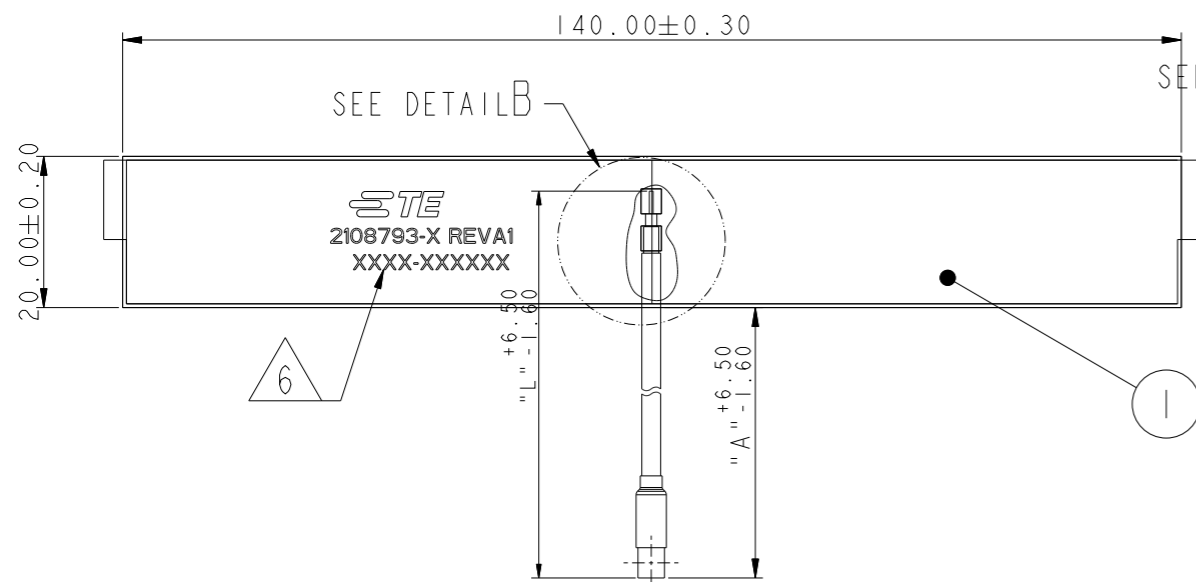


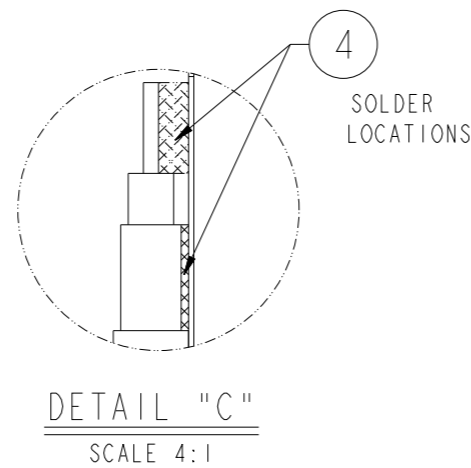
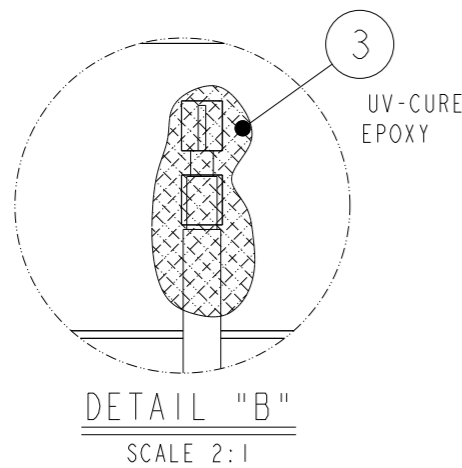
P	LTR	DESCRIPTION	DATE	DWN	APVD
	A2	REVISED	25OCT2021	DW	CY

AS SHOWN 2108793-1 AND 2108793-2



NOTE : UNLESS OTHERWISE SPECIFIED

- FABRICATE TO MEET IPC-6012, CLASS 2. INSPECT TO MEET IPC-A-600, CLASS 2.
- MATERIAL :
  - A. FPC + ADHESIVE.
  - B. ADHESIVE WITH LINER ON THER BACK SIDE, REMOVE LINER TO APPLY.
  - C. CABLE WITH CONNECTOR.
- FINISH :
  - A: COVERLAY: ORANGE PI & SOLDER MASK
  - B: (ENIG) ELECTROLESS NICKEL IMMERSION GOLD
- PACKING: SECURELY SHRINK WRAPPED, VACUUM PACKED OR BAGS PACKAGED IN BULK.
- CONSULT TE CONNECTIVITY DATA SHEET DS2108793.
- MINIMUM IDENTIFICATION INCLUDES
  - A: TE LOGO, TE P/N
  - B: WORD REV., FOLLOWED BY THE LASTEST REVISION LETTER. AS SHOWN.
  - C: 4 DIGITS DATE CODE: FIRST 2 DIGITS FOR THE WEEK CODE AND THE 2 DIGITS FOR THE YEAR CODE.
  - OTHERS: SPECIFIC TE INTERNAL USE ONLY.



ITEM NO.	DESCRIPTION	Q'TY	Q'TY
4	SOLDER WIRE	1	1
3	LETBOND HV054-1 UV CURING ADHESIVE	1	1
2	C/A,MMCX WITH RG178 CABLE, "A" : 239.5, "L" : 255.0	1	-
2	C/A,MMCX WITH RG178 CABLE, "A" : 169.5, "L" : 185.0	-	1
1	FPCB DUAL BAND ANTENNA	1	1

THIS DRAWING IS A CONTROLLED DOCUMENT.		DWN DW.PARK 07JUN2020	TE Connectivity	
DIMENSIONS: mm		CHK H.SHIN 09JUN2020		
TOLERANCES UNLESS OTHERWISE SPECIFIED:		APVD CY.PARK 09JUN2020	NAME FPC Ant, MMCX, 824-960, 2400-2500MHZ	
0 PLC ±- 1 PLC ±- 2 PLC ±- 3 PLC ±- 4 PLC ±- ANGLES ±-		PRODUCT SPEC -	RESTRICTED TO -	
MATERIAL SEE NOTE2		APPLICATION SPEC -	SIZE A3	CAGE CODE 00779
FINISH SEE NOTE3		WEIGHT -	DRAWING NO C-2108793-C	
-		CUSTOMER DRAWING	SCALE 1:1	SHEET 1 OF 1
			REV A2	