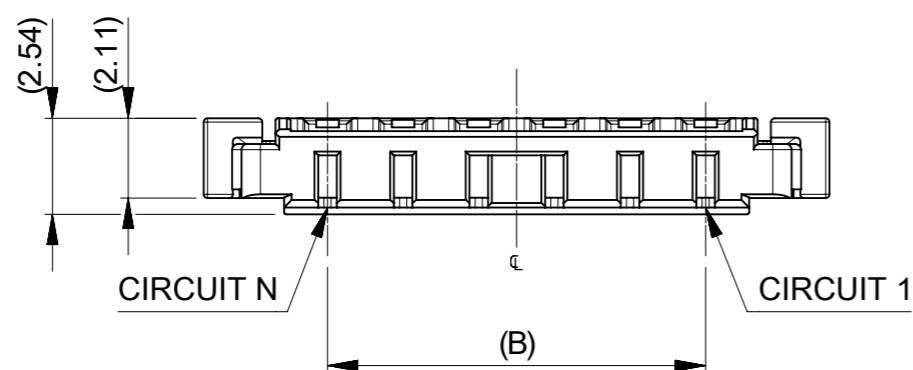
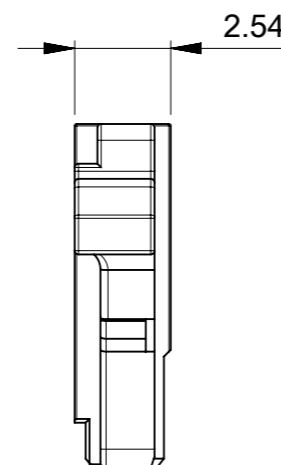
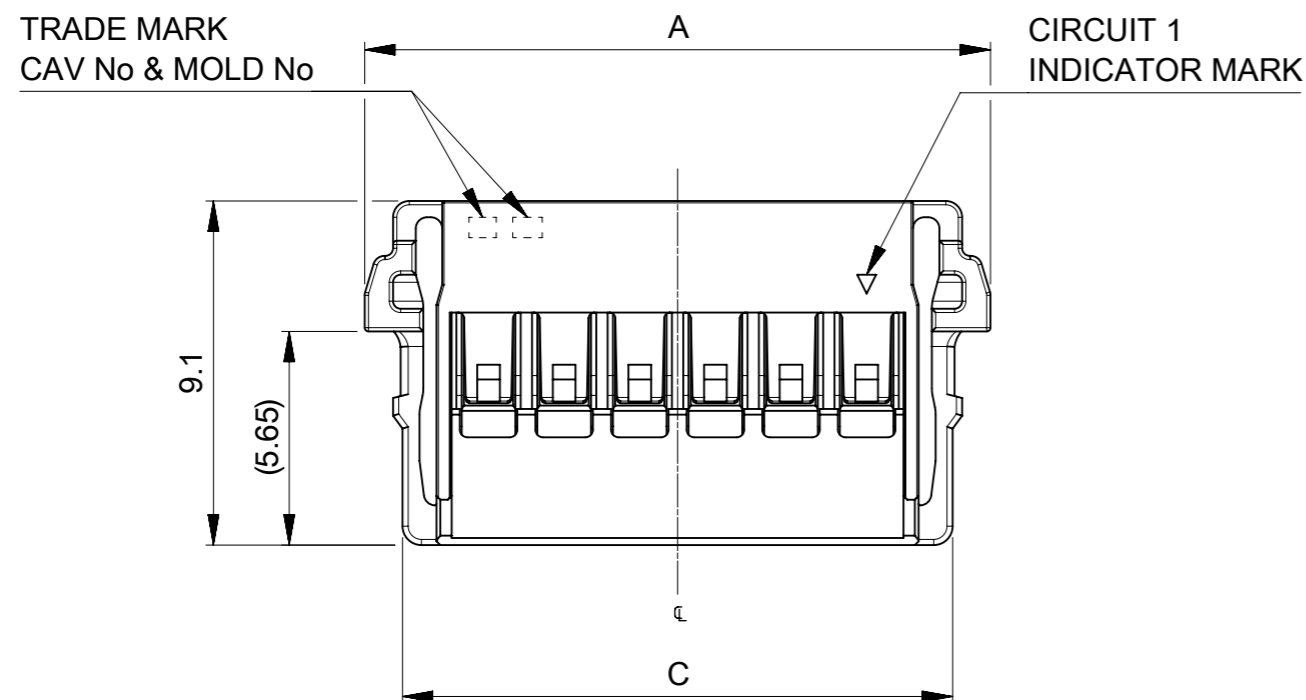


**NOTES**

- ① 偶数極に適用  
APPLY EVEN CIRCUIT PRODUCTS.
- ② 適合製品及び各種仕様書はSHEET 2を参照のこと  
REFER TO SHEET 2 ABOUT APPLICABLE PRODUCTS AND VARIOUS SPECIFICATIONS.



|                                   |    |       |            |              |
|-----------------------------------|----|-------|------------|--------------|
| 14.55                             | 10 | 16.55 | 2053410206 | 6            |
| 12.55                             | 8  | 14.55 | 2053410205 | 5            |
| 10.55                             | 6  | 12.55 | 2053410204 | 4            |
| 8.55                              | 4  | 10.55 | 2053410203 | 3            |
| 6.55                              | 2  | 8.55  | 2053410202 | 2            |
| C                                 | B  | A     | ORDER NO.  | CIRCUIT SIZE |
| 梱包状態 : ポリ袋    PACKAGING : POLYBAG |    |       |            |              |

|   |       |  |  |                          |  |              |
|---|-------|--|--|--------------------------|--|--------------|
| THIS DRAWING CONTAINS INFORMATION THAT IS PROPRIETARY TO MOLEX ELECTRONIC TECHNOLOGIES, LLC AND SHOULD NOT BE USED WITHOUT WRITTEN PERMISSION |       | CURRENT REV DESC:                                    |  | <b>molex</b>             |  |              |
| DIMENSION UNITS   | SCALE | EC NO: 653607  |  |                          |  |              |
| mm  | NTS   | DRWN: MIKEDA01                                       |  | PRODUCT CUSTOMER DRAWING |  |              |
| GENERAL TOLERANCES (UNLESS SPECIFIED)   |       | CHK'D: SAKIYAMA                                      |  | DOCUMENT NUMBER          |  |              |
| ANGULAR TOL ± 3.0°  |       | APPR: KOMURAKAMI                                     |  | 2053410000-SD            |  | DOC TYPE     |
| 4 PLACES  | ± 0.2 | INITIAL REVISION:                                    |  | 2019/10/17               |  | DOC PART     |
| 3 PLACES  | ± 0.2 | DRWN: QHE31  |  | 2020/02/19               |  | REVISION     |
| 2 PLACES  | ± 0.2 | APPR: KOMURAKAMI                                     |  | 2020/02/19               |  | B            |
| 1 PLACE   | ± 0.2 | DRAFT WHERE APPLICABLE MUST REMAIN WITHIN DIMENSIONS |  | THIRD ANGLE PROJECTION   |  | SHEET NUMBER |
| 0 PLACES  | ± 0.2 | DRAWING  |  | SERIES                   |  | 1 OF 2       |
|   |       | A3-SIZE  |  | 205341                   |  |              |
|   |       | MATERIAL NUMBER                                      |  | CUSTOMER                 |  |              |
|   |       | SEE CHART  |  | GENERAL                  |  |              |

| 部品<br>PART       | 材質<br>MATERIAL   |
|------------------|--|
| ハウジング<br>HOUSING | ポリアミド(PA), UL94V-0, 色 : 黒<br>POLYAMIDE(PA), UL94V-0, COLOR : BLACK |

△ 適合製品及び各種仕様書  
 APPLICABLE PRODUCTS AND VARIOUS SPECIFICATIONS

|                                  |             |                       |
|----------------------------------|-------------|-----------------------|
| 梱包仕様書<br>PACKAGING SPECIFICATION | PART NUMBER | DOCUMENT NUMBER       |
|                                  | 205341****  | 2053419200-SPK PS 200 |

|                             |              |             |                |
|-----------------------------|--------------|-------------|----------------|
| 適合端子<br>APPLICABLE TERMINAL | PLATING TYPE | PART NUMBER | WIRE SIZE(AWG) |
|                             | GOLD         | 2053425028  | #20 - #22      |
|                             |              | 2053425128  | #24 - #26      |

|  |                      |
|--|----------------------|
| 適合嵌合相手<br>MATE WITH                      | SMT                  |
|  | GOLD PLATING         |
|  | RIGHT ANGLE          |
| 製品番号<br>PRODUCT NUMBER                   | 205338****           |
| 製品仕様書<br>PRODUCT SPECIFICATION           | 2053410000-PS PS 000 |
| アプリケーション仕様書<br>APPLICATION SPECIFICATION | 2053410000-AS PS 000 |

|   |                             |                           |        |                 |          |                          |  |  |               |
|---|-----------------------------|---------------------------|--------|-----------------|----------|--------------------------|--|--|---------------|
| THIS DRAWING CONTAINS INFORMATION THAT IS PROPRIETARY TO MOLEX ELECTRONIC TECHNOLOGIES, LLC AND SHOULD NOT BE USED WITHOUT WRITTEN PERMISSION |                             |                           |        |                 |          |                          |  |  |               |
| DIMENSION UNITS   | SCALE                       | CURRENT REV DESC:         |        |                 |          |                          | <b>molex</b>                                     |  |               |
| mm  | NTS                         |                           |        |                 |          |                          |  |  |               |
| GENERAL TOLERANCES (UNLESS SPECIFIED)   |                             | EC NO: 653607             |        |                 |          |                          | PICO-LOCK 2.0 REC HSG<br>SINGLE-ROW SMT R/A TYPE |  |               |
| ANGULAR TOL ± 3.0 °   |                             | DRWN: MIKEDA01 2021/01/22 |        |                 |          |                          |  |  |               |
| 4 PLACES ± 0.2  | CHK'D: SAKIYAMA 2021/01/25  |                           |        |                 |          | PRODUCT CUSTOMER DRAWING |  |  |               |
| 3 PLACES ± 0.2  | APPR: KOMURAKAMI 2021/01/25 |                           |        |                 |          |                          |  |  |               |
| 2 PLACES ± 0.2  | INITIAL REVISION:           |                           |        |                 |          | DOCUMENT NUMBER          |  |  |               |
| 1 PLACE ± 0.2   | DRWN: QHE31 2019/10/17      |                           |        |                 |          |                          |  |  | 2053410000-SD |
| 0 PLACES ± 0.2  | APPR: KOMURAKAMI 2020/02/19 |                           |        |                 |          | PSD 000 B                |  |  |               |
| DRAFT WHERE APPLICABLE<br>MUST REMAIN<br>WITHIN DIMENSIONS  | THIRD ANGLE PROJECTION      | DRAWING                   | SERIES | MATERIAL NUMBER | CUSTOMER |                          |  |  | SHEET NUMBER  |
|   |                             | A3-SIZE                   | 205341 |                 | GENERAL  | 2 OF 2                   |  |  |               |