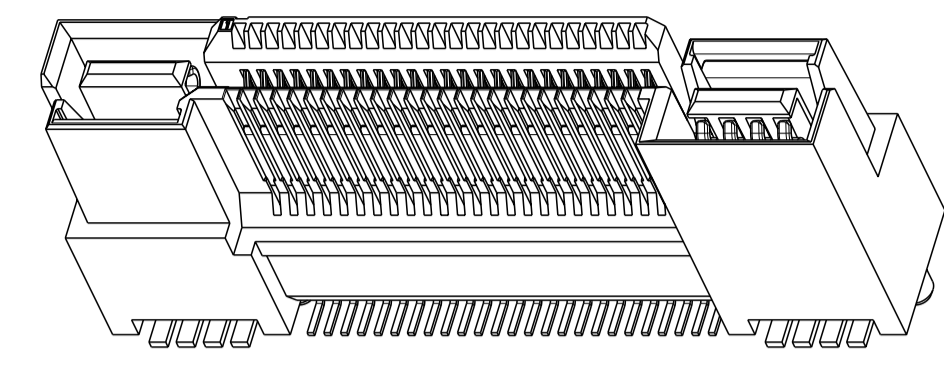
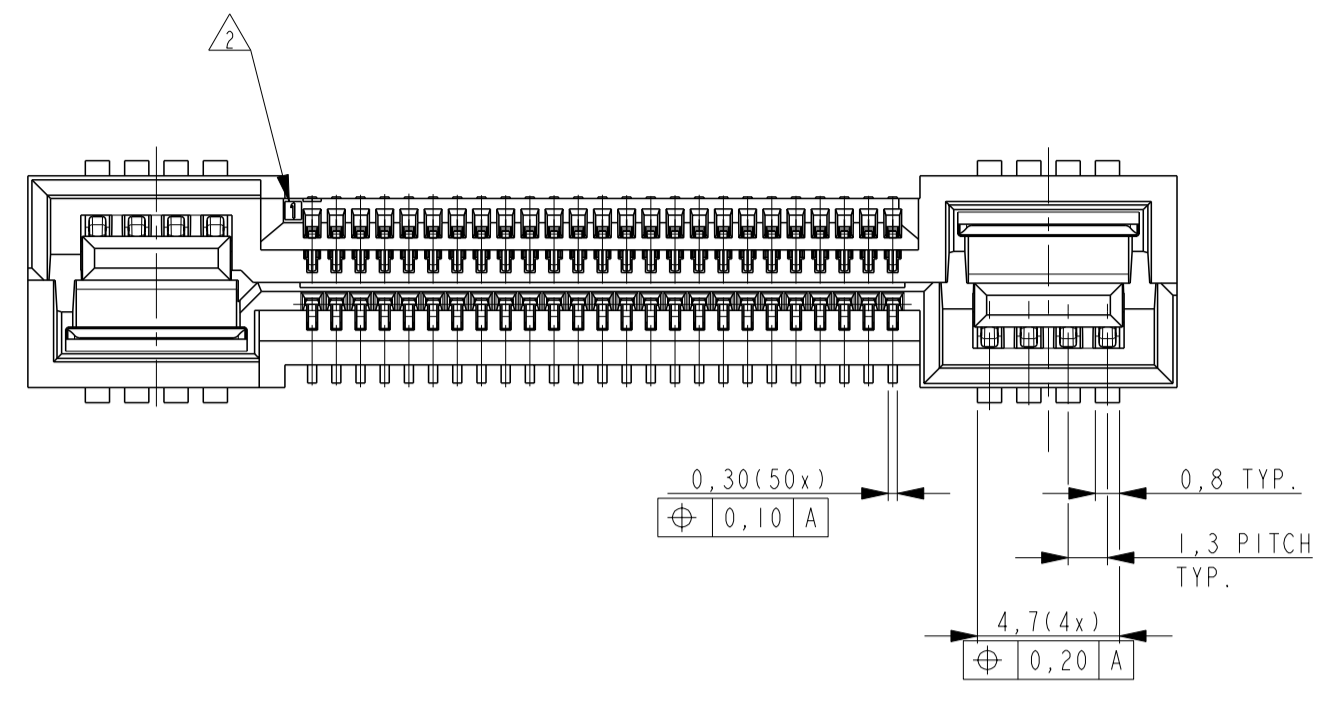


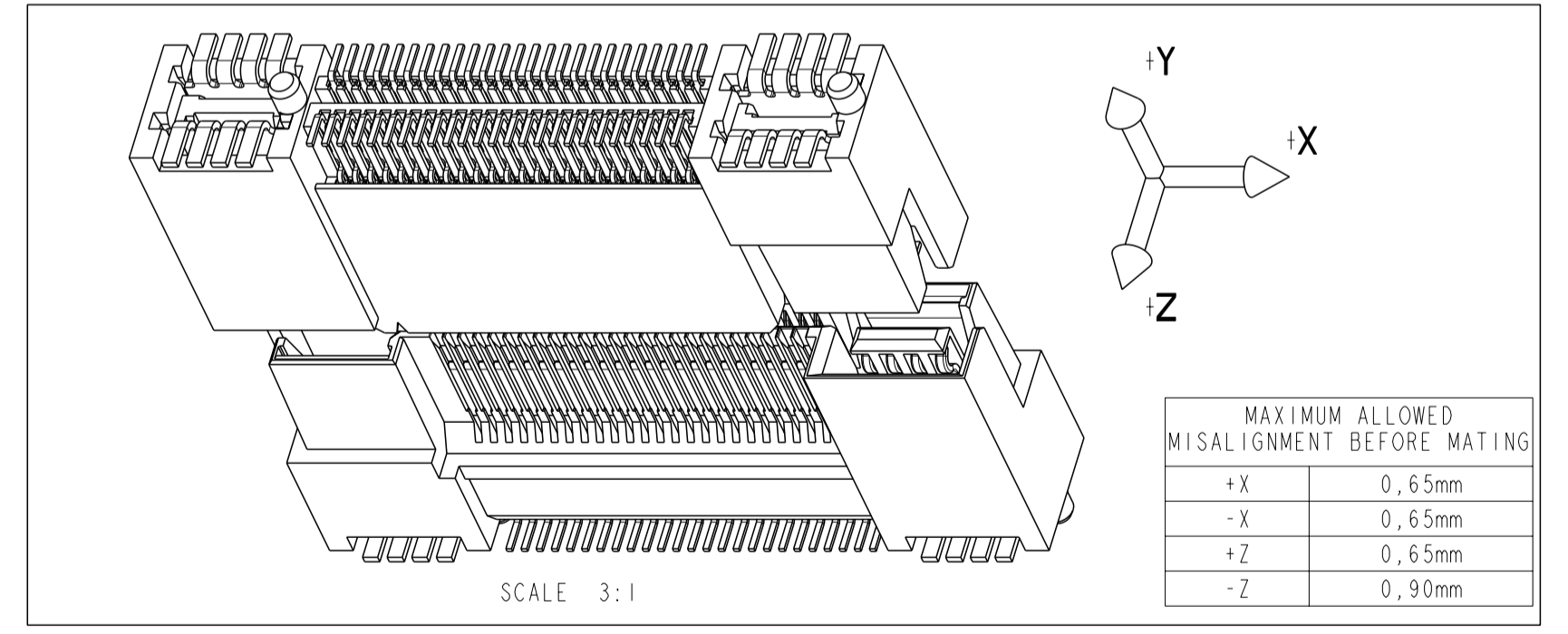
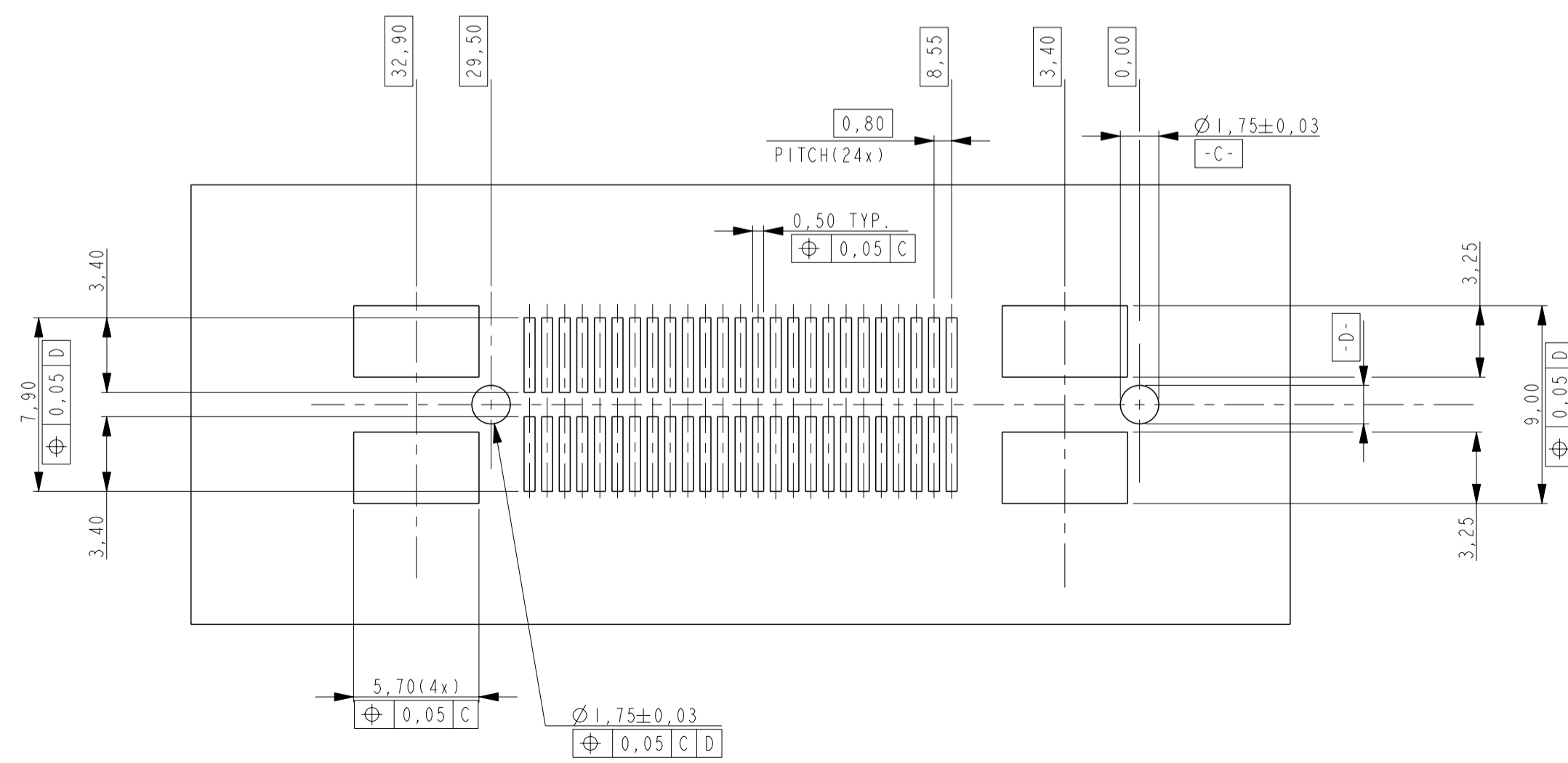
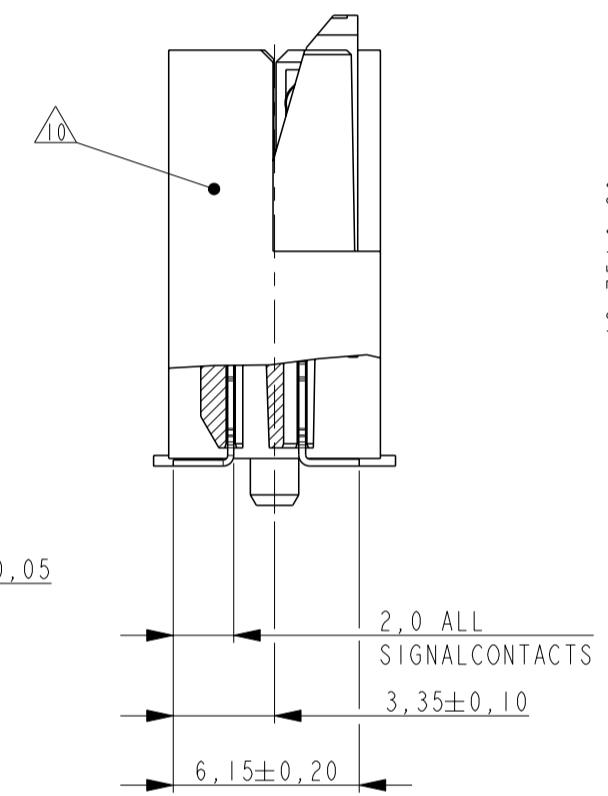
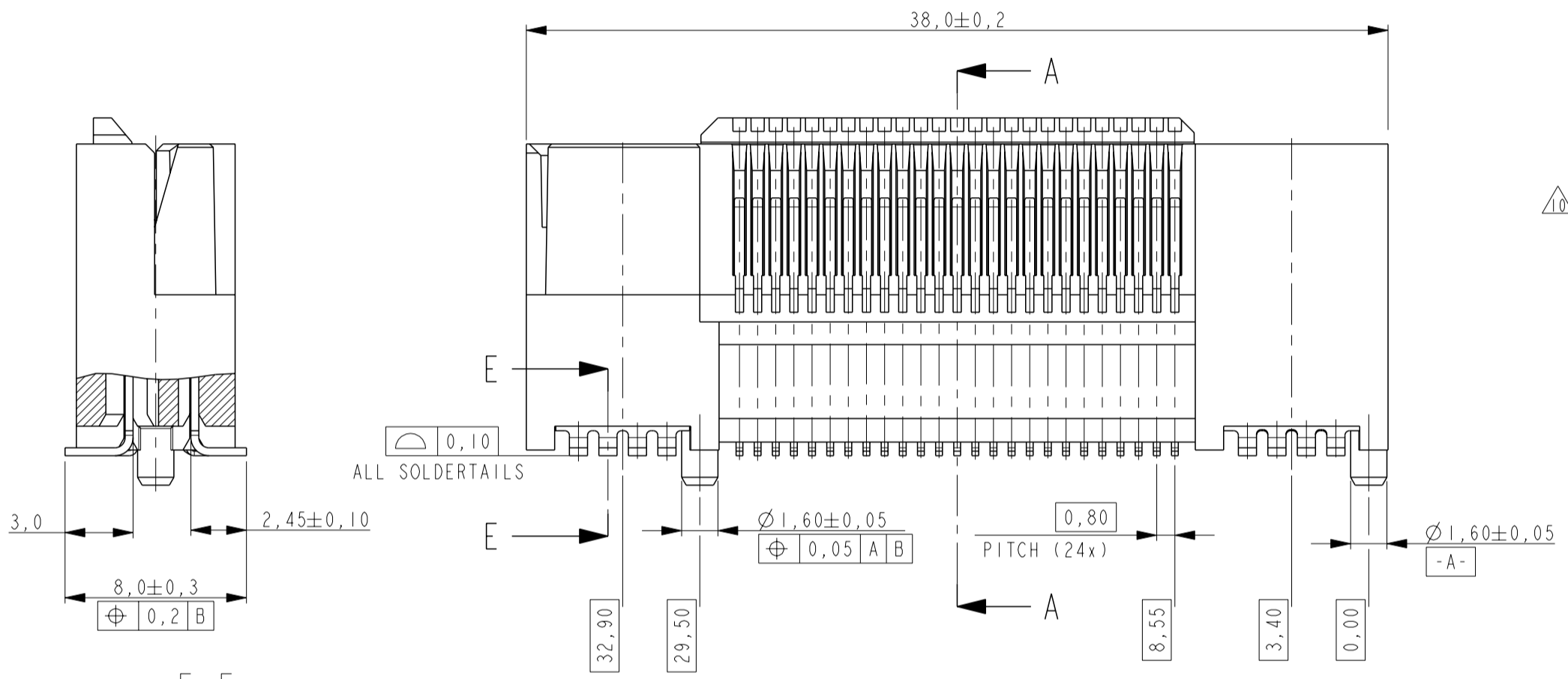
THIS DRAWING IS UNPUBLISHED. RELEASED FOR PUBLICATION
 © COPYRIGHT BY ALL RIGHTS RESERVED.

LOC H
 DIST -

REVISIONS					
P	LTR	DESCRIPTION	DATE	DWN	APVD
A		RELEASED PER ECR-11-009736	10MAY2011	RD	TdB
B		ECR-11-018362	05SEP2011	RD	TdB



- NOTES:
- MATERIAL: -CONTACTS: COPPER ALLOY.
 -HOUSING: LCP (COLOR NATURAL)
 -PICK AND PLACE ADAPTER: PA4.6.
 - FINISH: -SIGNALCONTACTS: Ni UNDERLAYER, Au AT CONTACTSPOTS Sn AT SOLDERTAILS.
 -POWERCONTACTS: Ni UNDERLAYER, Au AT CONTACTSPOTS Sn AT SOLDERTAILS.
 - CONTACT POSITION INDEX (NR 1 AND TRIANGLE SYMBOL).
 - CONNECTOR IS NOT SUITABLE FOR HIGH SPEED APPLICATIONS.
 - PCB STACKING HEIGHT: $21,5 \pm 0,5$ mm.
 - CONTACT WIPE AT NOMINAL STACKING HEIGHT:
 SIGNAL CONTACTS: $1,5 \pm 0,2$ mm; POWER CONTACTS: $2,5 \pm 0,2$ mm.
 - PACKAGED IN ANTISTATIC TAPE AND REEL.
 EMBOSSED CARRIER TAPE DIMENSIONS ACCORDING SPECIFICATION EIA-481-B. SEE SHEET 2 FOR MORE DETAILS.
 - REEL DIAMETER 330mm, NUMBER OF PARTS PER REEL 150 PCS.
 - USER DIRECTION OF UNREELING.
 - WEIGHT OF CONNECTOR INCLUDING PICK AND PLACE ADAPTOR: 4,2g
 - AREA FOR DATE-CODE: yyyyWww EXAMPLE: 2011W05 MEANS WEEK 5 2011 CHARACTER HEIGHT 1,5mm, COLOR BLACK.

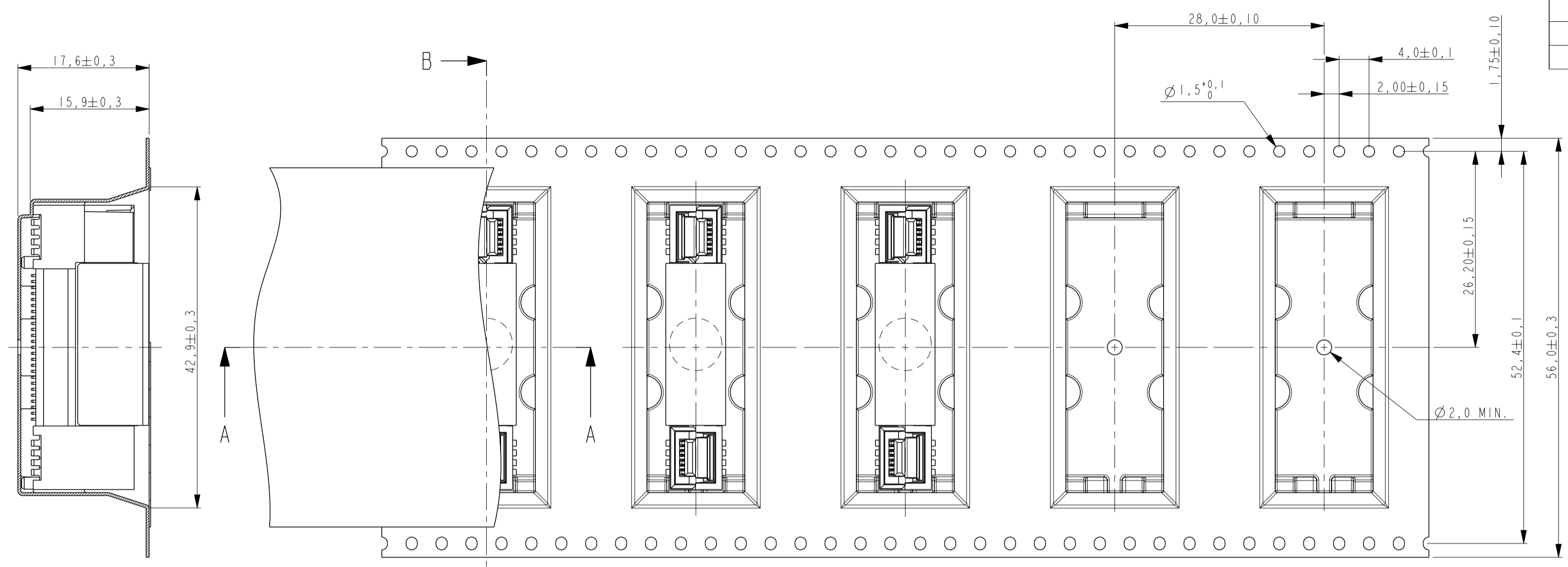


ORDERNUMBER: 2042954-1
 PICK AND PLACE ADAPTOR NOT SHOWN IN THIS SHEET)

THIS DRAWING IS A CONTROLLED DOCUMENT.		DWN 28 OCT 2008 J.V.D. HEIJDEN	TE Connectivity	
		CHK 28 OCT 2008 R.DAAMEN		
DIMENSIONS: mm		APVD T.d. BOER	NAME BOARD TO BOARD CONNECTOR	
TOLERANCES UNLESS OTHERWISE SPECIFIED:		PRODUCT SPEC 108-19398	-	
0 PLC \pm		APPLICATION SPEC	-	
1 PLC $\pm 0,1$		WEIGHT	-	
2 PLC $\pm 0,05$		SIZE A2	CAGE CODE 00779	DRAWING NO C-2042954
3 PLC \pm		RESTRICTED TO	-	
4 PLC \pm		CUSTOMER DRAWING		
ANGLES \pm		SCALE 4:1	SHEET 1 OF 2	REV B
FINISH				

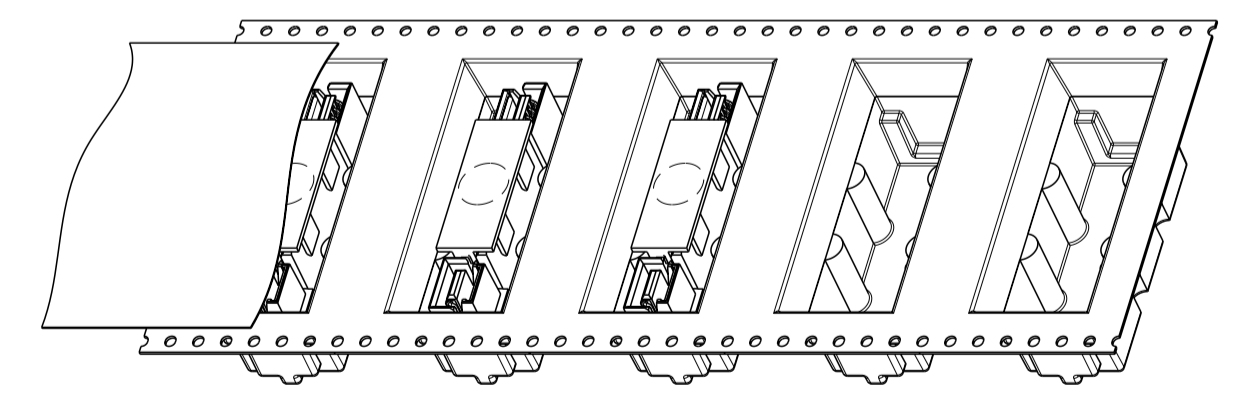
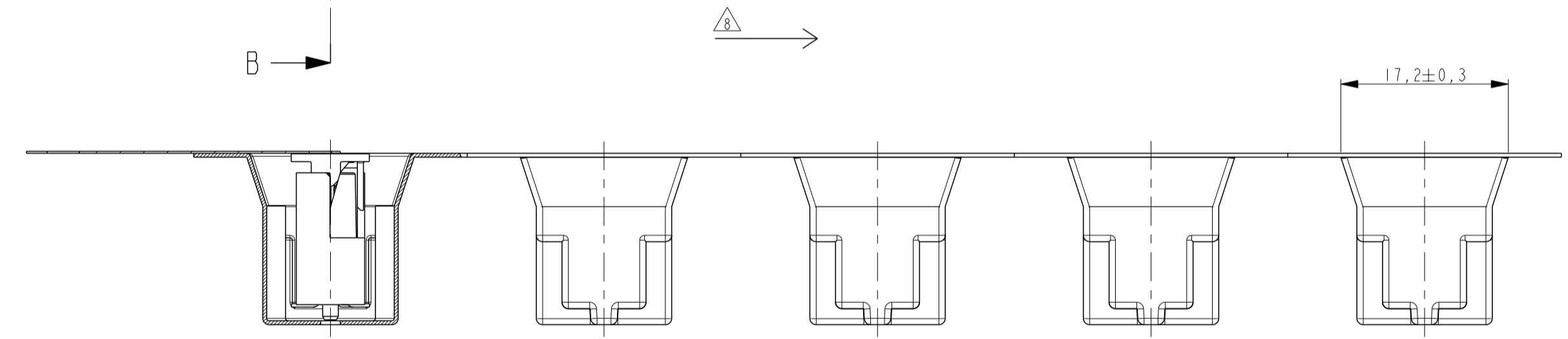
THIS DRAWING IS UNPUBLISHED. RELEASED FOR PUBLICATION
 © COPYRIGHT - BY - ALL RIGHTS RESERVED.

LOC	DIST	REVISIONS			
P	LTR	DESCRIPTION	DATE	DWN	APVD
-	-	SEE SHEET 1	-	-	-

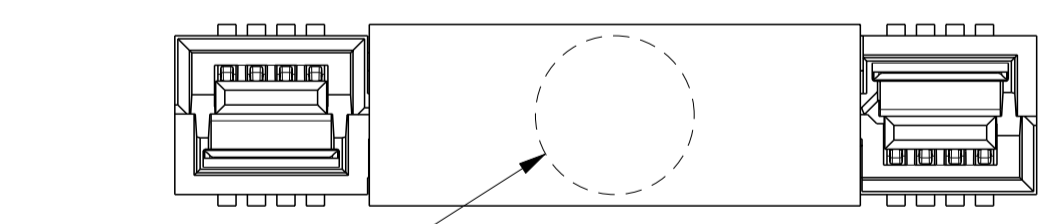


SECTION B-B

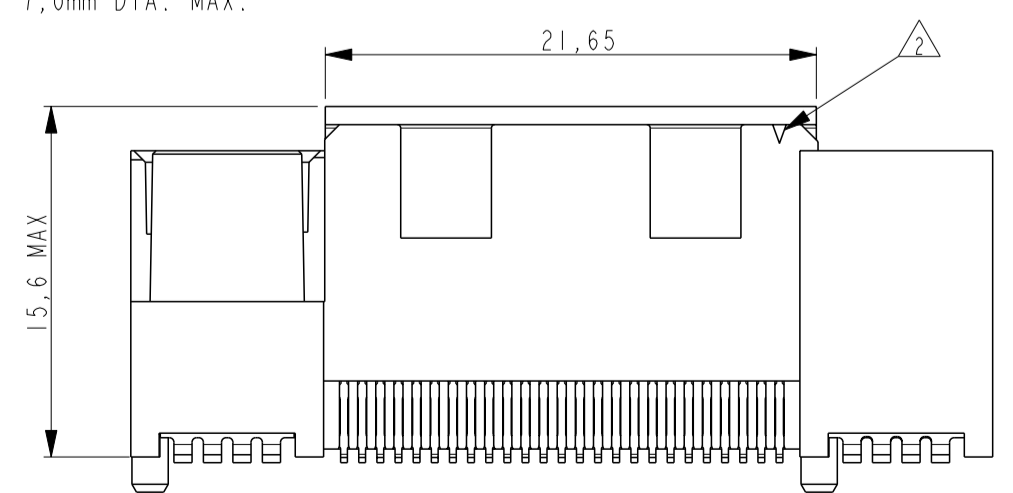
SECTION A-A



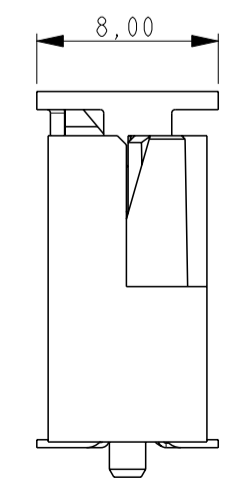
SCALE 1:1



PICK & PLACE AREA
7,0mm DIA. MAX.



SCALE 3:1



WITH PICK AND PLACE ADAPTOR

THIS DRAWING IS A CONTROLLED DOCUMENT.		DWN	28 OCT 2008	TE Connectivity	
		CHK	28 OCT 2008		
DIMENSIONS:		TOLERANCES UNLESS OTHERWISE SPECIFIED:		NAME	
mm	0 PLC ±-	1 PLC ±0,1	2 PLC ±0,05	BOARD TO BOARD CONNECTOR	
	3 PLC ±-	4 PLC ±-	ANGLES ±-	-	
	FINISH ±-	MATERIAL		SIZE	RESTRICTED TO
				A2	-
		MATERIAL		CAGE CODE	DRAWING NO
				00779	2042954
		CUSTOMER DRAWING		SCALE	SHEET
				4:1	2 OF 2
					REV B