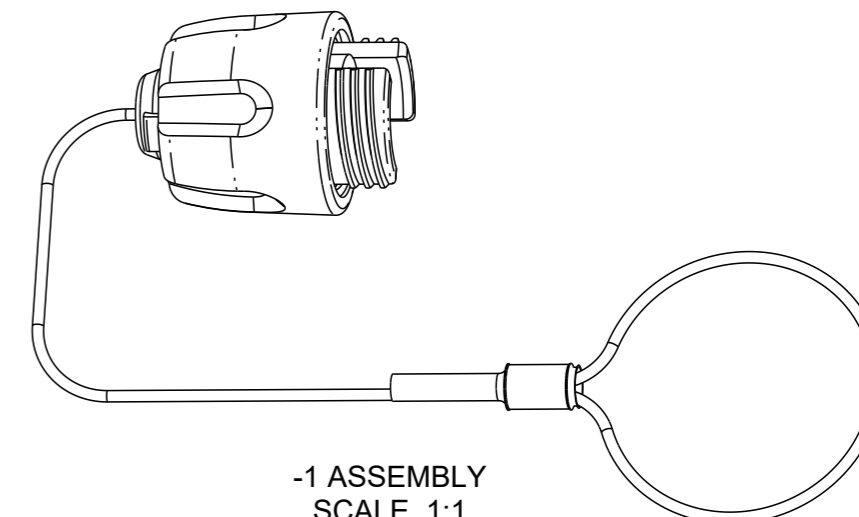
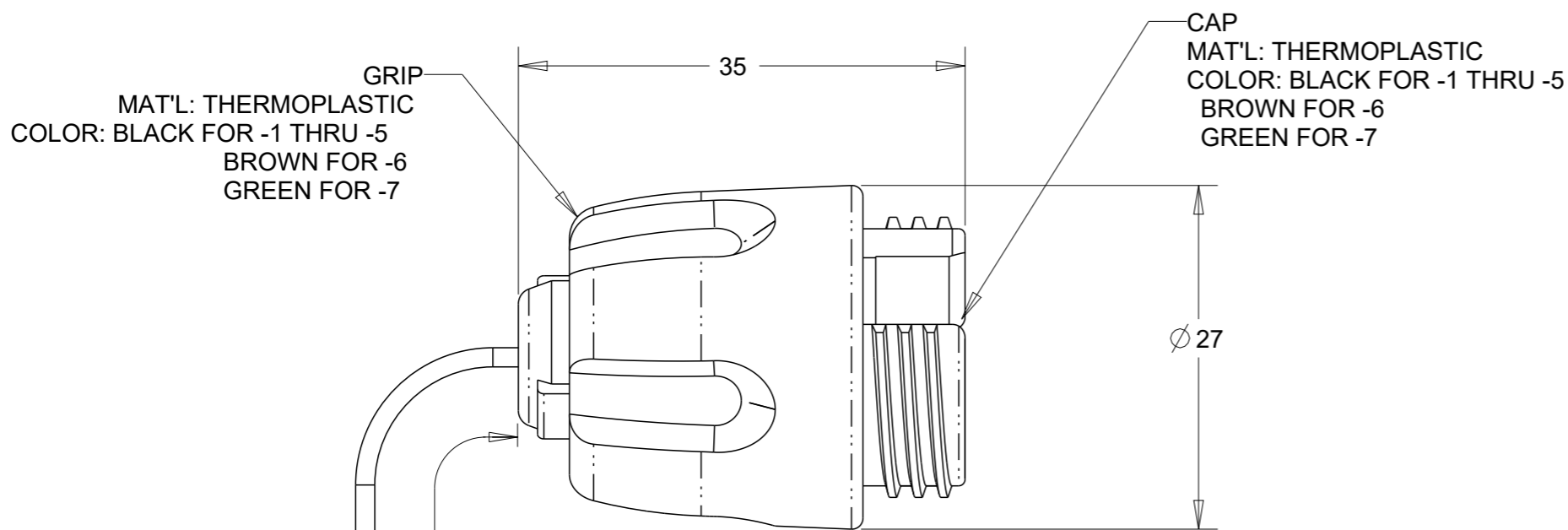


REVISIONS

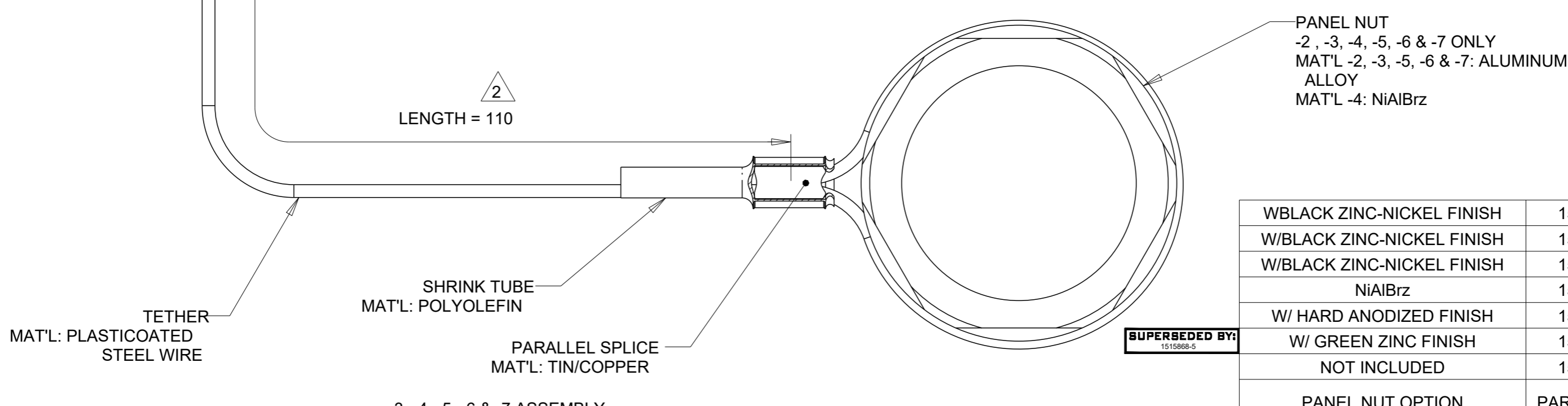
P	LTR	DESCRIPTION	DATE	DWN	APVD
	H	ECR-15-011044	13AUG2015	KG	DW
	J	ECR-19-008989	17JUN2019	TS	DW
	J1	ECR-20-007401	08JUL2020	TS	DW

1. DIMENSIONS ARE FOR REFERENCE ONLY.

2. DIMENSIONED TO CENTER OF PARALLEL SPLICE.



2. LENGTH = 110



SUPERSEDED BY:
1515868-5

W/BLACK ZINC-NICKEL FINISH	1515868-7
W/BLACK ZINC-NICKEL FINISH	1515868-6
W/BLACK ZINC-NICKEL FINISH	1515868-5
NiAlBrz	1515868-4
W/ HARD ANODIZED FINISH	1515868-3
W/ GREEN ZINC FINISH	1515868-2
NOT INCLUDED	1515868-1
PANEL NUT OPTION	PART NUMBER

THIS DRAWING IS A CONTROLLED DOCUMENT.

DIMENSIONS:	TOLERANCES UNLESS OTHERWISE SPECIFIED:
mm	
0 PLC	±
1 PLC	±
2 PLC	±
3 PLC	±
4 PLC	±
ANGLES	±
MATERIAL	FINISH
AS LISTED	-
-	-

DWN	14OCT2002
CHK	K.GLATFELTER
APVD	15OCT2002
APVD	D. WERTMAN
PRODUCT SPEC	-
APPLICATION SPEC	-
WEIGHT	-
Customer Drawing	

STE TE Connectivity

NAME
PROTECTIVE CAP FOR BULKHEAD PRO BEAM JR.

SIZE	CAGE CODE	DRAWING NO	RESTRICTED TO
A3	00779	C-1515868	-

SCALE 1:1 SHEET 1 OF 1 REV J1