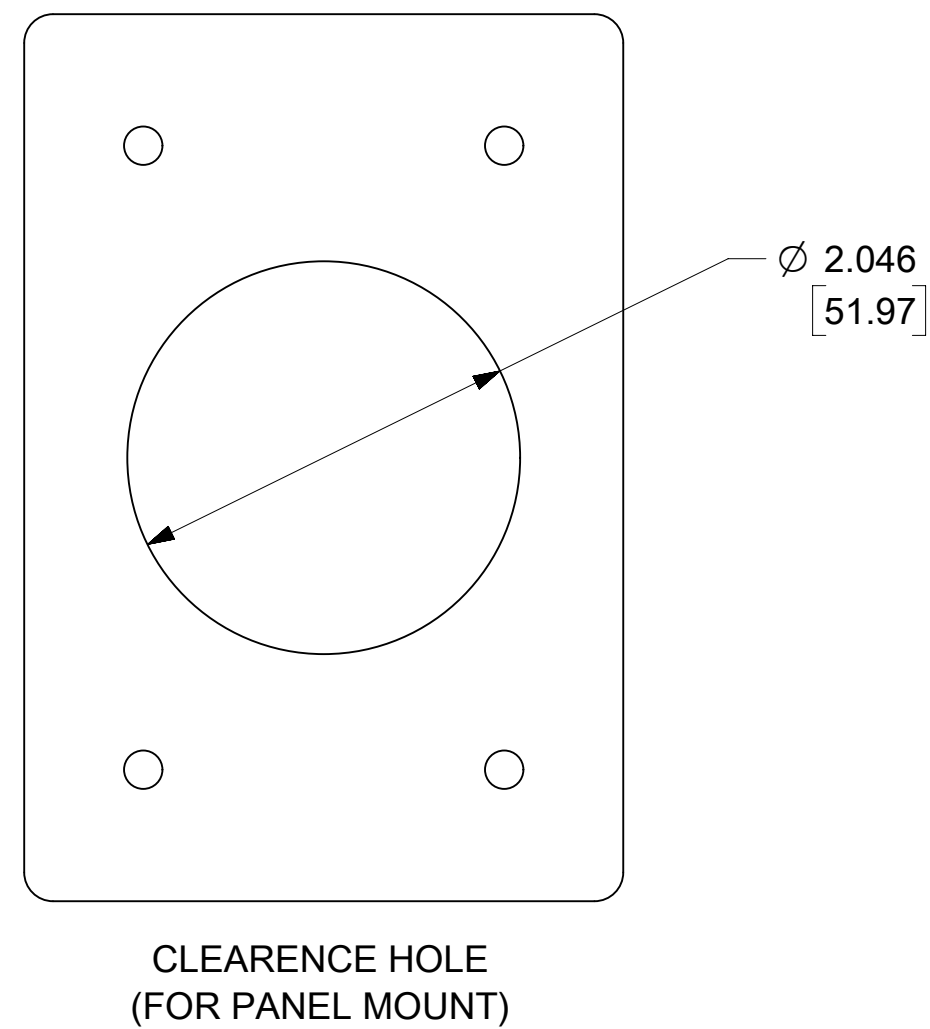
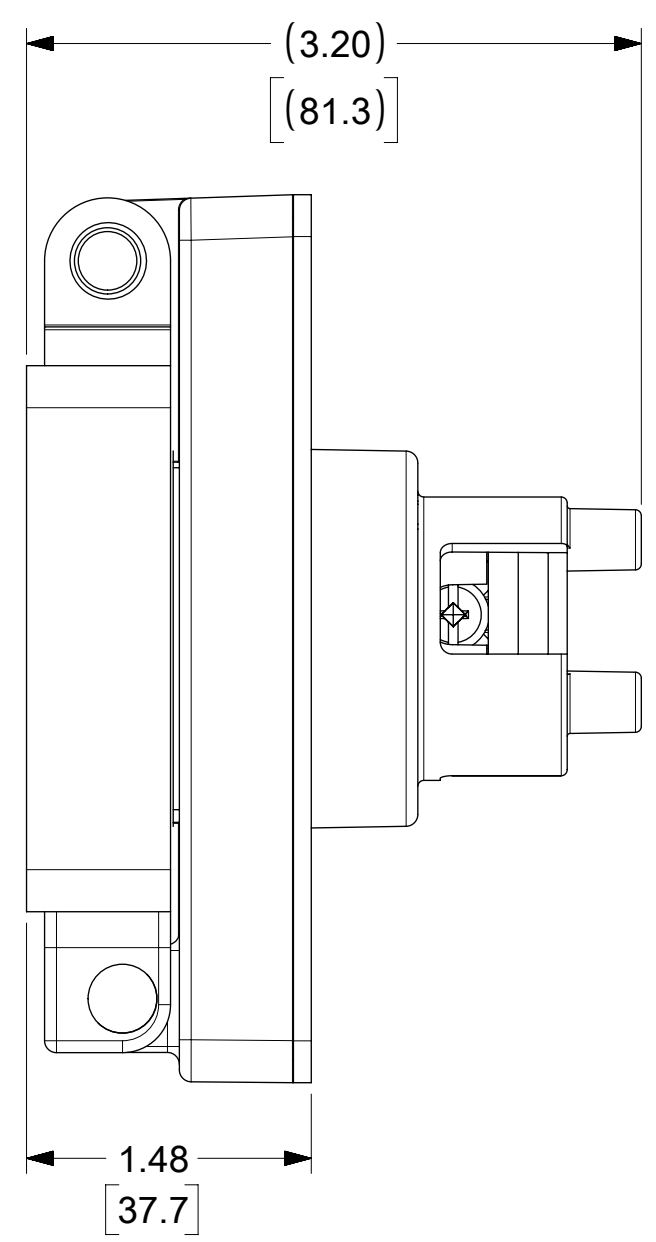
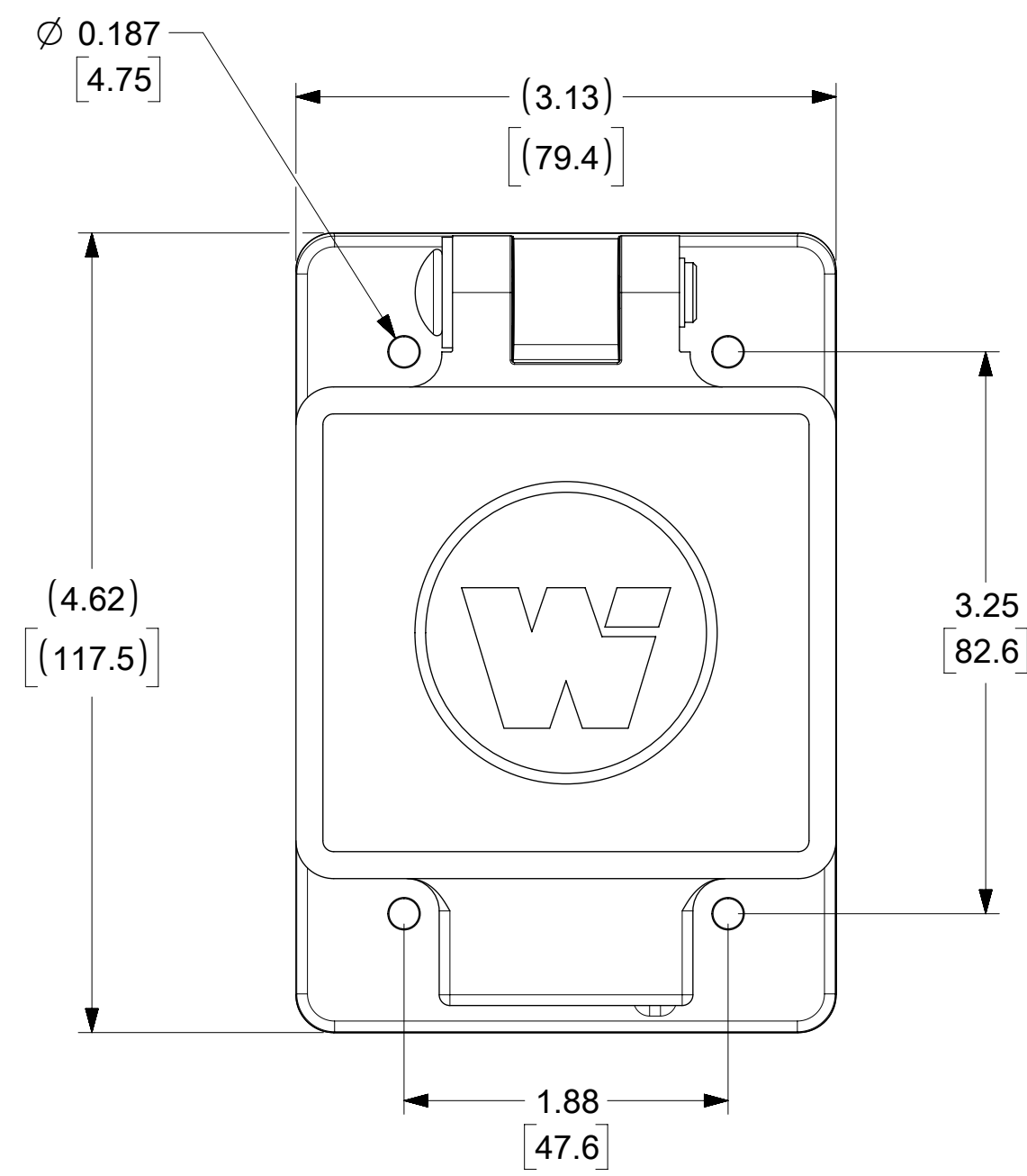
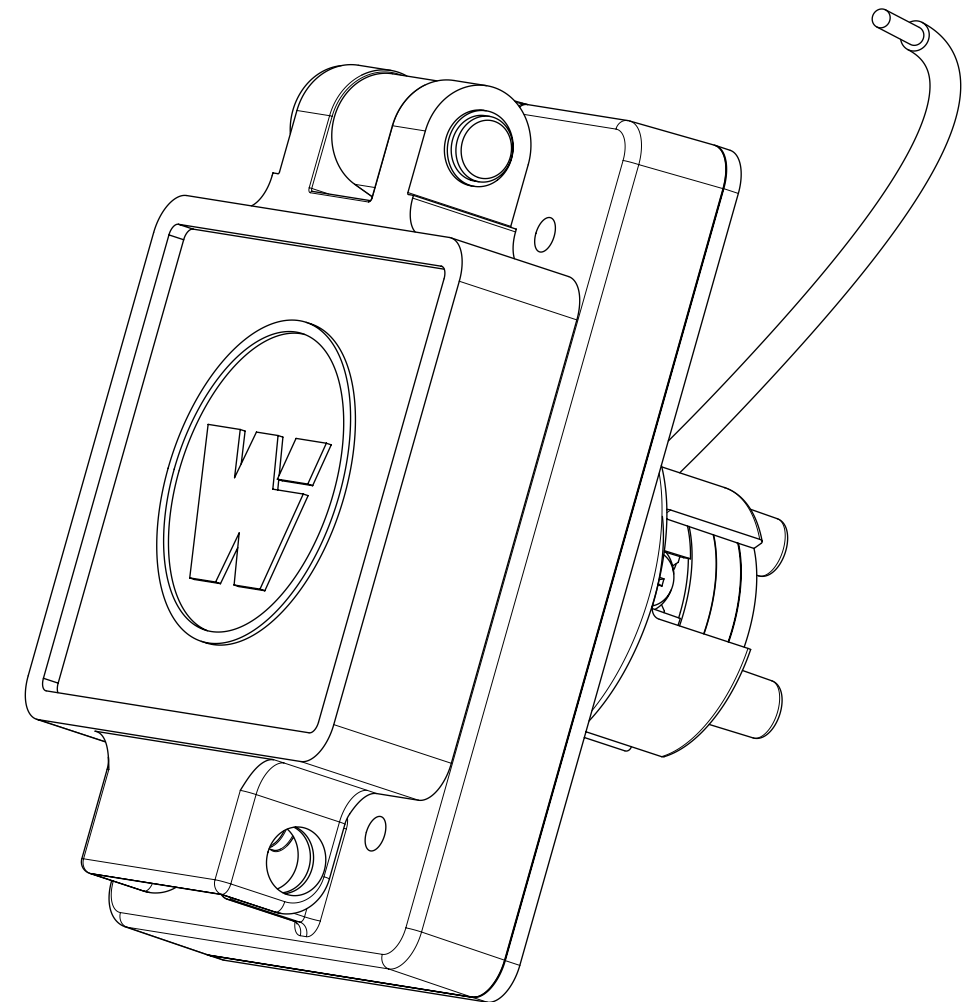
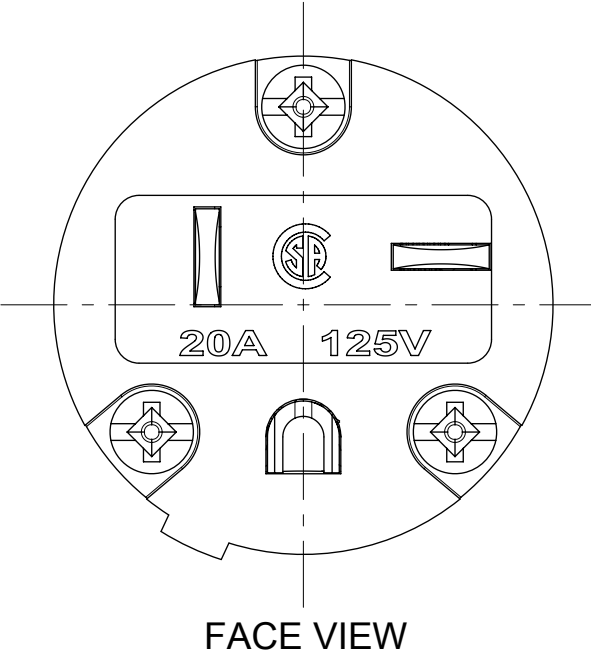


ORDER NO.	WOODHEAD NO.	COLOR
130146-0115	59W33	YELLOW



DESCRIPTION	MATERIAL	QTY.
BLADES	BRASS, NICKEL PLATED	3
RETAINING SCREWS	STAINLESS STEEL	3
CLAMP AND TERMINAL SCREW ASSY.	BRASS, ZINC PLATED	3
MALE INSERT	NYLON	1
TERMINAL COVER	POLYCARBONATE	1
COVER ASSEMBLY	POLYCARBONATE, STAINLESS STEEL, ALUMINUM	1
GASKET FLIP	NEOPRENE	1
MOTOR BASE MTG ASSY	POLYCARBONATE, STAINLESS STEEL, BRASS	1
SCREW (GROUND WIRE)	STAINLESS STEEL	1
JUMPER WIRE ASSY	COPPER, BRASS (TINNED FINISH)	1

THIS DRAWING CONTAINS INFORMATION THAT IS PROPRIETARY TO MOLEX ELECTRONIC TECHNOLOGIES, LLC AND SHOULD NOT BE USED WITHOUT WRITTEN PERMISSION									
SYMBOLS		DIMENSION UNITS		SCALE		CURRENT REV DESC: MIGRATE TO ECTR/NX			
∇ = 0	INCH	[MM]	NTS						
∇ = 0	GENERAL TOLERANCES (UNLESS SPECIFIED)								
∇ = 0		MM	INCH						
∇ = 0	4 PLACES	±	±			EC NO: 613337			
∇ = 0	3 PLACES	±	±			DRWN: SRPATIL 2018/12/17			
∇ = 0	2 PLACES	±	±			CHK'D: DNGUYEN62 2019/03/12			
∇ = 0	1 PLACE	±	±			APPR: HKNEELAND 2019/03/18			
∇ = 0	0 PLACES	±	±			INITIAL REVISION:			
∇ = 0	ANGULAR TOL	±	°			DRWN: SRPATIL 2018/12/17			
∇ = 0	DRAFT WHERE APPLICABLE MUST REMAIN WITHIN DIMENSIONS			THIRD ANGLE PROJECTION		DRAWING SERIES		MATERIAL NUMBER	
						C-SIZE	130146	SEE TABLE	GENERAL MARKET

molex

WATERTITE MOTORBASE COVERPLATE 2P3W 5-20

PRODUCT CUSTOMER DRAWING

DOCUMENT NUMBER	DOC TYPE	DOC PART	REVISION
1301460115	PSD	000	A

MATERIAL NUMBER	CUSTOMER	SHEET NUMBER
SEE TABLE	GENERAL MARKET	1 OF 1